

easicook.co.uk

Spare Parts Manual

Leading UK Distributors
of Catering Equipment Since 1977

Sales - Repairs - Spares

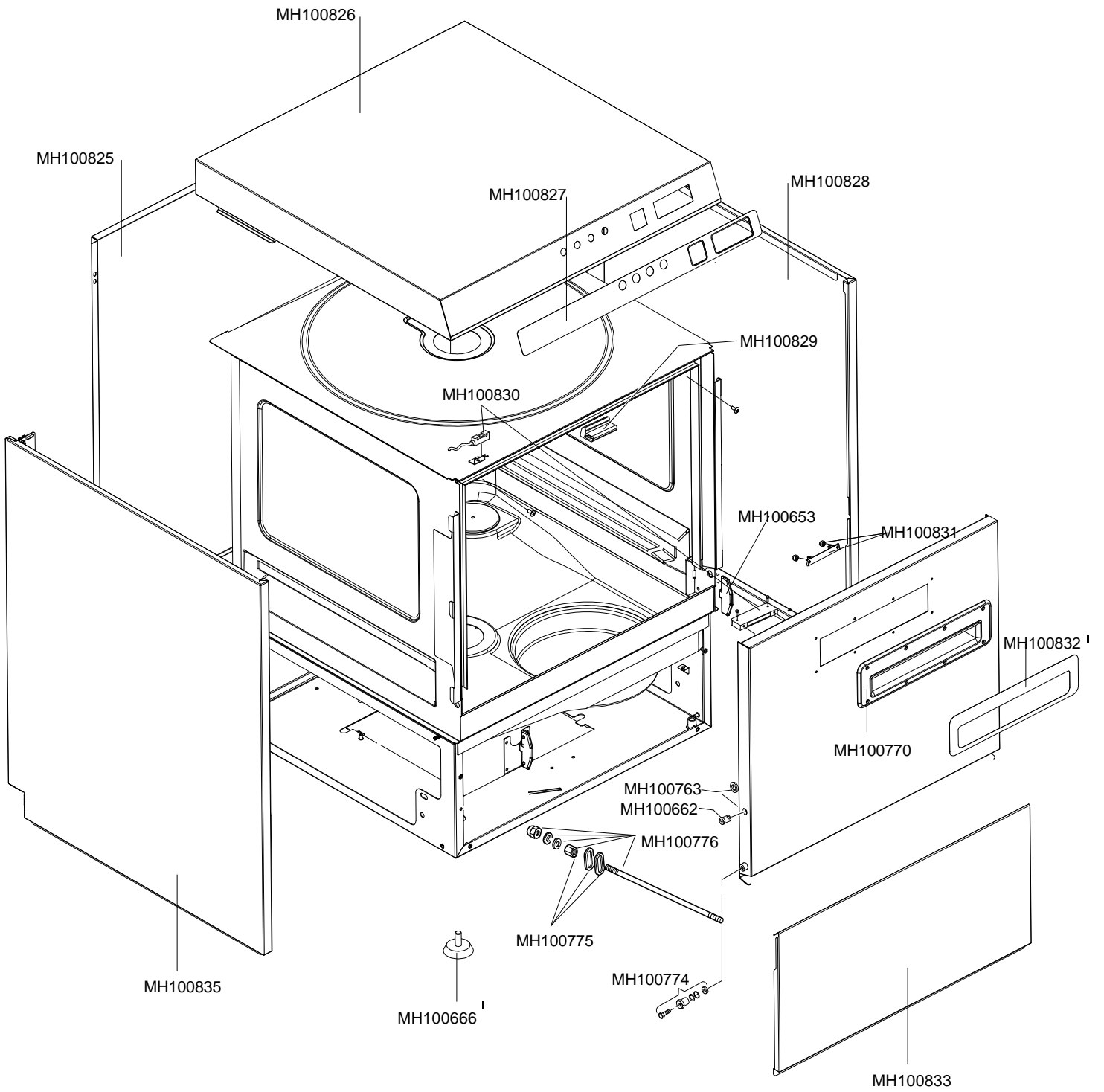
Tel: 029 20747567

Fax: 029 20214100

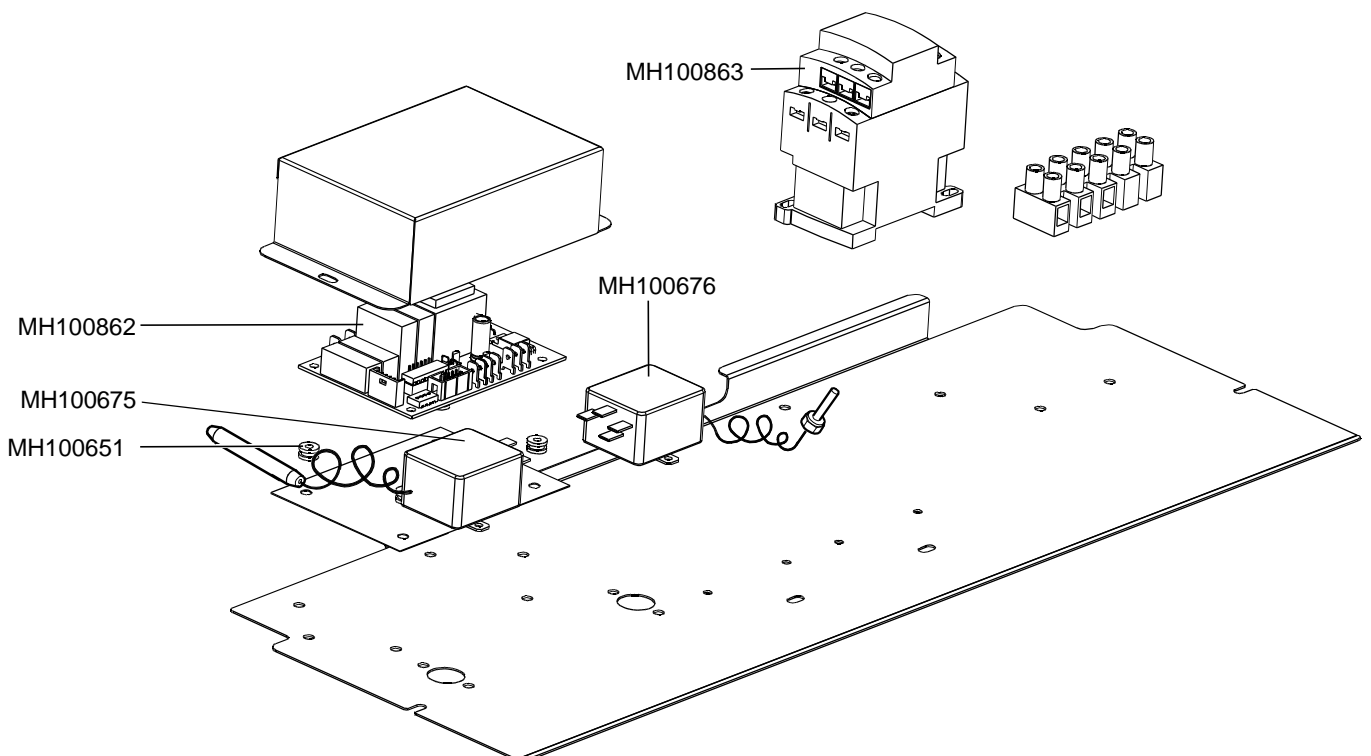
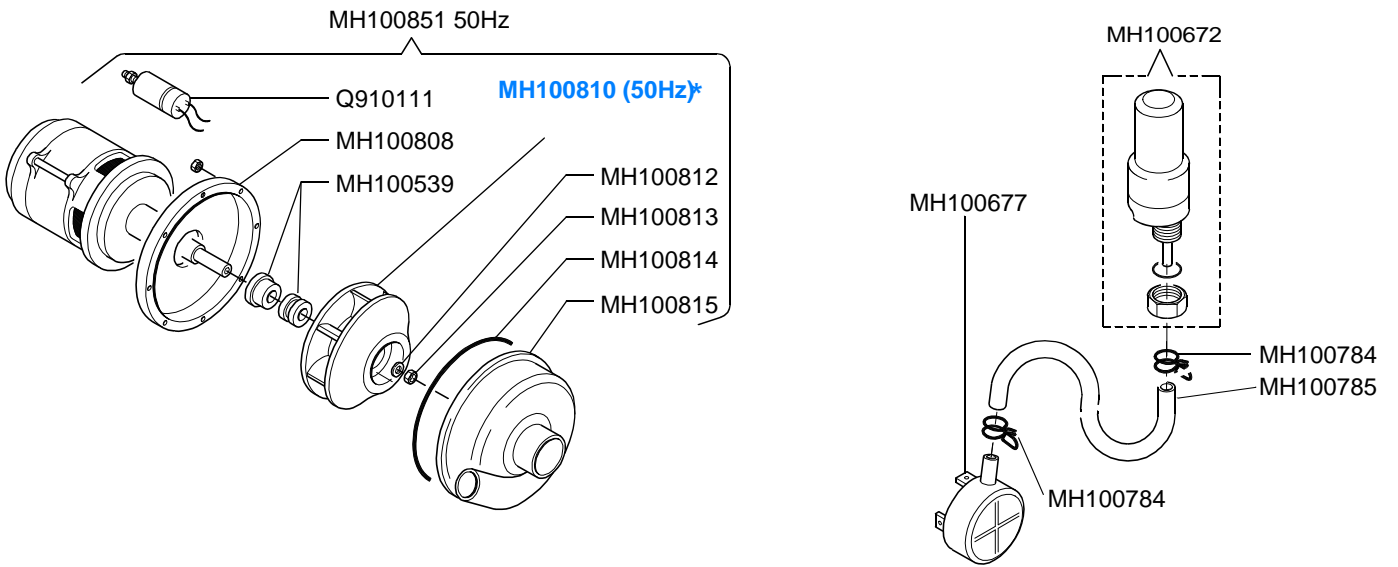
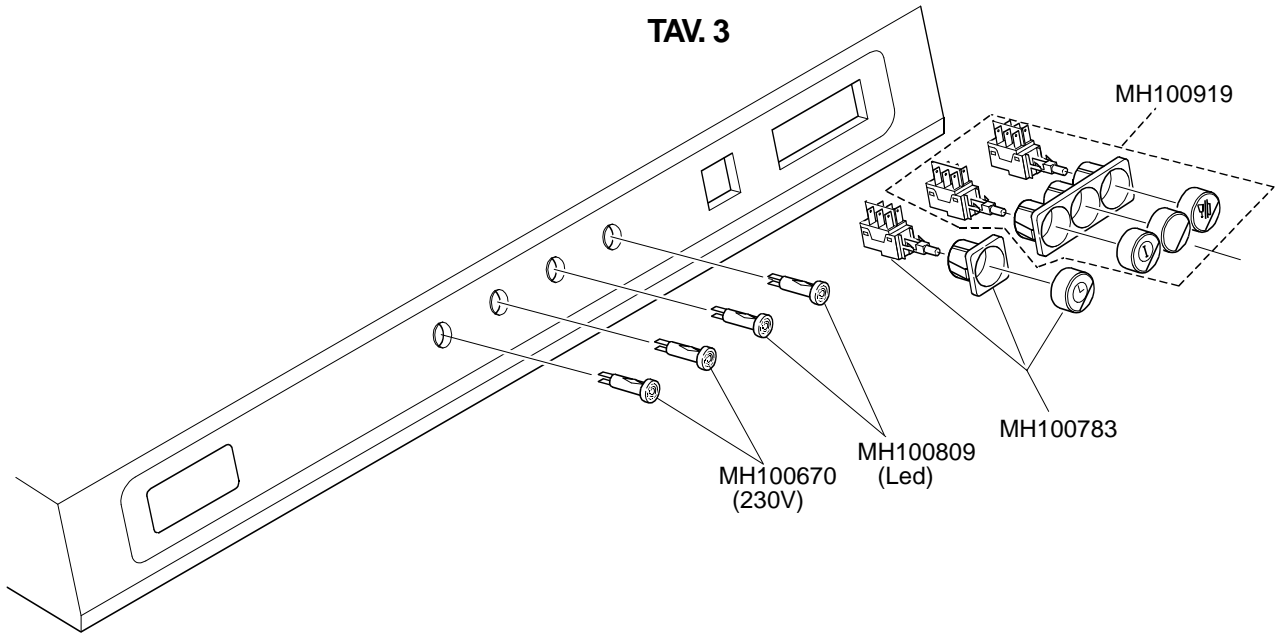
Email: info@easicook.co.uk

[Click Here for Live Online Chat](#)

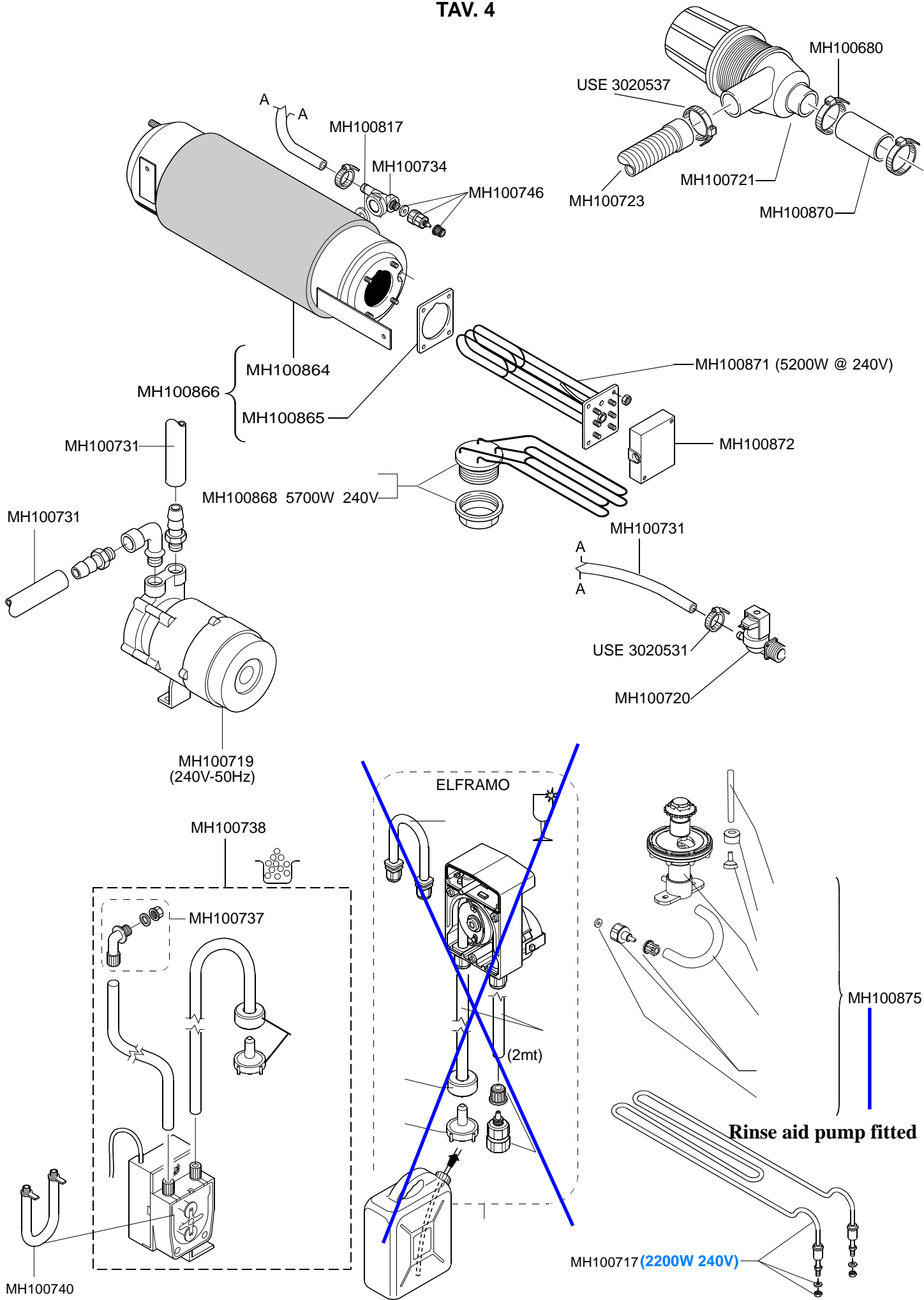
TAV. 1



TAV. 3



TAV. 4



TAV. 4 (ELT. BT-BA)

