

easicook.co.uk

Spare Parts Manual

Leading UK Distributors
of Catering Equipment Since 1977

Sales - Repairs - Spares

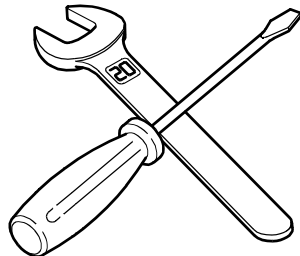
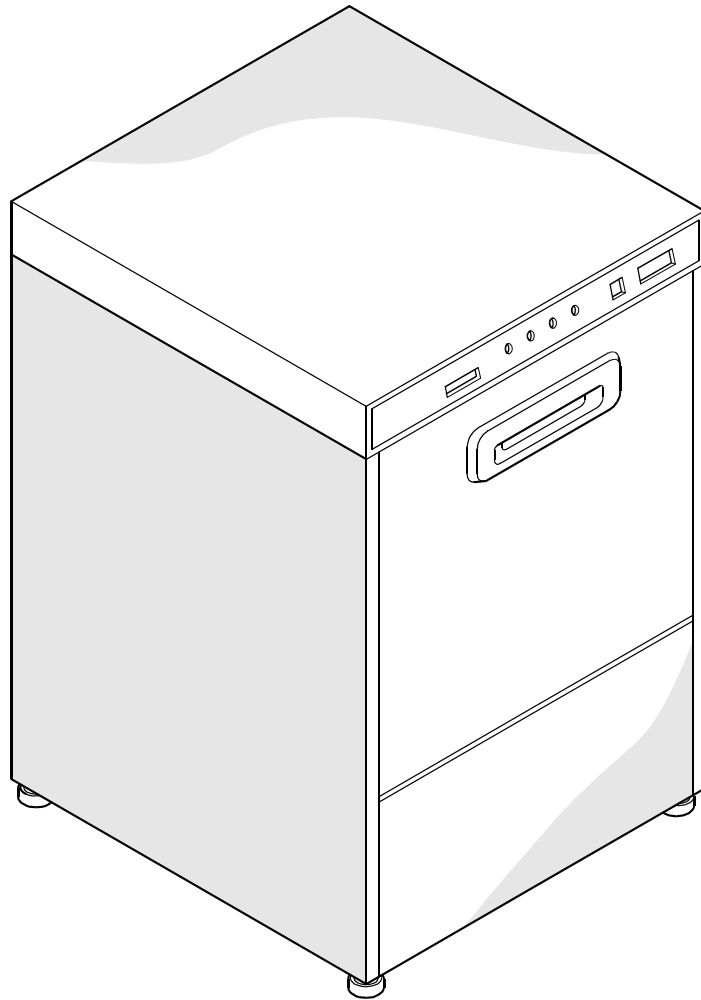
Tel: 029 20747567

Fax: 029 20214100

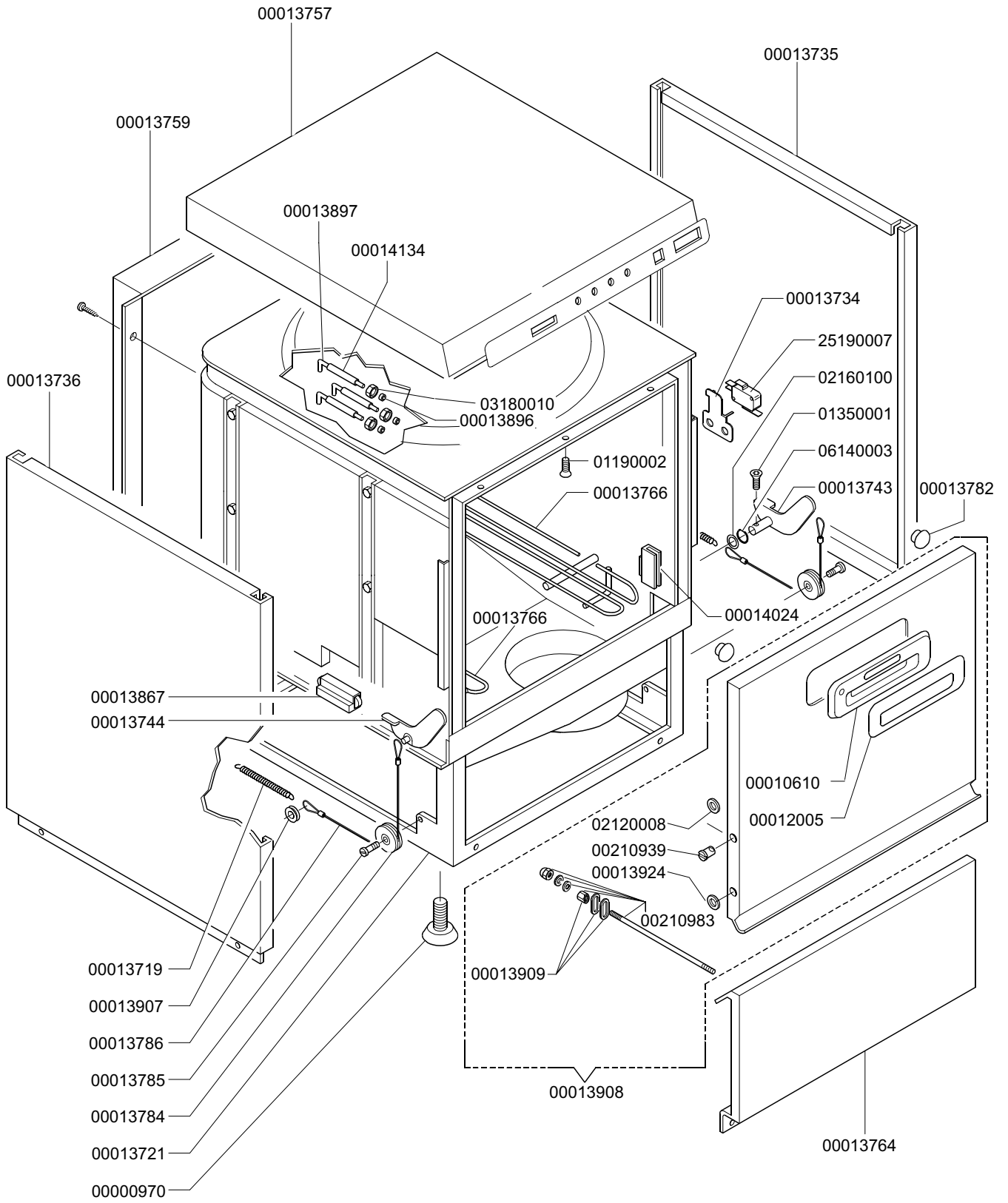
Email: info@easicook.co.uk

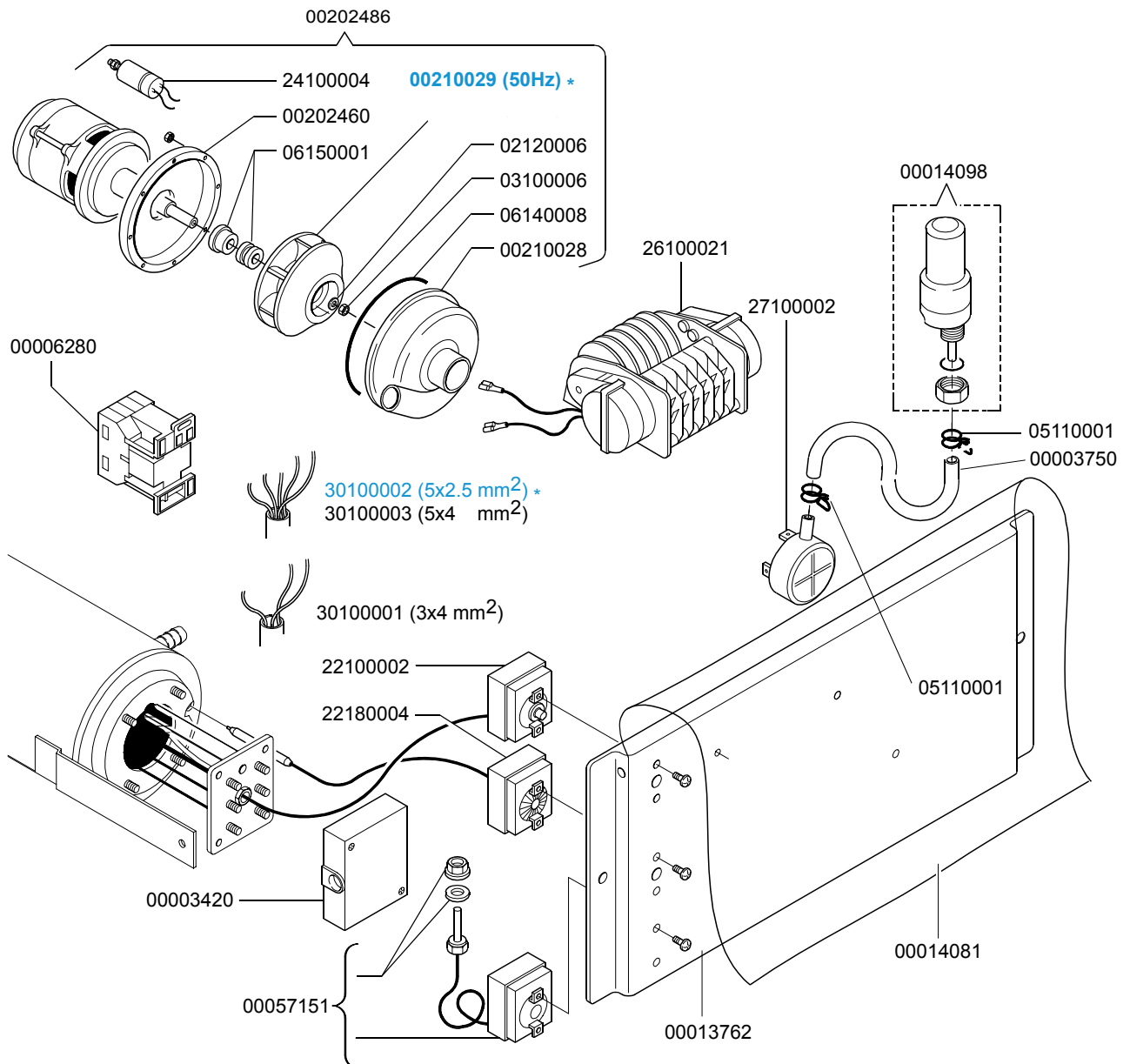
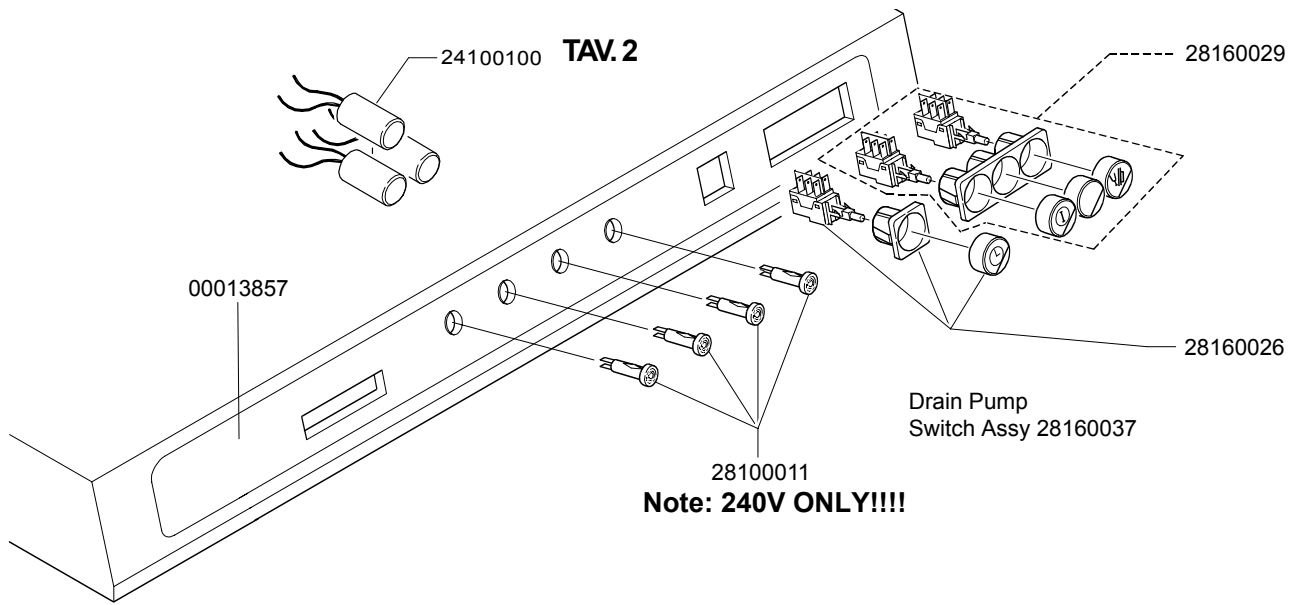
[Click Here for Live Online Chat](#)

MRS80

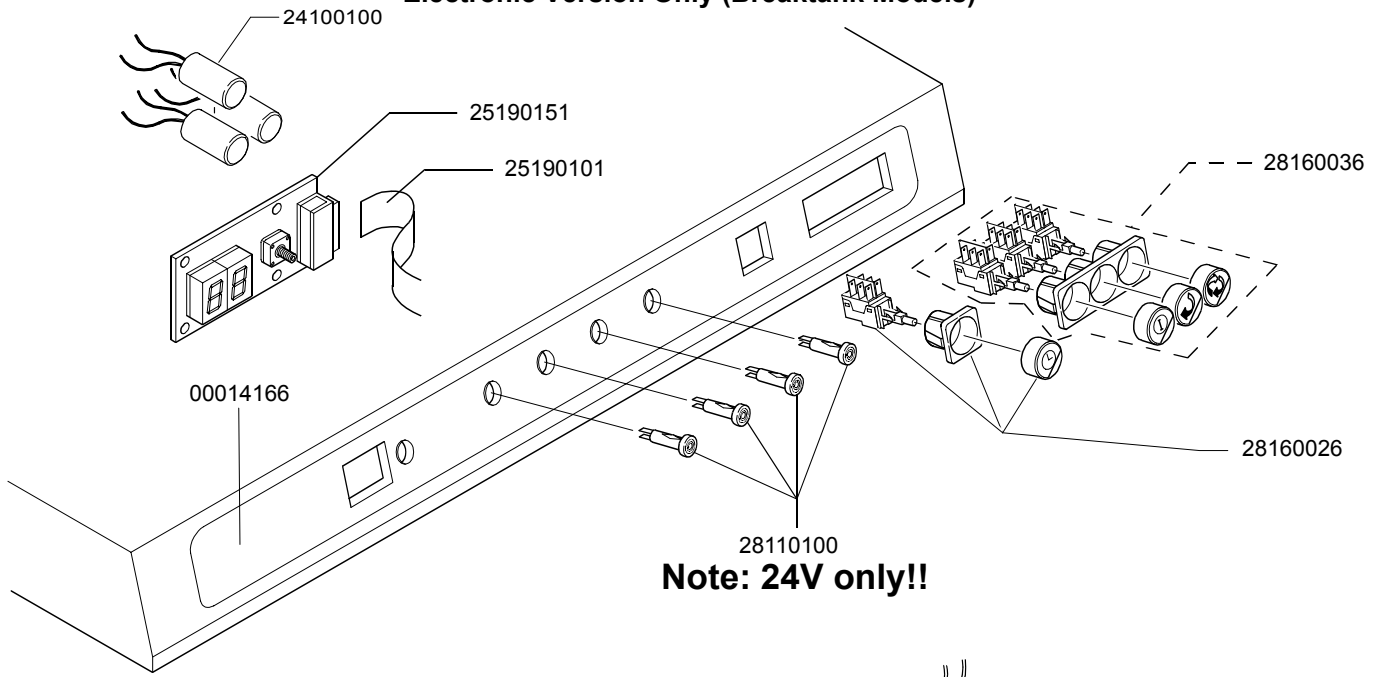


TAV. 1

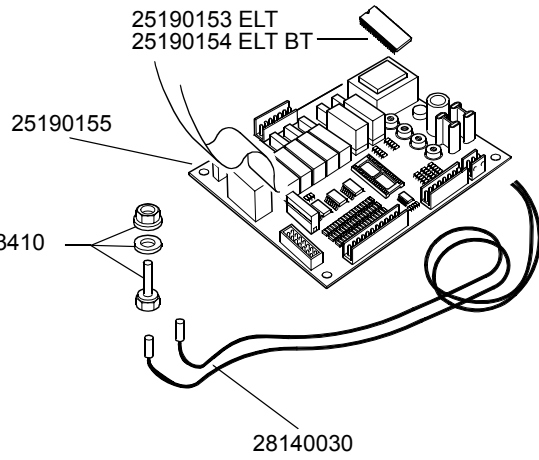
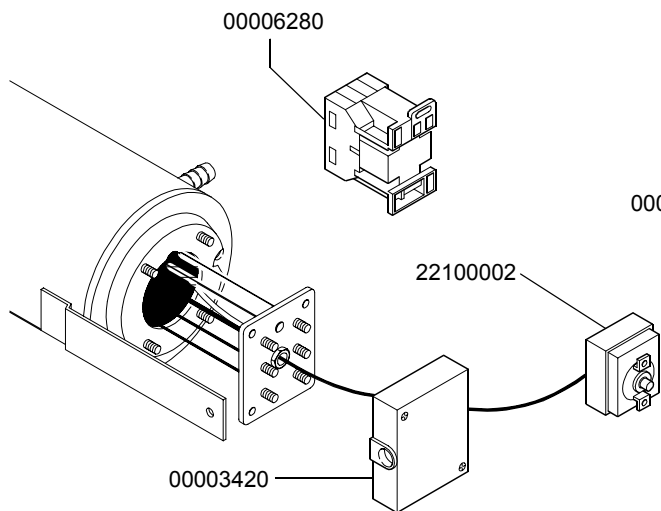
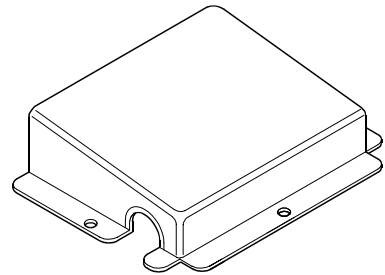
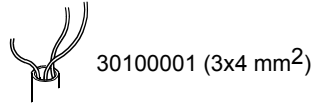
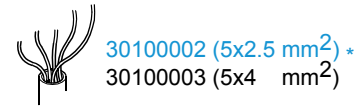
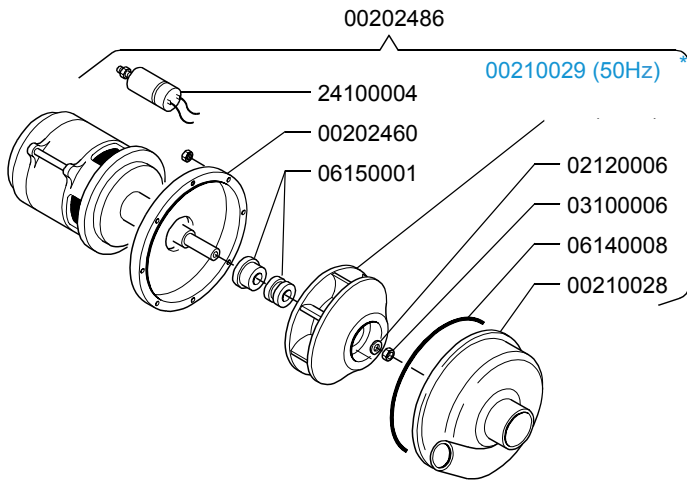




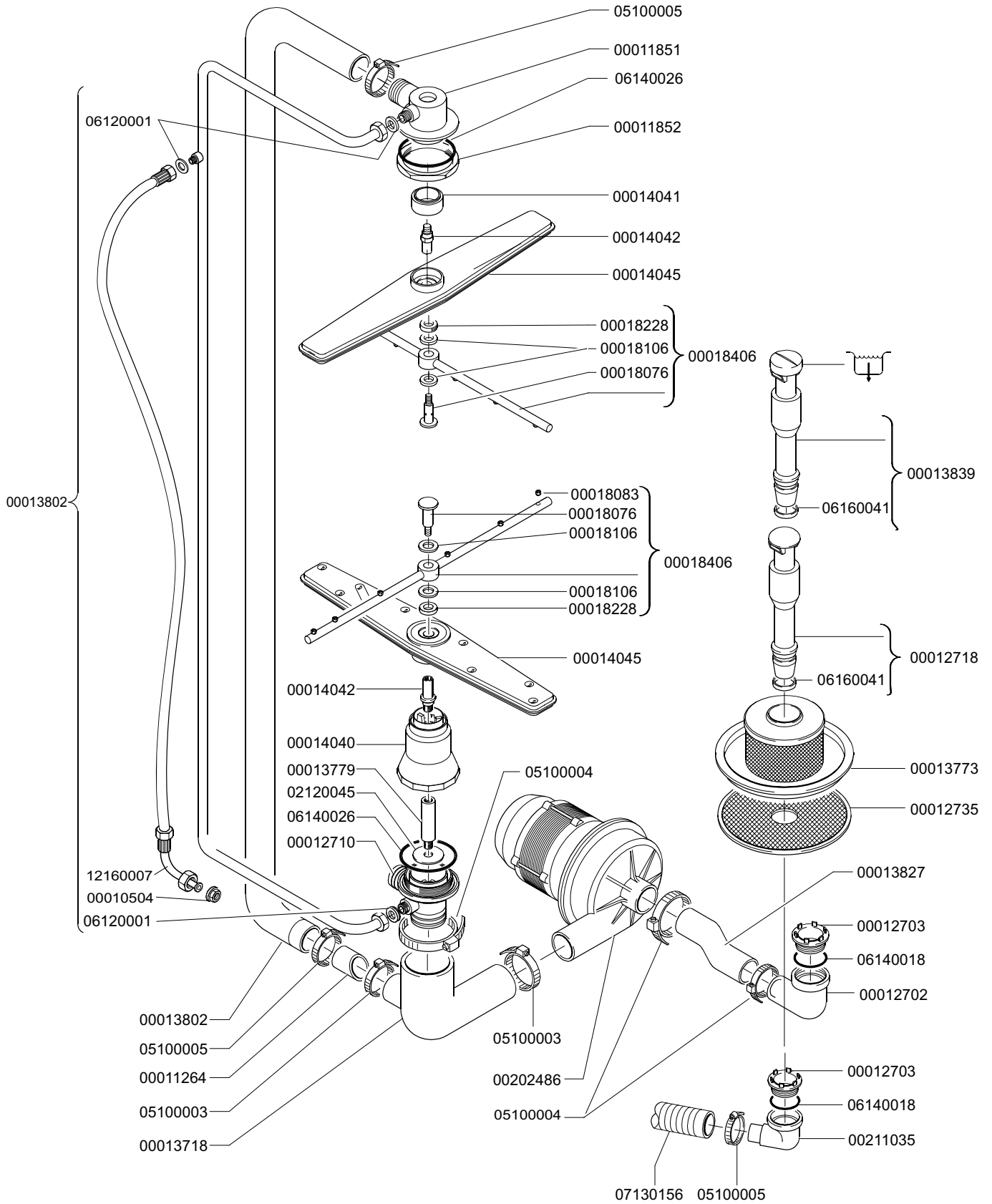
TAV.2 (MRS80BT) Electronic Version Only (Breaktank Models)



Note: 24V only!!

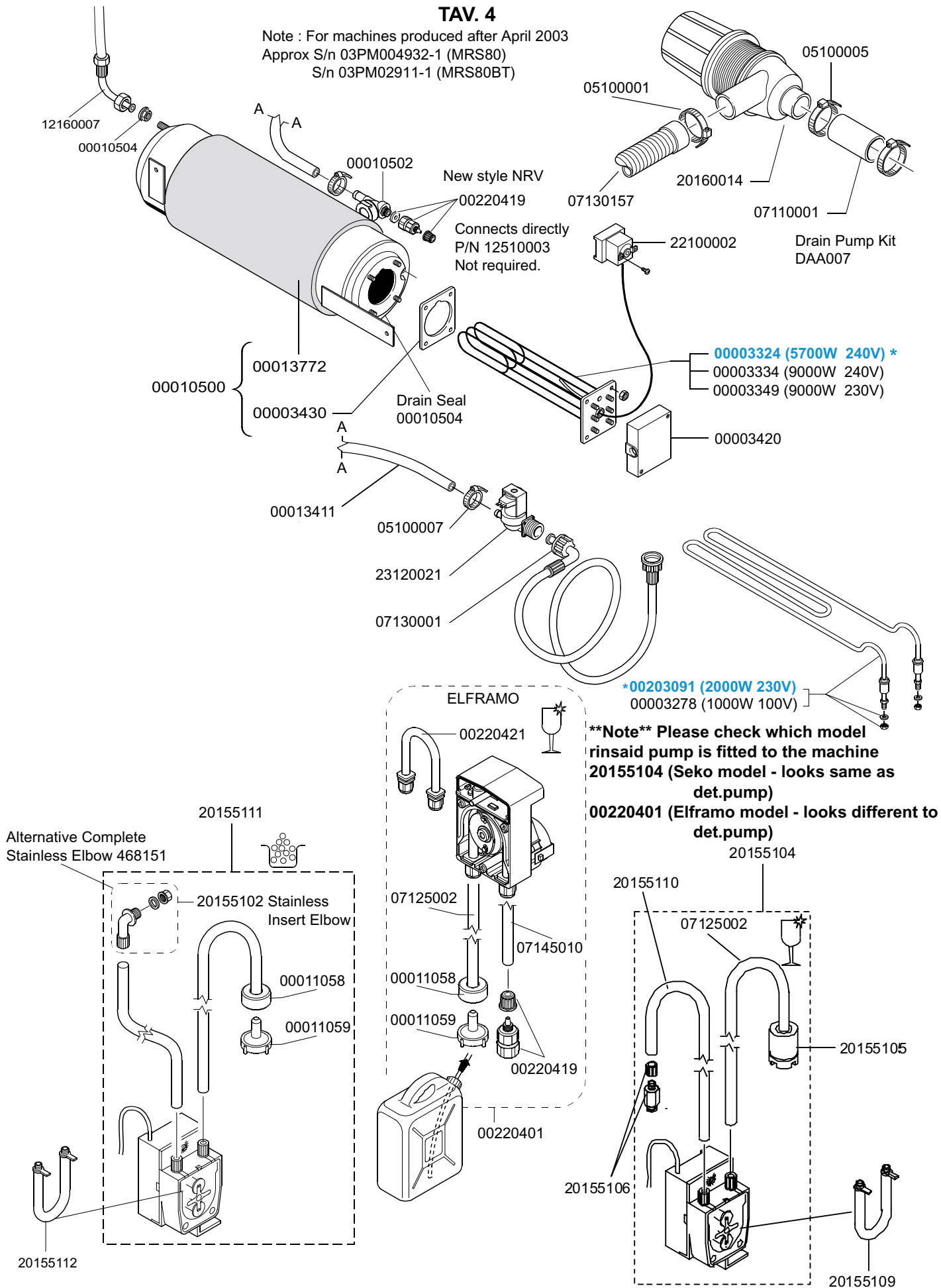


TAV.3



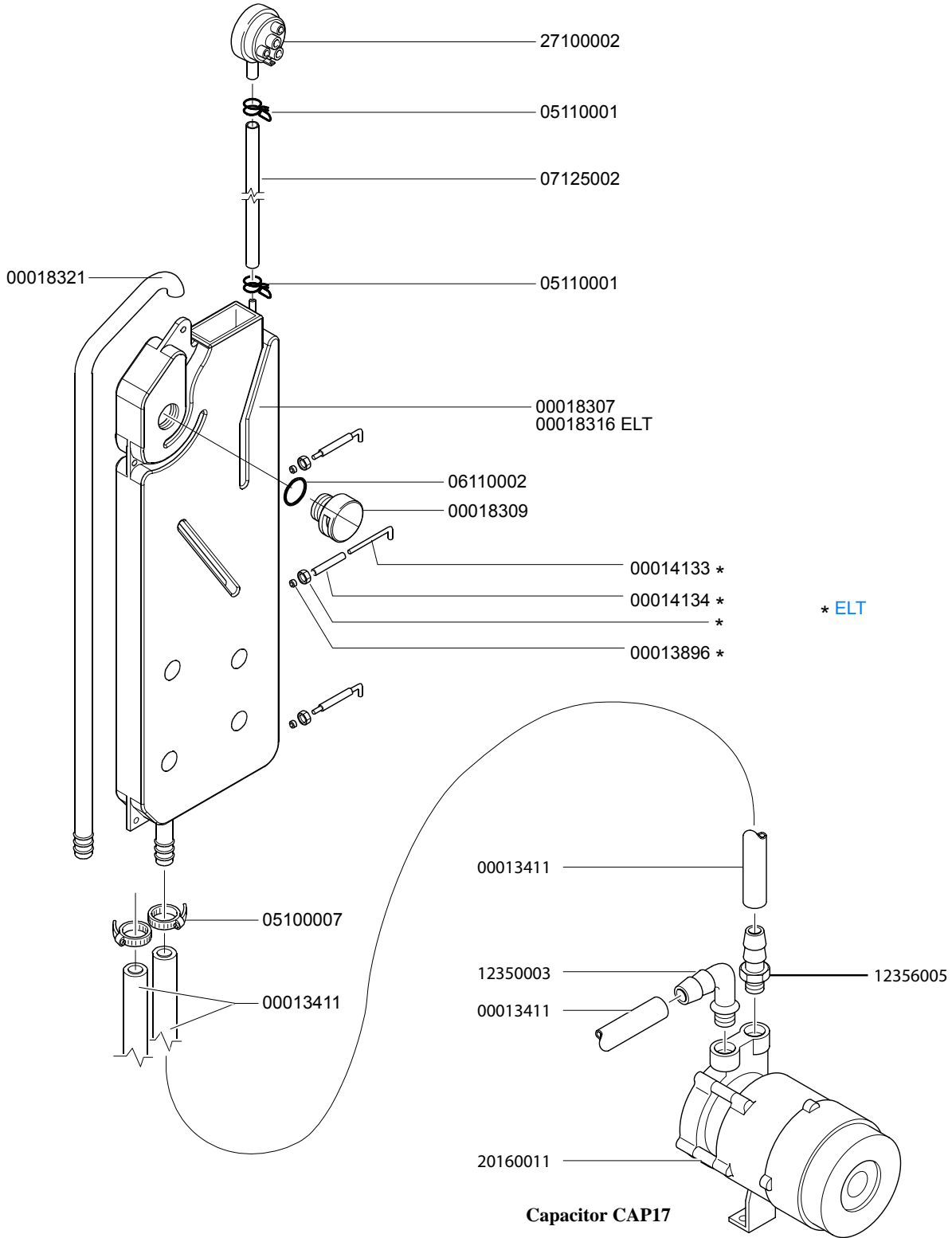
TAV. 4

Note : For machines produced after April 2003
 Approx S/n 03PM004932-1 (MRS80)
 S/n 03PM02911-1 (MRS80BT)



20155112

TAV. 5



TAV.6

