

# easicook.co.uk

## Spare Parts Manual

Leading UK Distributors  
of Catering Equipment Since 1977

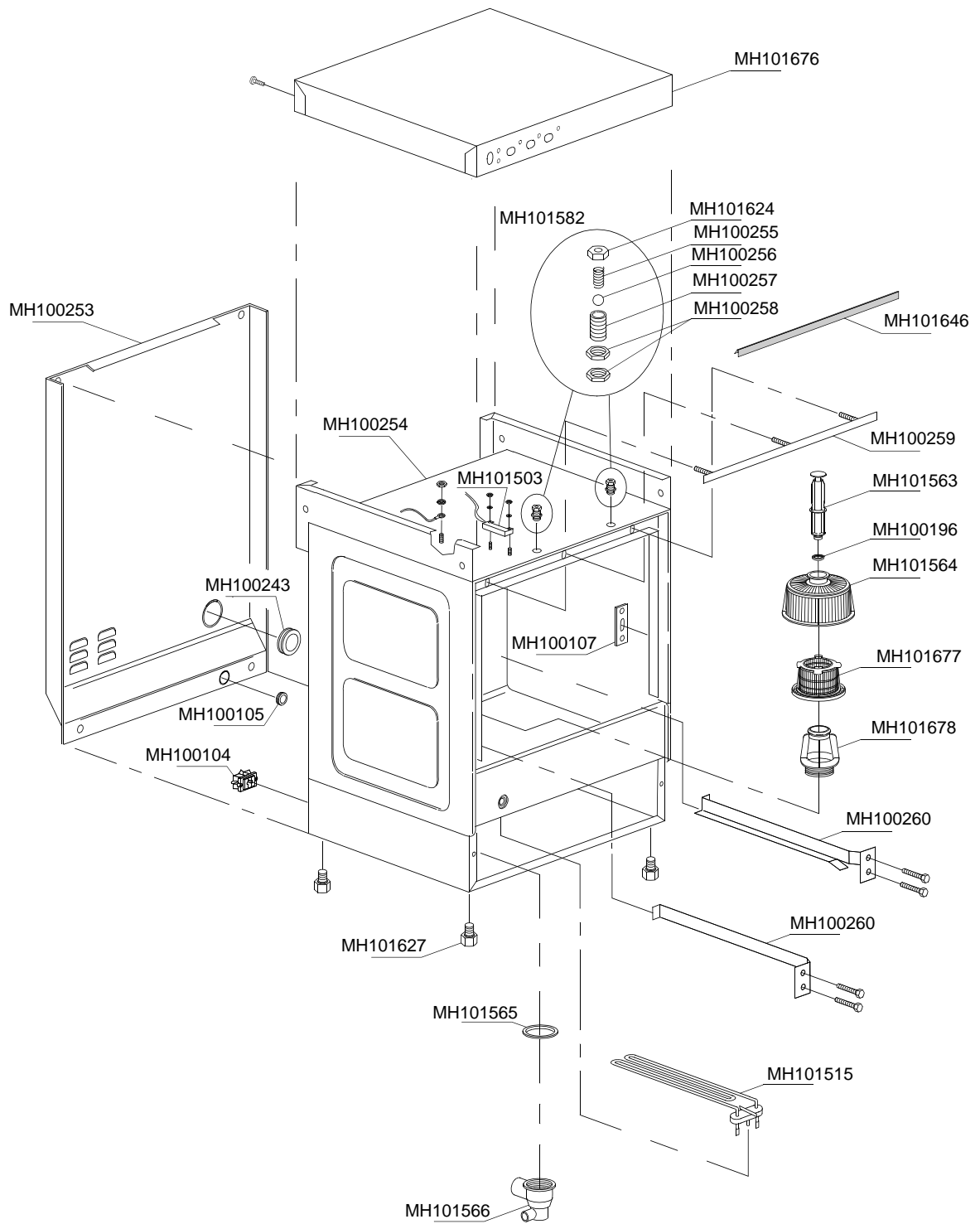
Sales - Repairs - Spares

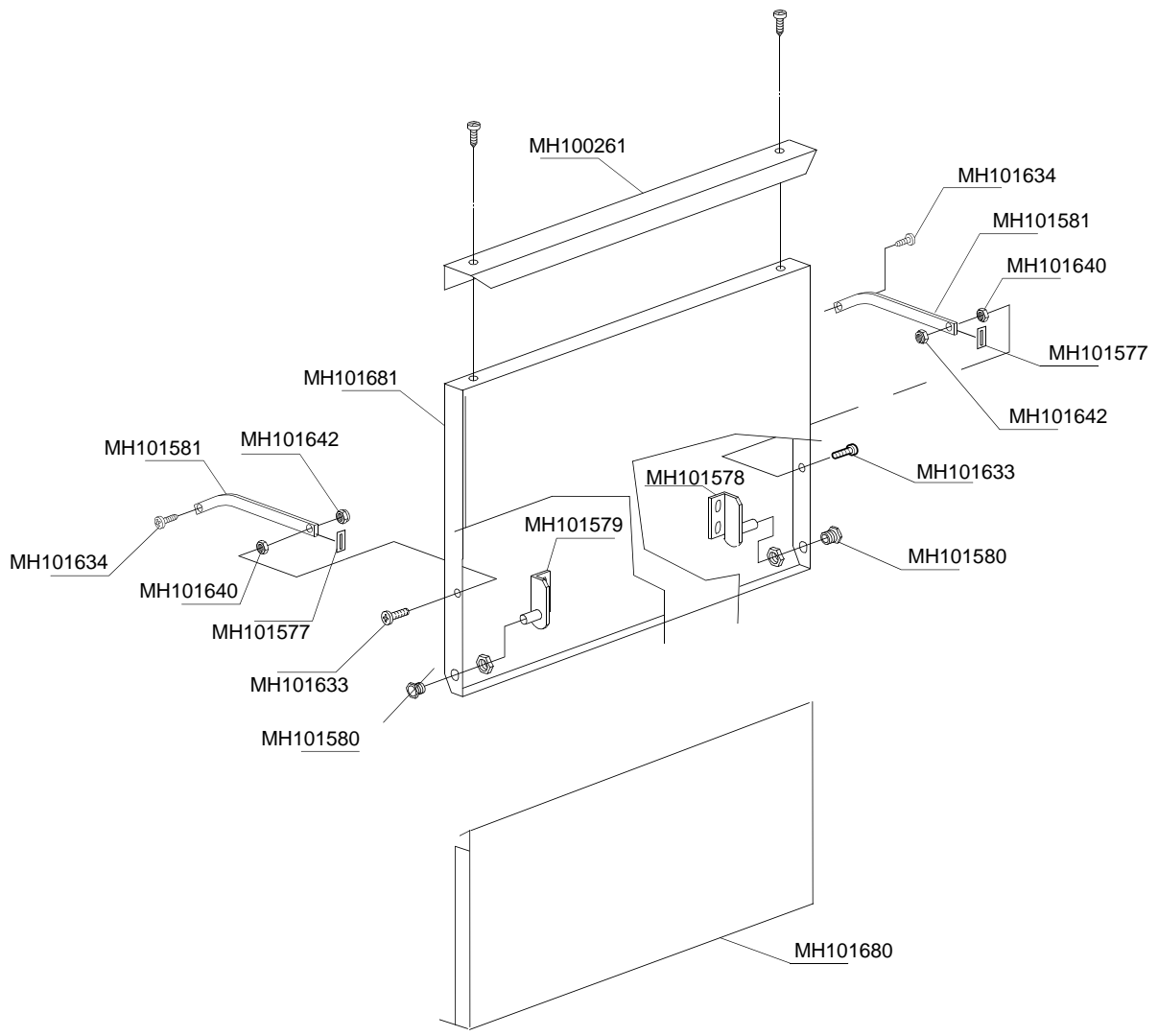
Tel: 029 20747567

Fax: 029 20214100

Email: [info@easicook.co.uk](mailto:info@easicook.co.uk)

[Click Here for Live Online Chat](#)



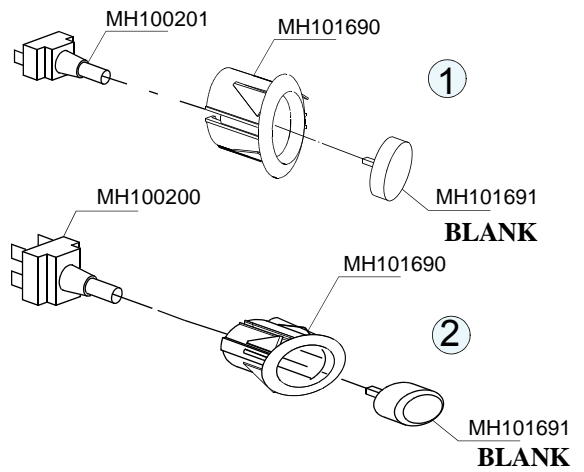
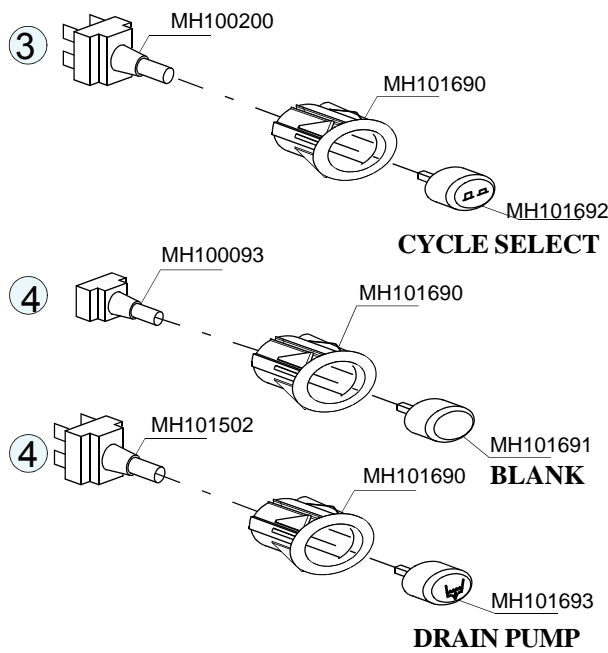
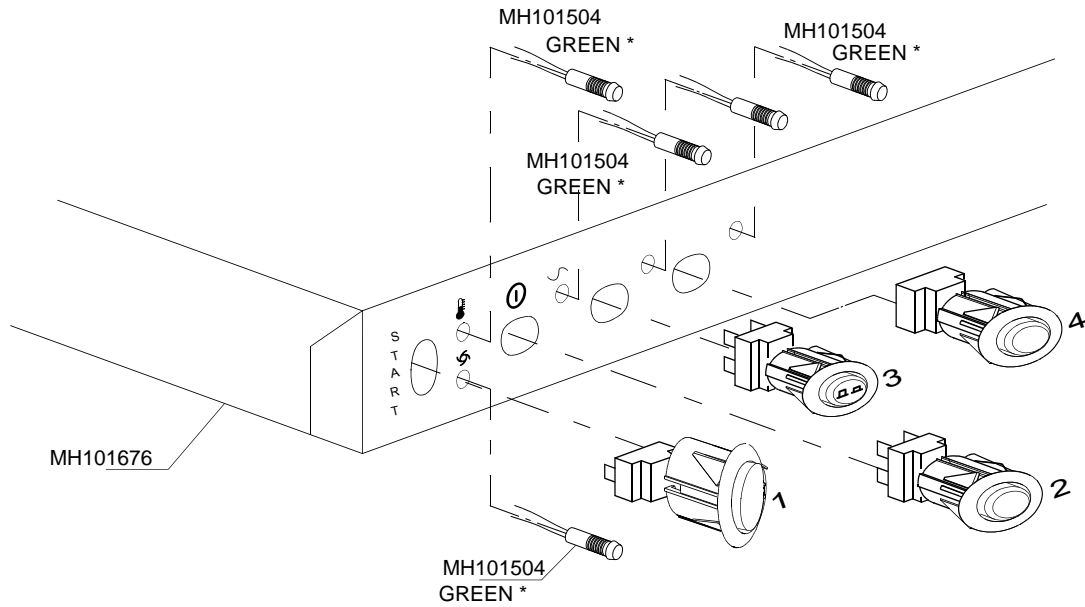


\* NOTE From November 2006

Lamps maybe 2 part CLEAR

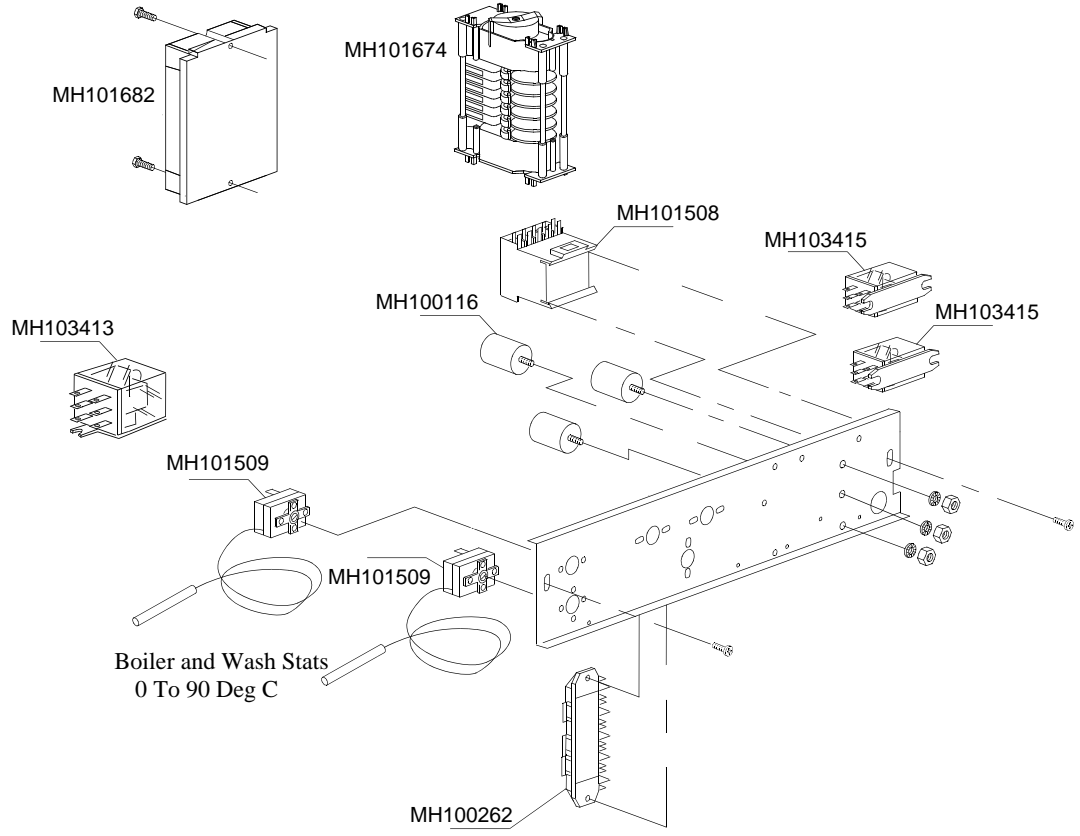
1 Lamp Holder MH100300

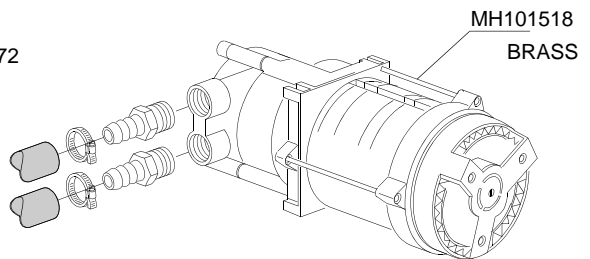
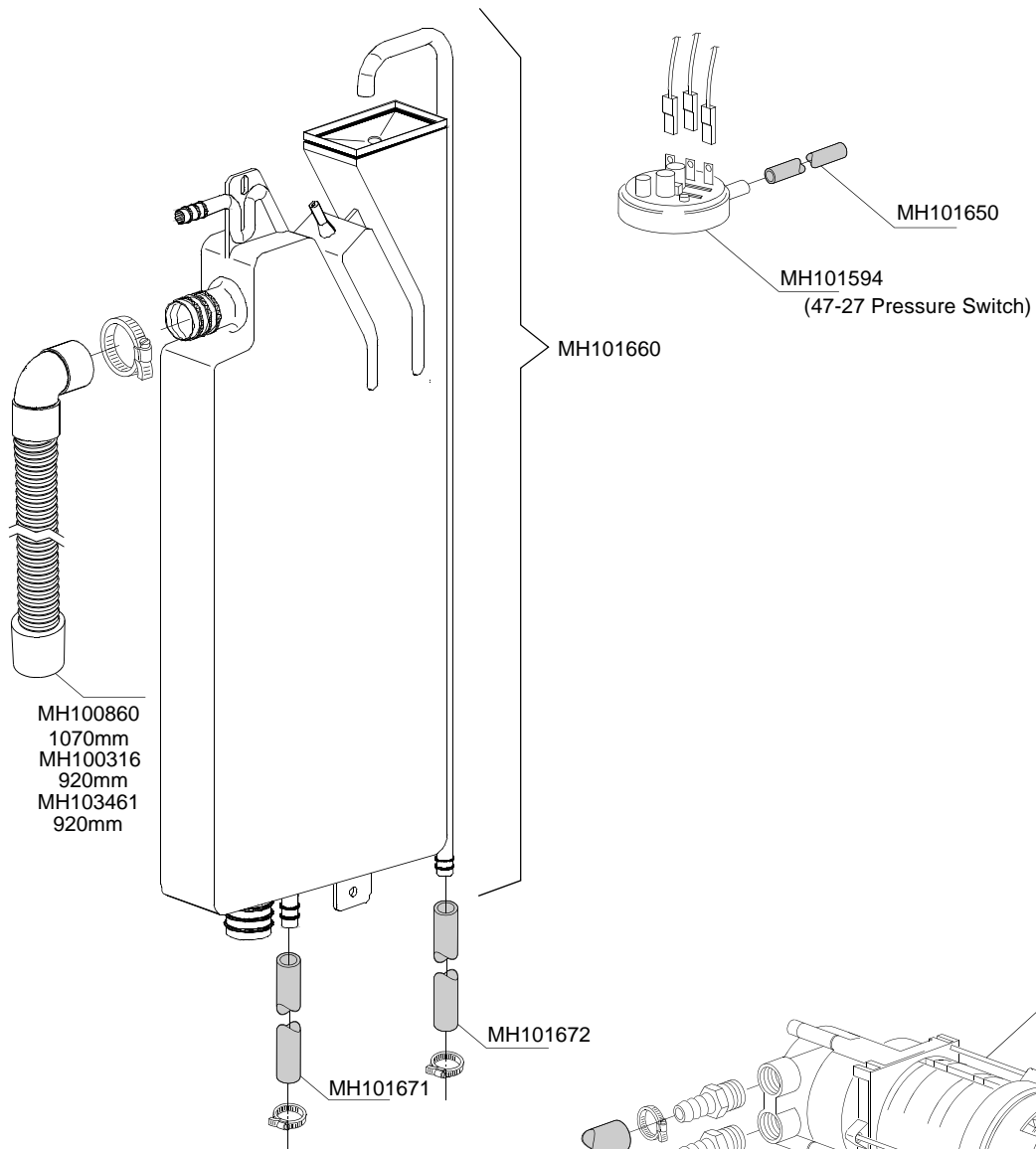
2 Lamp clear MH100301



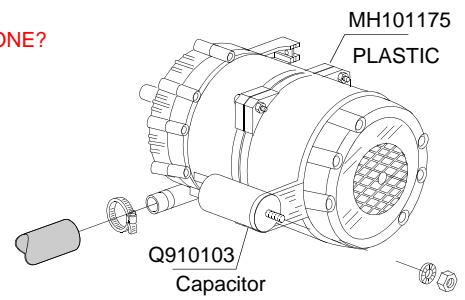
DRAIN PUMP MODEL TIMER

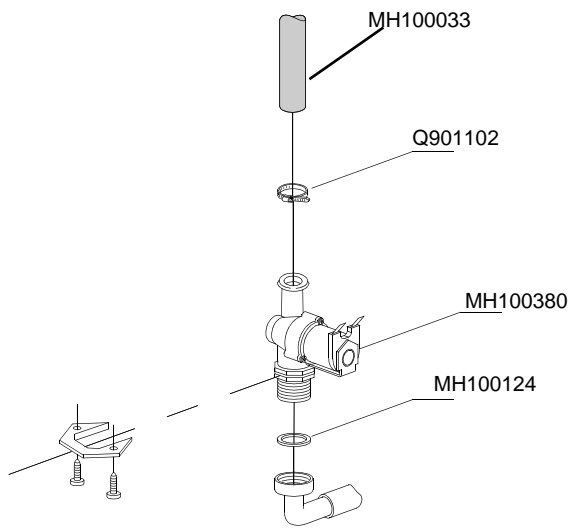
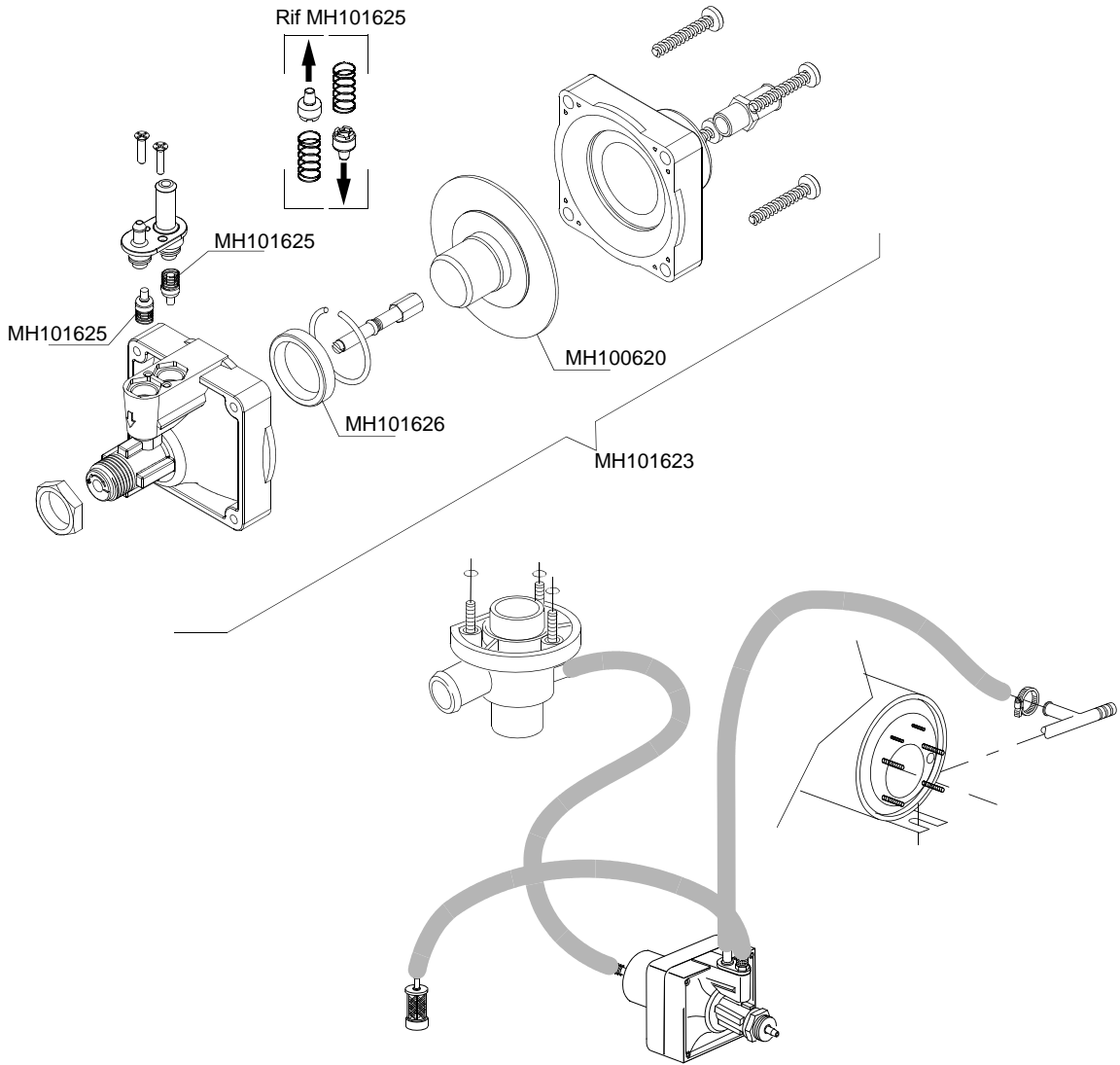
GRAVITY DRAIN MODEL TIMER

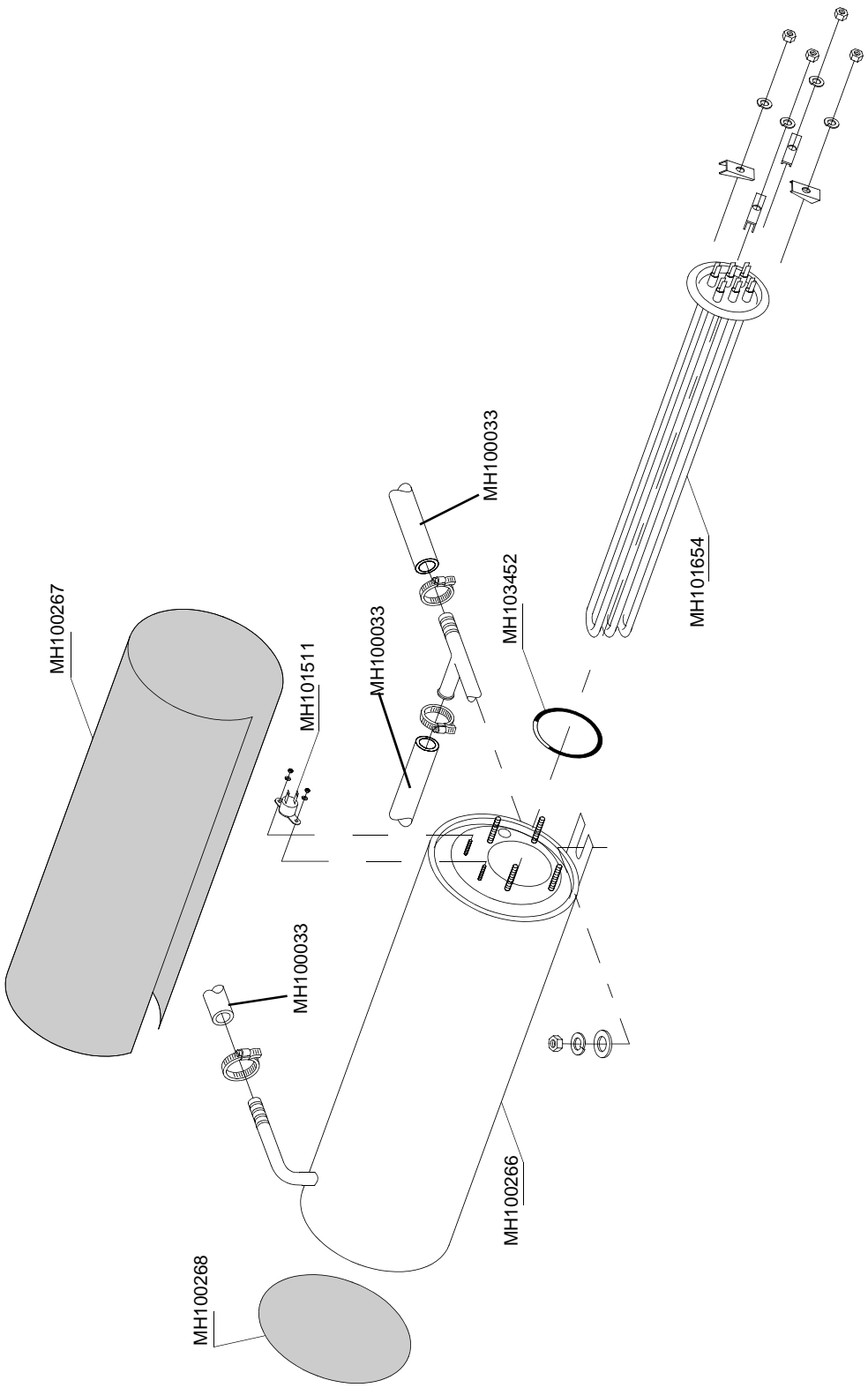




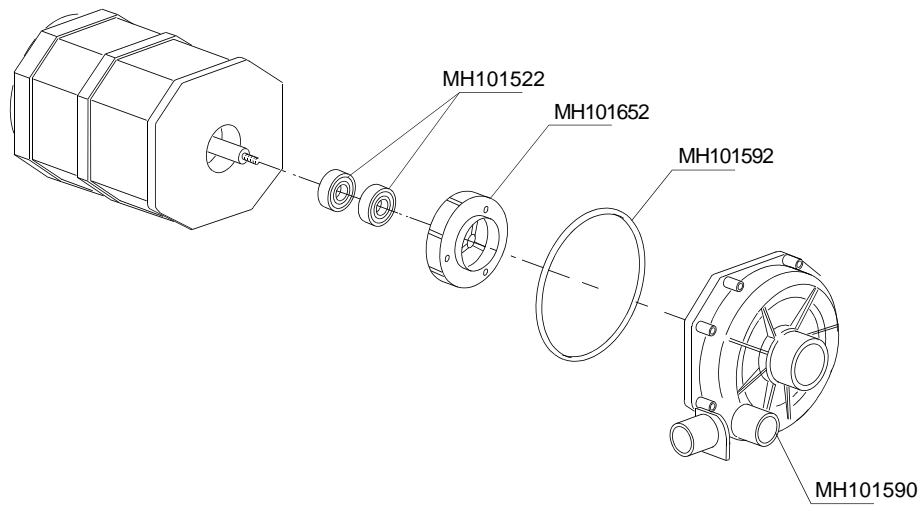
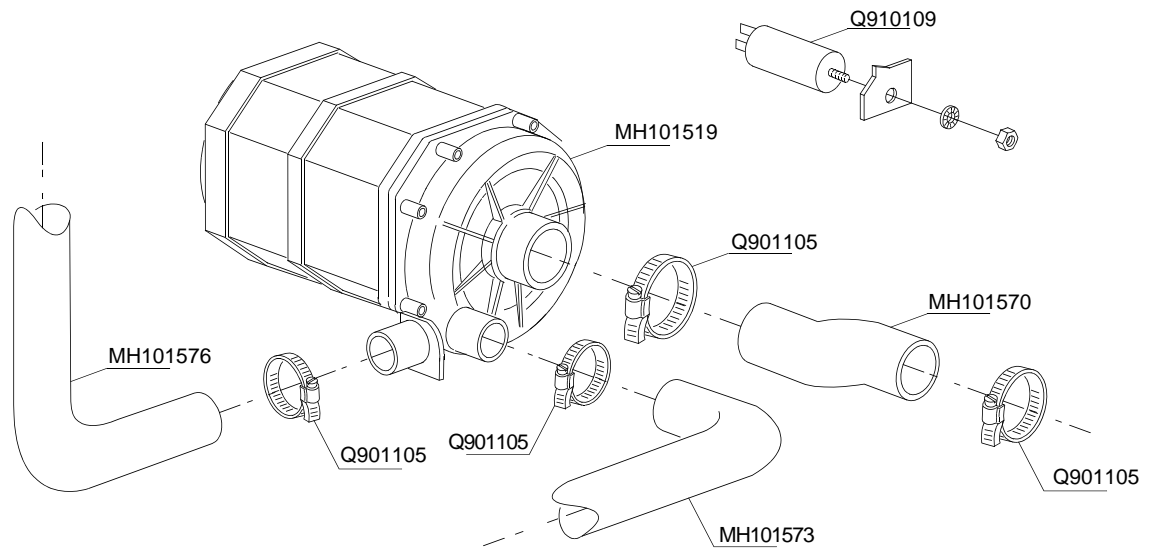
ASK CUSTOMER WHICH ONE?

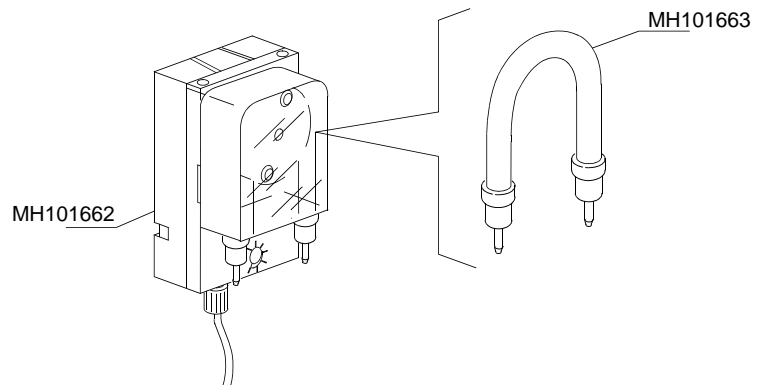
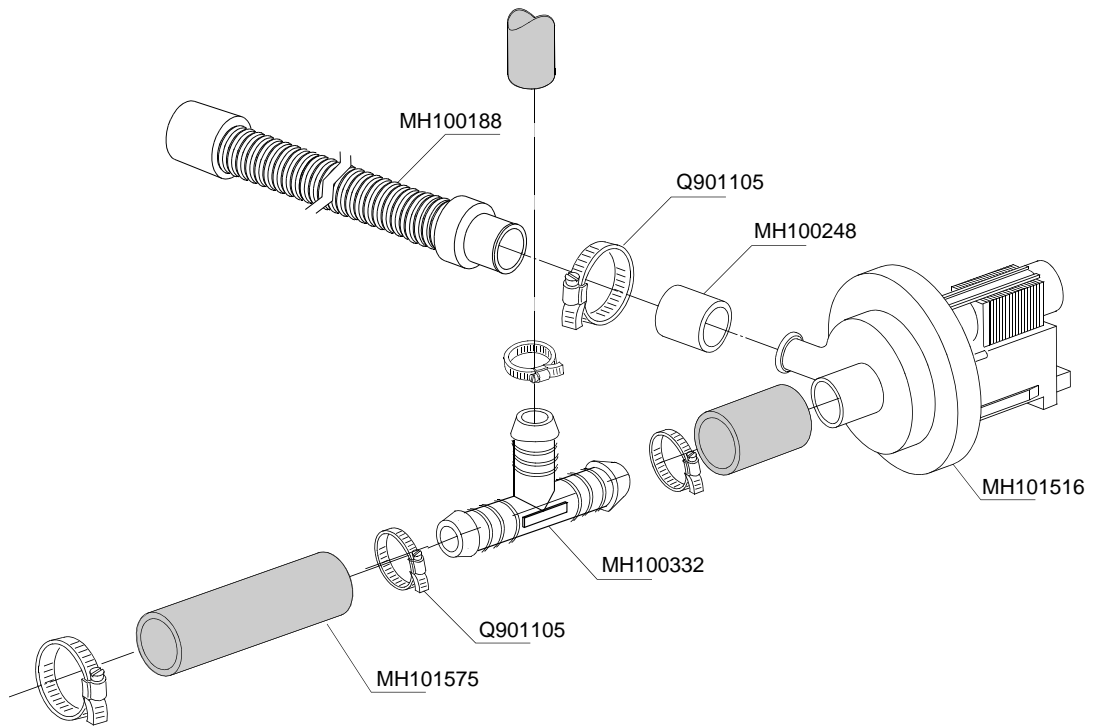


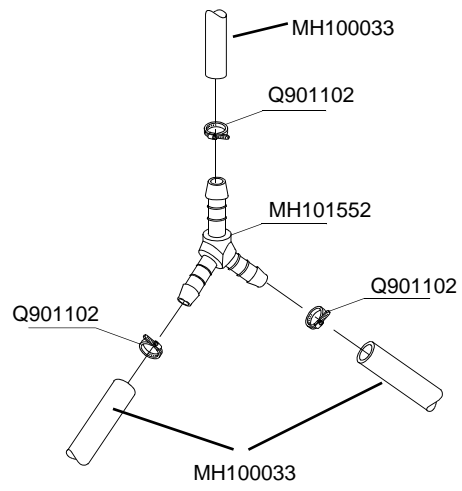
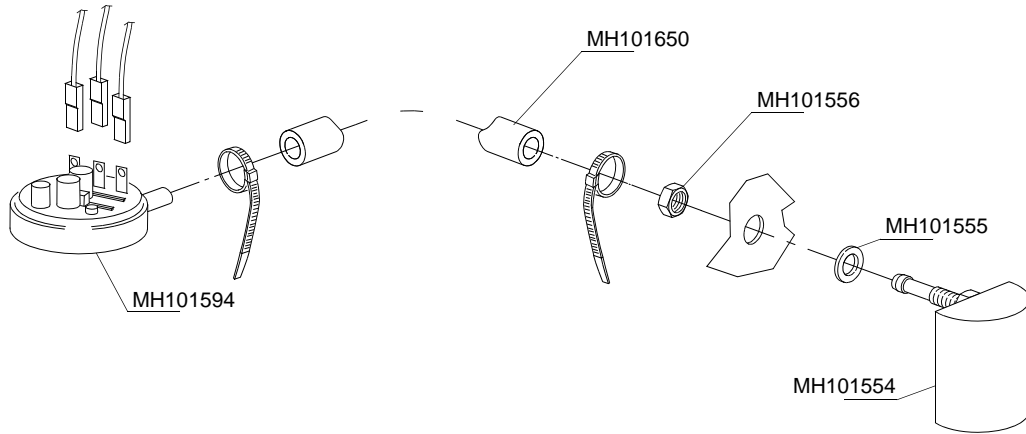




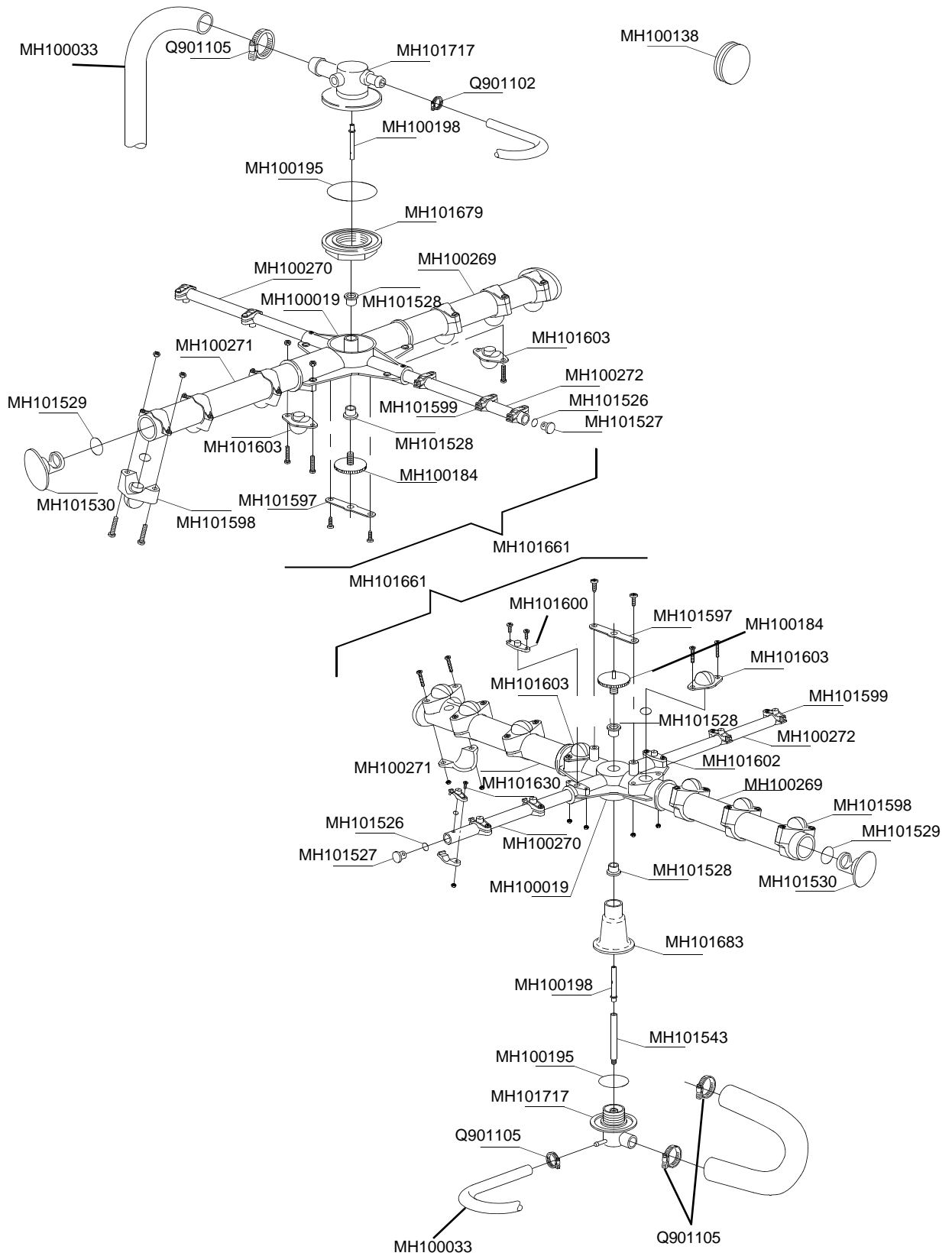




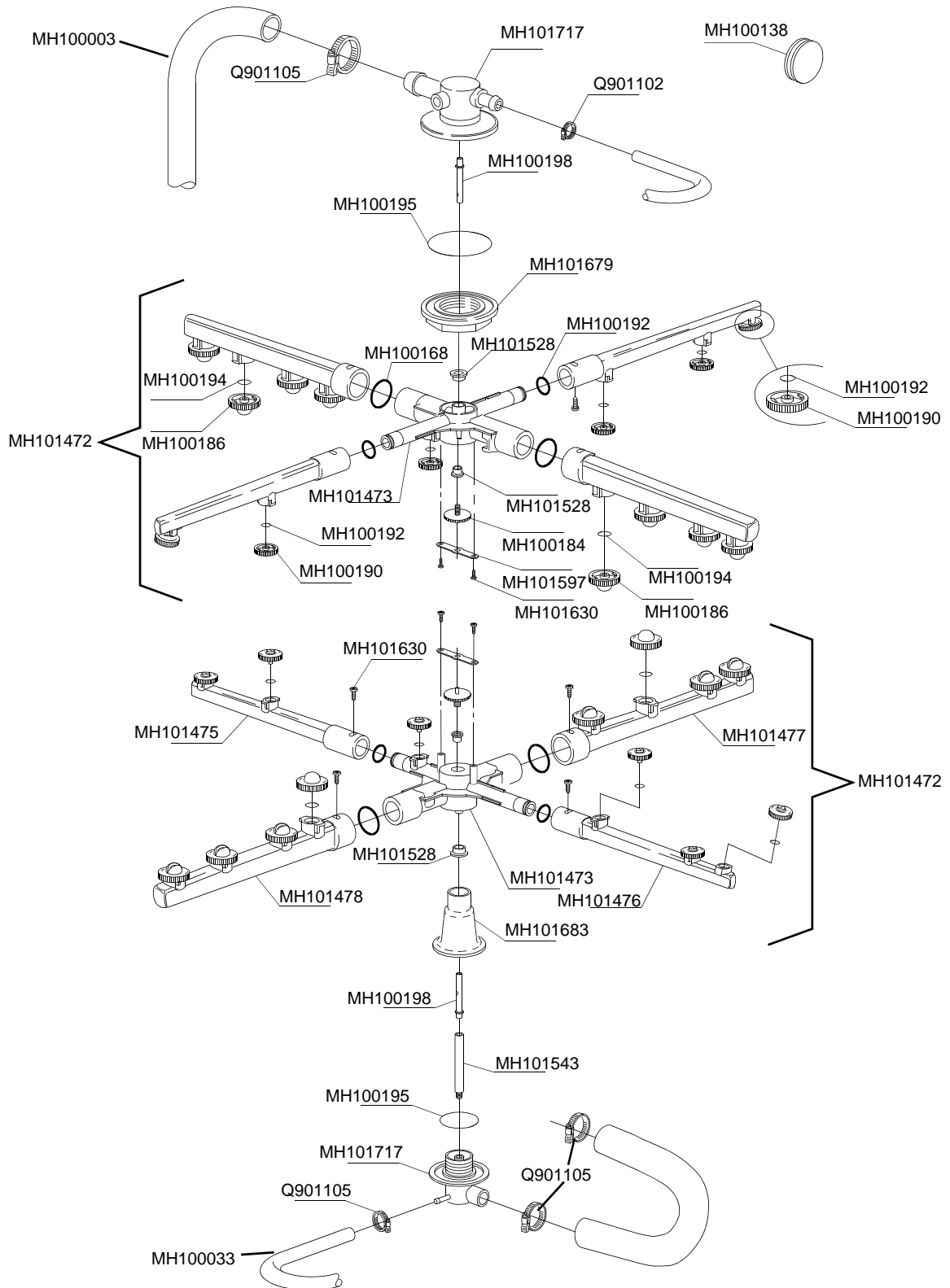


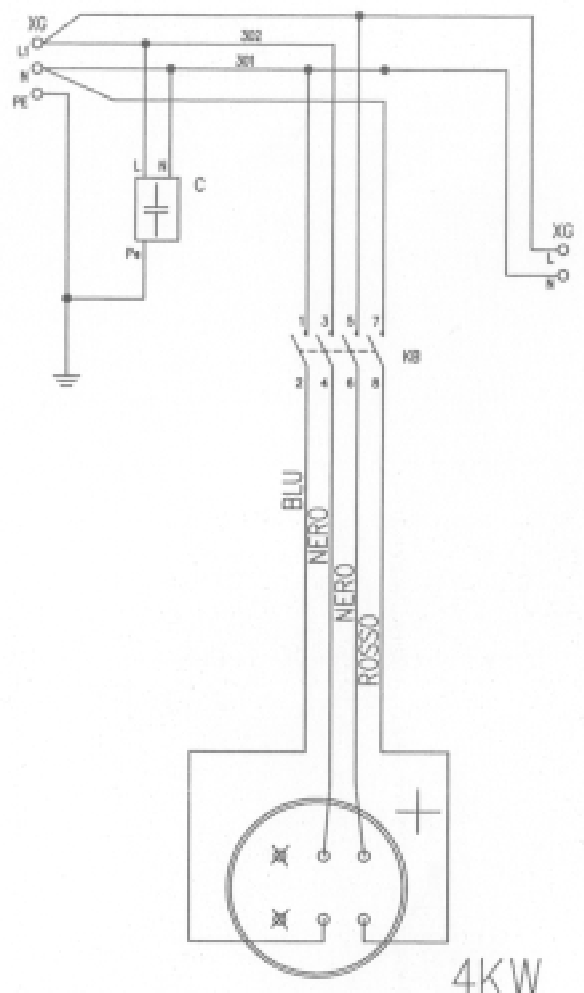


# ALTERNATIVE WASH / RINSE

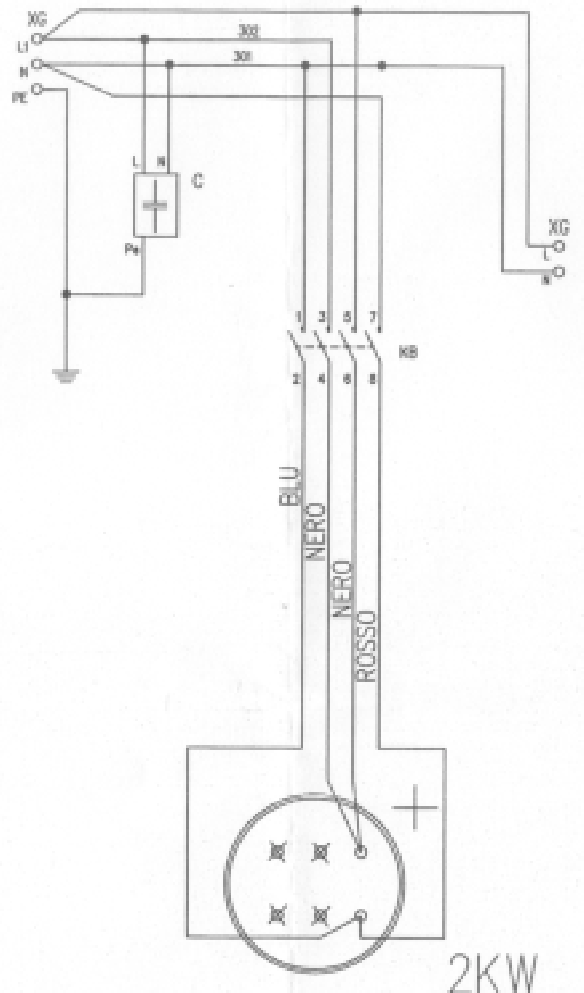


# ALTERNATIVE WASH / RINSE





4KW



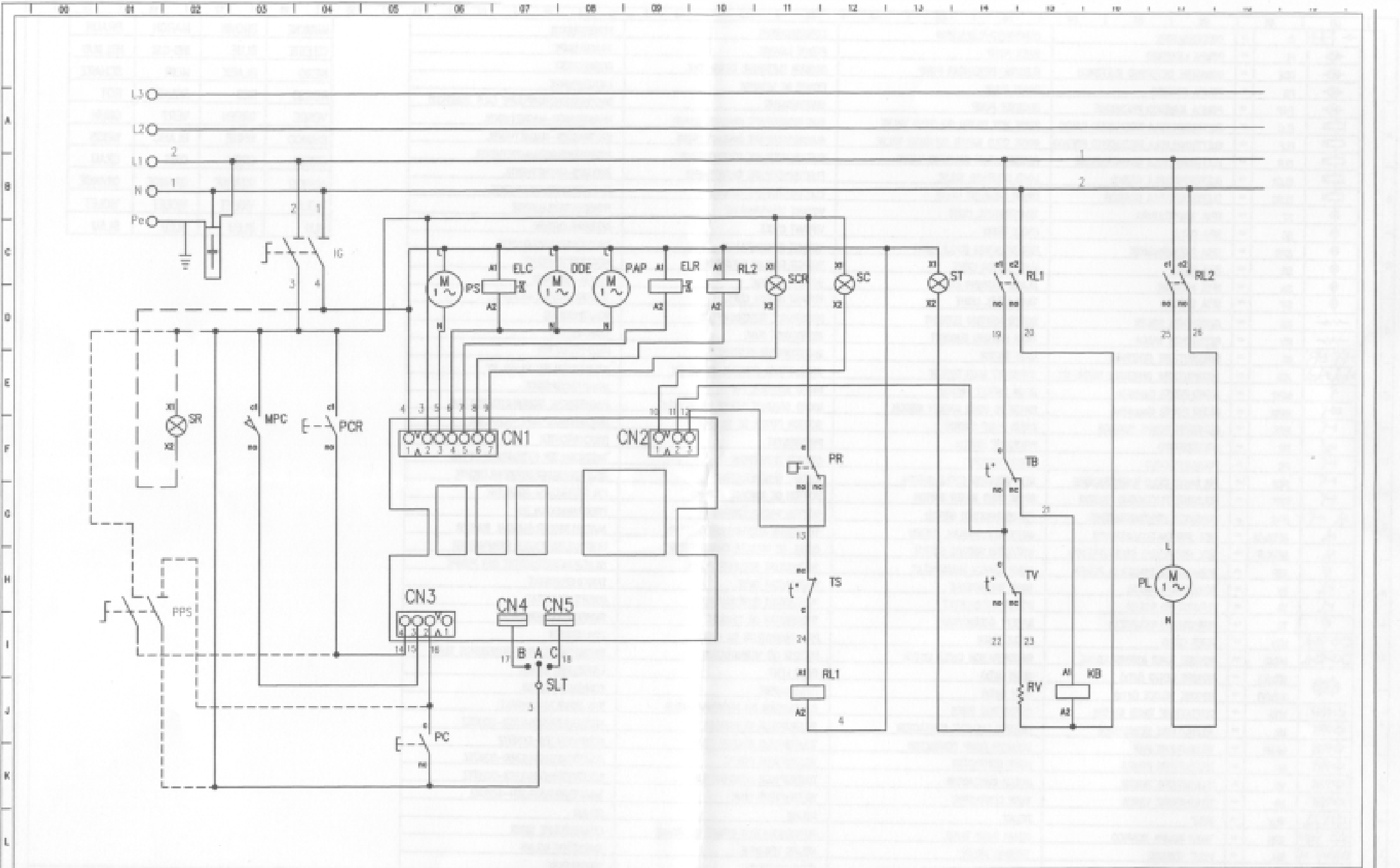
2KW

MARRONE	BROWN	MARON	BRAUN
CELESTE	BLUE	BLEU-CLAR	HELL BLAU
NERO	BLACK	NOIR	SCHARZ
ROSSO	RED	ROUGE	ROT
VERDE	GREEN	VERT	GRUN
BIANCO	WHITE	BLANC	WEISS
GRIGIO	GREY	GRIS	GRAU
ARANCIO	ORANGE	ORANGE	ORANGE
VIOLA	VIOLET	VIOLET	VIOLET
BLU	BLEU	BLEU	BLAU

⊗ terminals of the heating element:  
do not join for 220/240Vac alimentation

terminali resistenza da non collegare  
per alimentazione 220/240Vac

REV 00	REV./DATE	IMPIANTO / INSTALLATION	TITOLO / TITLE	N. DIS. 49905-00.dwg	FOGLIO PAGE	SEGUE FOLLOWS
		SCHEMA ELET.LAVASTOVIGLIE	SCHEMA ELET. DI POTENZA / ELECTRIC POWER DIAGRAM	N. ARCHIO 49905-00	1	1
		220-240 V 1P+N 50/60 Hz	CODICE 49905	DATA EMISSIONE / DATE 29/04/05	TOT. FOGLI TOT. PAGE	1



REV.	REV./DATE
03	16/06/04

IMPIANTO / INSTALLATION
SCHEMA ELETTROTECNICO
220-240V 1P+N 50/60Hz

TITOLO / TITLE	
SCHEMA FUNZIONALE / ELECTRICAL DIAGRAM	
COD.DOC.	40929

N. DIS. 40929-03.dwg	FOGLIO	SEQUE
N. ARCH. G-40929-03	PAGE	FOLLOWS
DATA EMISSIONE / DATE	1	2
05/06/03	TOT. FOGLI	TOT. PAGE
	2	2

	01	02	03	04	05	06	07	08	09	10	11	12	13	14	15	16	17	18	19
		C	=	CONDENSATORE	CONDENSER/CAPACITOR	CONDENSATEUR	CONDENSATOR												
		PL	=	POMPA LAVAGGIO	WASH PUMP	POMPE LAVAGE	WASCHPUMPE												
		DOE	=	DOSTATORE DETERGENTE ELETTRICO	ELECTRIC DETERGENT PUMP	DOSEUR ELECTRIQUE DETERGENT	DOSENERÄT												
		PS	=	POMPA SCARICO	DRAIN PUMP	POMPE DE VIDEAGE	LAUGPUMPE												
		PAP	=	POMPA ALIMENTO PRESSIONE	BOOSTER PUMP	SUPPRESSEUR	DRUCKERHÖHSPUMPE (ALS ZUBEHÖR)												
		ELC	=	ELETTROVALVOLA RISCALDO CALDO	RINSE HOT WATER SOLENOID VALVE	ELECTROSOUPAPE RINÇAGE CHAUD	WÄRMWASSER-MAGNETVENTIL												
		ELF	=	ELETTROVALVOLA RISCALDO FREDDO	RINSE COLD WATER SOLENOID VALVE	ELECTROSOUPAPE RINÇAGE FROID	KÄLTWASSER-MAGNETVENTIL												
		ELR	=	ELETTROVALVOLA RIGENERAZIONE	REGENERATOR SOLENOID VALVE	ELECTROSOUPAPE REGENERATION	REGENERIERUNGSMAGNETVENTIL												
		ELDR	=	ELETTROVALVOLA CARICO	LOAD SOLENOID VALVE	ELECTROSOUPAPE CHARGEMENT	ZUFUHR-MAGNETVENTIL												
		ELSC	=	ELETTROVALVOLA SCARICO	DRAIN SOLENOID VALVE	ELECTROSOUPAPE VIDEAGE	ENTLEERUNGSMAGNETVENTIL												
		ST	=	SPA TEMPERATURA	TEMPERATURE LIGHT	VOYANT TEMPERATURE	TEMPERATURLEUCHE												
		SC	=	SPA CICLO	CYCLE LIGHT	VOYANT CYCLE	BEWEGUNGSLICHT												
		SR	=	SPA RIGENERAZIONE	REGENERATION CYCLE LIGHT	VOYANT REGENERATION	REGENERIERUNGSLICHT												
		SR	=	SPA RETE	MAIN SWITCH LIGHT	VOYANT RESEAU ELECTRIQUE	NETZBEREICHLEUCHE												
		SA	=	SPA ALLARME	ALARM WARNING LIGHT	VOYANT ALARME	ALARM-ANZEIGER												
		SV	=	SPA VASCA	TANK LEVEL LIGHT	VOYANT NIVEAU CUVÉ	TANKWASSERNEULLAMPE												
		RB	=	RESISTENZA BOILER	BOILER HEATING ELEMENT	RESISTANCE SURCHAUFFEUR	BOILERHEIZUNG												
		RV	=	RESISTENZA VASCA	TANK HEATING ELEMENT	RESISTANCE CUVÉ	TANKHEIZUNG												
		IS	=	INTERRUTTORE GENERALE	MAIN SWITCH	INTERRUPTEUR GENERAL	HAUPTSCHALTER												
		ISD	=	INTERRUTTORE GENERALE STAND BY	STAND BY MAIN SWITCH	INTERUPTEUR GENERAL STAND BY	HAUPTSCHALTER STAND BY												
		MFC	=	MICRO PORTA <i>Contatto</i>	DOOR SAFETY SWITCH	MICRO SECURITE PORTE	MIKROSTANDORTANT												
		MFM	=	MICRO PORTA <i>Magnetico</i>	MAGNETIC DOOR SAFETY SWITCH	MICRO SECURITE PORTE MAGNETIQUE	MAGNETISCHE SICHERHEITSMICROIN												
		PPS	=	PULSANTE POMPA SCARICO	DRAIN PUMP SWITCH	BOUTON POMPE DE VIDEAGE	ENTLEERUNGSPUMPE-SCHALTER												
		PR	=	PRESSOSTATO	PRESSURE SWITCH	PRESSOSTAT	DRUCKWÄCHTER												
		PC	=	PULSANTE CICLO	CYCLE SWITCH	BOUTON DEARRÊTEUR	TASTSCHALTER FÜRPROGRAMMIERFLAU												
		PCR	=	PULSANTE CICLO RIGENERAZIONE	REGENERATION CYCLE SWITCH	VOYANT REGENERATION	REGENERIERUNGSEINERLEUCHE												
		PF	=	PULSANTE RISCALDO FREDDO	RINSE COLD WATER SWITCH	BOUTON DE RINÇAGE FROID	KÄLTSPÜLUNG SCHALTER												
		PPS	=	PULSANTE PROGRAMMAZIONE	PROGRAMMATION SWITCH	BOUTON PROGRAMMATION	PROGRAMMSCHALTER												
		DEV/A	=	DEV. AUTOMATICO/MANUALE	AUTOMATIC/MANUAL SWITCH	SELECTEUR AUTOMATIQUE/MANUAL	AUTOMATISCHER/MANUAL WÄHLER												
		DEV/F	=	DEV. RISCALDO CALDO/FREDDO	HOT/COLD RINSEING SWITCH	COMA. DE RINÇAGE CHAUD/FROID	UMSCHALTER FÜR KALT WARMWASSER												
		TSP	=	TERMOSTATO SICUREZZA POMPA	PUMP SAFETY THERMOSTAT	THERMOSTAT SECURITE POMPE	SICHERHEITSTHERMOSTAT DER PUMPE												
		TV	=	TERMOSTATO VASCA	TANK THERMOSTAT	THERMOSTAT CUVÉ	TANKTHERMOSTAT												
		TB	=	TERMOSTATO BOILER	BOILER THERMOSTAT	THERMOSTAT SURCHAUFFEUR	BOILTHERMOSTAT												
		TS	=	TERMOSTATO SICUREZZA	SAFETY THERMOSTAT	THERMOSTAT DE SECURITE	SICHERHEITSTHERMOSTAT												
		MTc	=	TIMER CICLO	CYCLE TIMER	PROGRAMMATEUR DU CYCLE	ZYKLUSTIMER												
		MTcR	=	MOTORE TIMER RIGENERAZIONE	REGENERATION CYCLE MOTOR	MOTEUR DU REGENERATION	REGENERIERUNGSEINERLEUCHE TIMER												
		MTcL	=	MOTORE LENTO (MTc)	SLOW (MTc)	(MTc) LENT	LANGSAMER MOTOR												
		MTcV	=	MOTORE VELOCE (MTc)	FAST (MTc)	(MTc) RAPIDE	SCHNELLER MOTOR												
		MTB	=	CONTATTORE TIMER BOBINA	CONTACTOR TIMER	CONTACTEUR DU PROGRAMMATEUR	MTS SCHALTERKONTAKT												
		MR	=	TELEINTUTTORE RESISTENZA	HEATING ELEMENT CONTACTOR	TELEINTUTTEUR RESISTANCE	HEIZKÖPFEKONTAKT-SCHÜTZ												
		MP	=	TELEINTUTTORE PAP	BOOSTER PUMP CONTACTOR	TELEINTUTTEUR SUPPRESSEUR	PUMPSCHALTER-SCHÜTZ												
		MP	=	TELEINTUTTORE POMPA	PUMP CONTACTOR	TELEINTUTTEUR POMPE	PUMPFERNSCHALTER-SCHÜTZ												
		MB	=	TELEINTUTTORE BOILER	BOILER CONTACTOR	TELEINTUTTEUR SURCHAUFFEUR	BOILERFERNSCHALTER-SCHÜTZ												
		MY	=	TELEINTUTTORE VASCA	TANK CONTACTOR	TELEINTUTTEUR CUVÉ	TANKFERNSCHALTER-SCHÜTZ												
		RLr	=	RELE	RELAY	RELAIS	RELAS												
		TPS	=	TIMER POMPA SCARICO	DRAIN PUMP TIMER	PROGRAMMATEUR POMPE DE VIDEAGE	LAUGPUMPE TIMER												
		RM	=	RELE TERMICO	THERMC RELAY	RELAIS THERMIQUE	THERMOCH RELAS												
		RL	=	BLOCCO PORTA	DOOR LOCK	SOBARRNE PORTE	TÜRSPERRE												

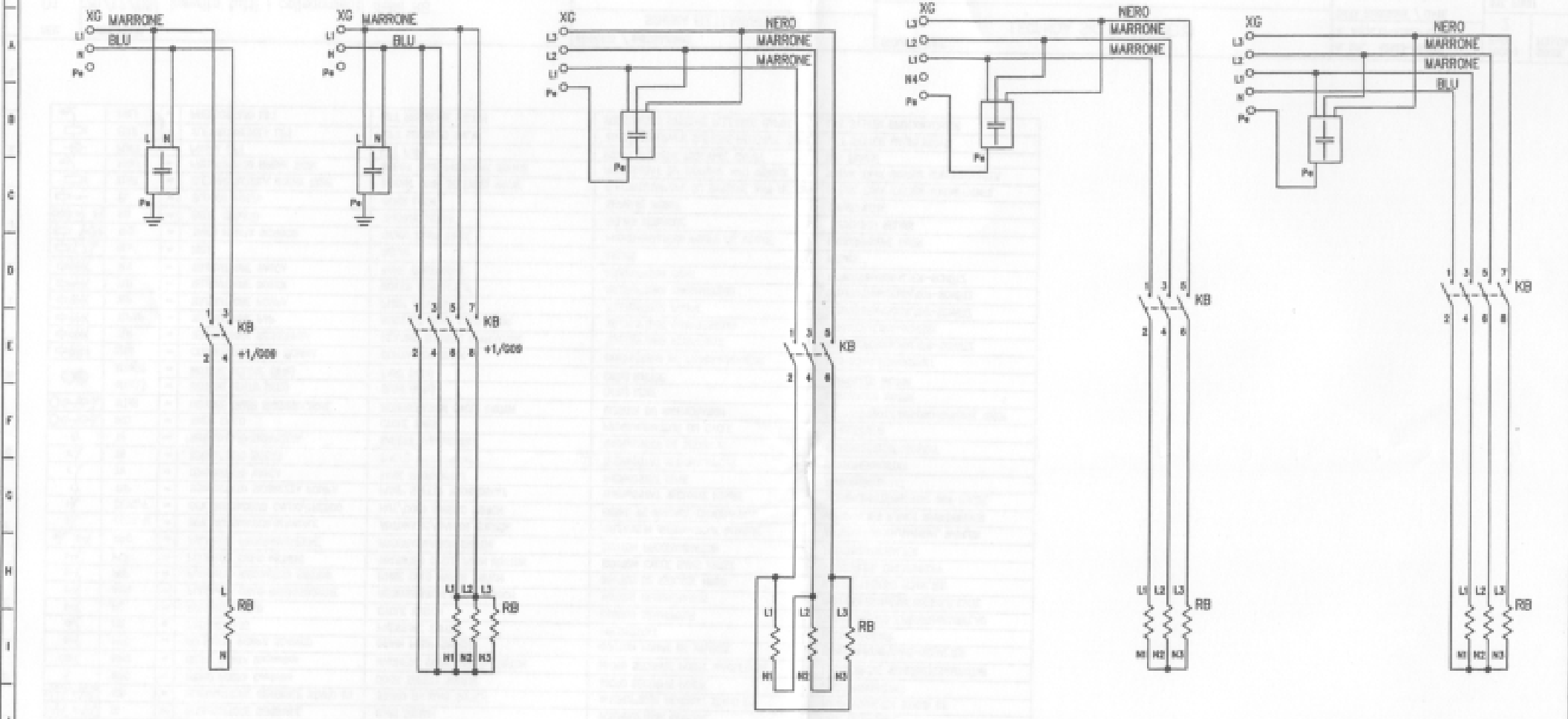
  

MAFICHE	BROWN	MARON	BRAUN
CELESTE	BLUE	BLU-GR	HELL BLAU
NERO	BLACK	NOIR	SCHWARZ
ROSSO	RED	ROUGE	ROT
VERDE	GREEN	VERT	GRÜN
BIANCO	WHITE	BLANC	WEISS
GRIGIO	GREY	GRIS	GRAU
ARANCIO	ORANGE	ORANGE	ORANGE
VIOLEA	VIOLET	VIOLET	VIOLET
BLU	BLEU	BLAU	BLAU

REV.	REV./DATE	MPARTI / INSTALLAZIONE	TITOLO / TITEL	N. DIS. 40929-03-009	FOLIO	SEQUE
03	16/06/04	SCHEMA ELET.LAVASTOVIGLIE	LEGENDA SIGLE / LEGEND	N. ARCH. 0-40929-03	2	FOLIO
		220-240V 1P+N 50/60Hz	009.DOC	DATA EMISSIONE / DATE	2	TIT. FOLIO
			40929	05/06/03	2	TIT. FOLIO





220-240 1P+N 50/60Hz      220-240 1P+N 50/60Hz      220-240 3P 50/60Hz      400-415 3P 50/60Hz      400VAC 3P+N 50/60Hz

REV. 02	REV./DATE 20/12/05	Inserito tutti i collegamenti delle RB	IMPIANTO / INSTALLATION SCHEMA ELET.LI.VASTOGLIE	TITOLO / TITLE SCHEMA ELET.DI POTENZA / ELECTRIC POWER DIAGRAM	N. DIS. 42923-02.0WS N. ARCH. D-42923-02	FOLIO PAGE 1	SEQUE FOLLOWS 2
				COL.DOC. 42923	DATA EMISSIONE / DATE 18/12/03	TOT. FOGLI TOT. PAGE 2	

