

easicook.co.uk

Spare Parts Manual

Leading UK Distributors
of Catering Equipment Since 1977

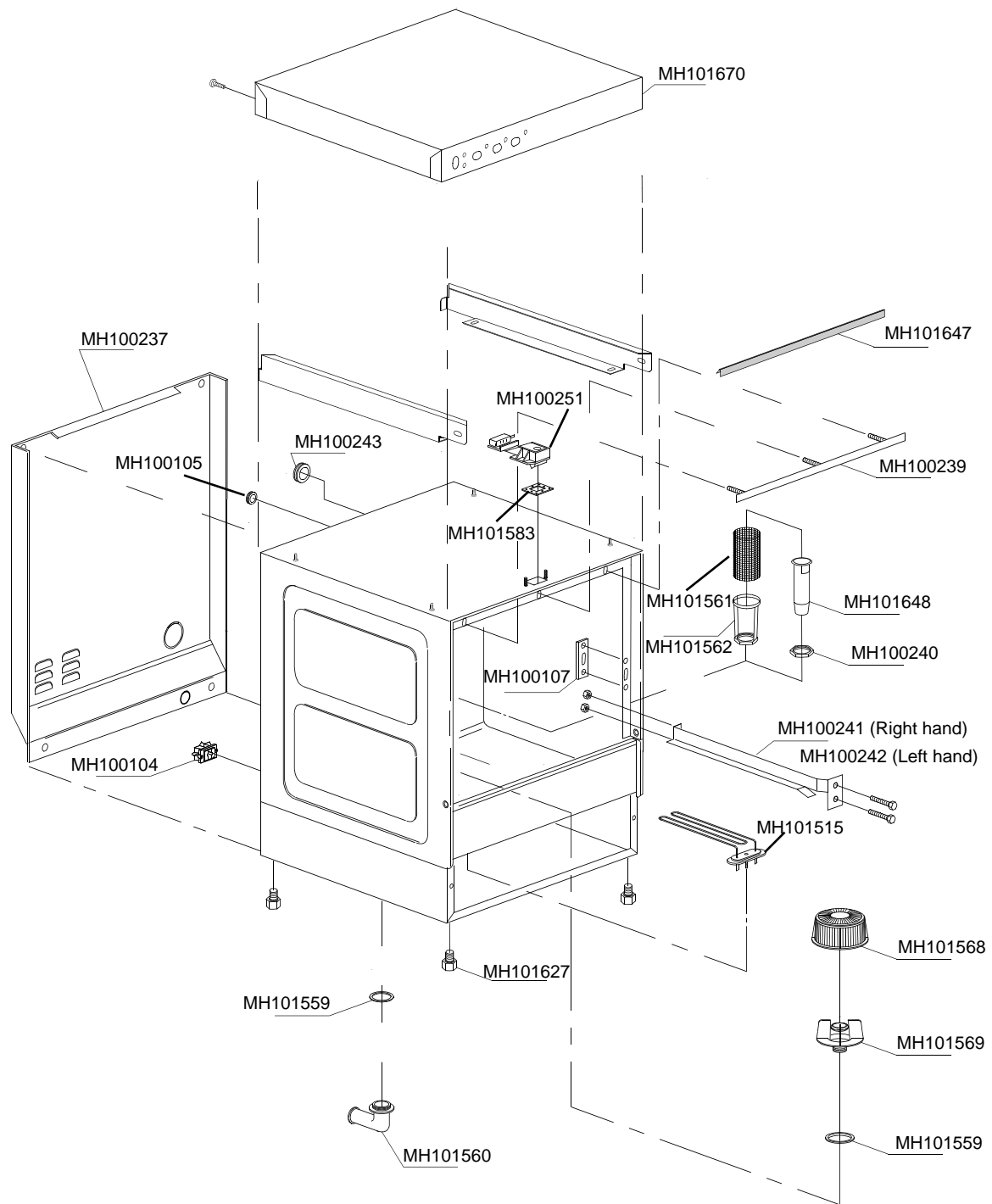
Sales - Repairs - Spares

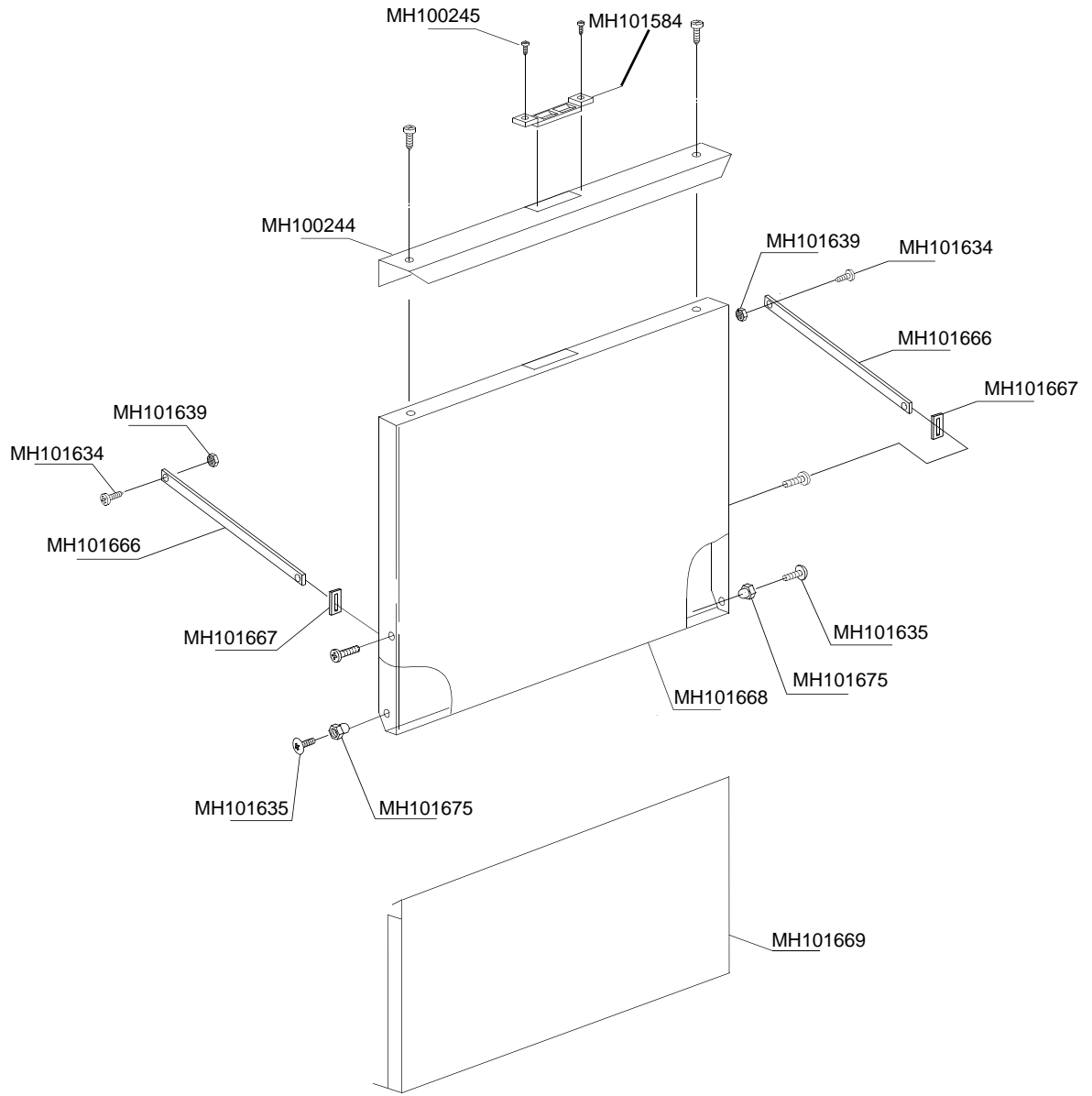
Tel: 029 20747567

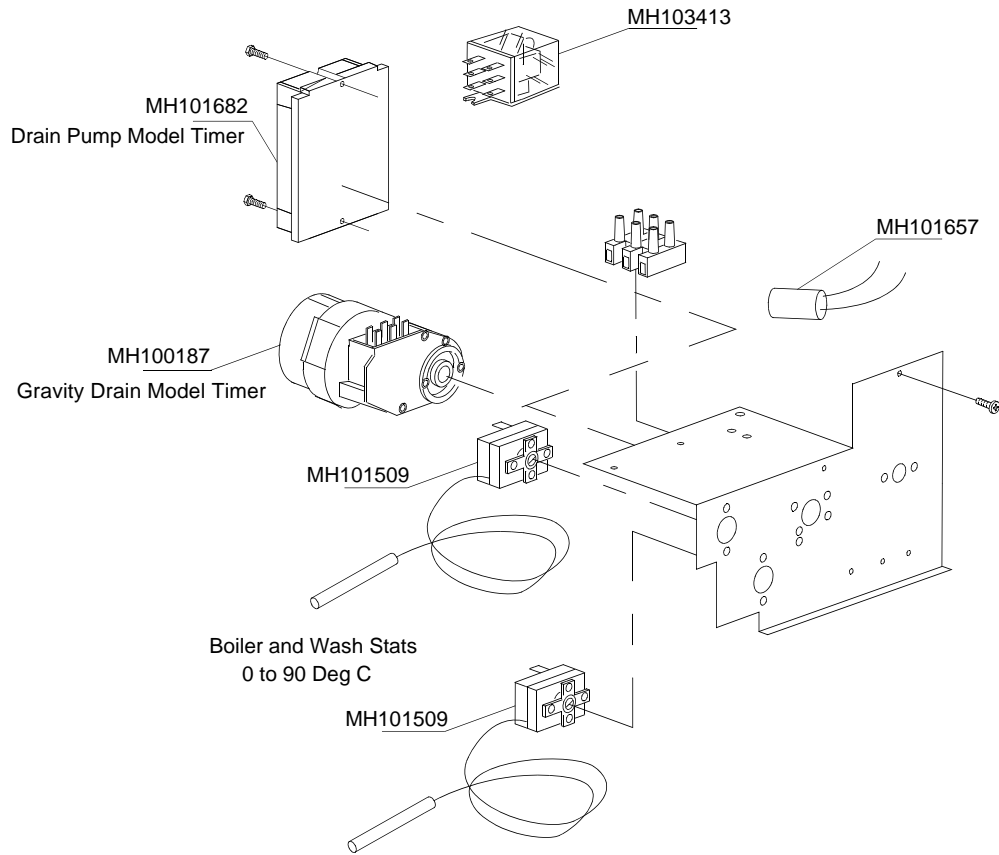
Fax: 029 20214100

Email: info@easicook.co.uk

[Click Here for Live Online Chat](#)





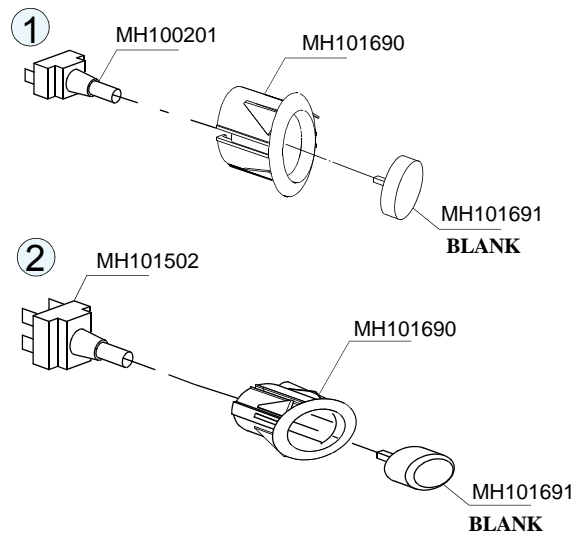
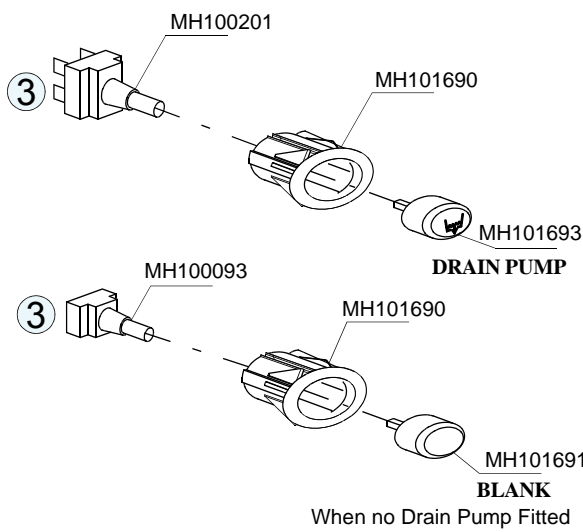
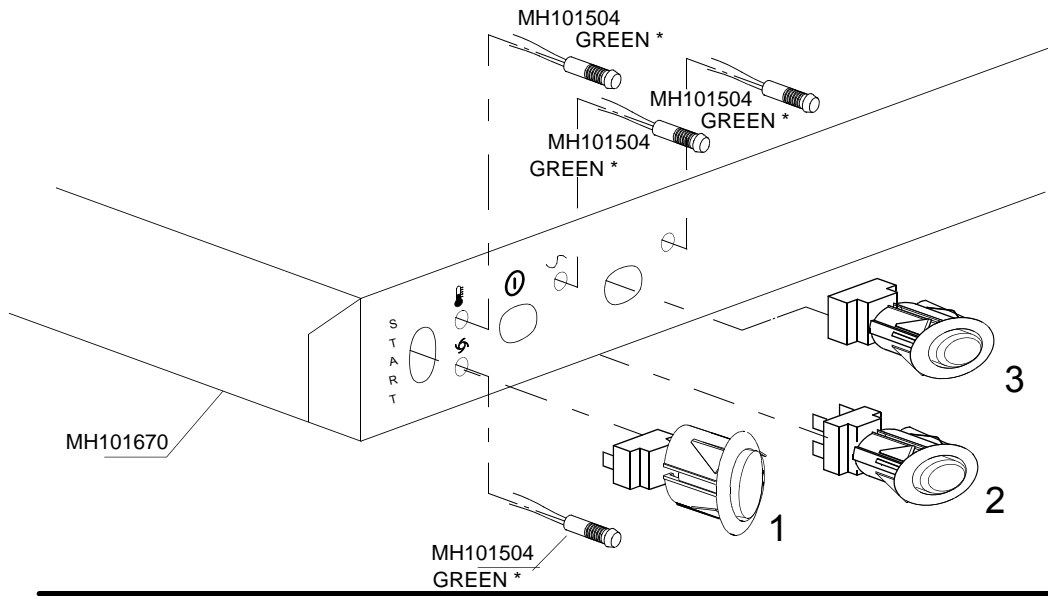


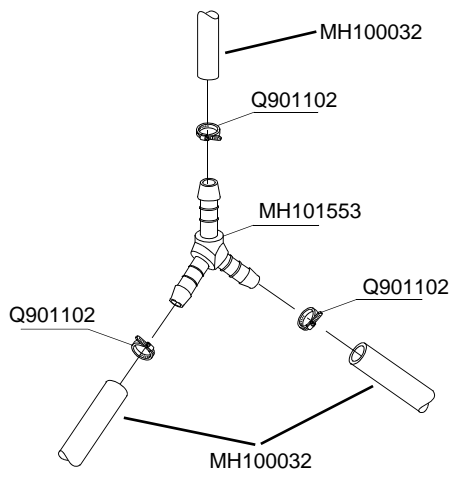
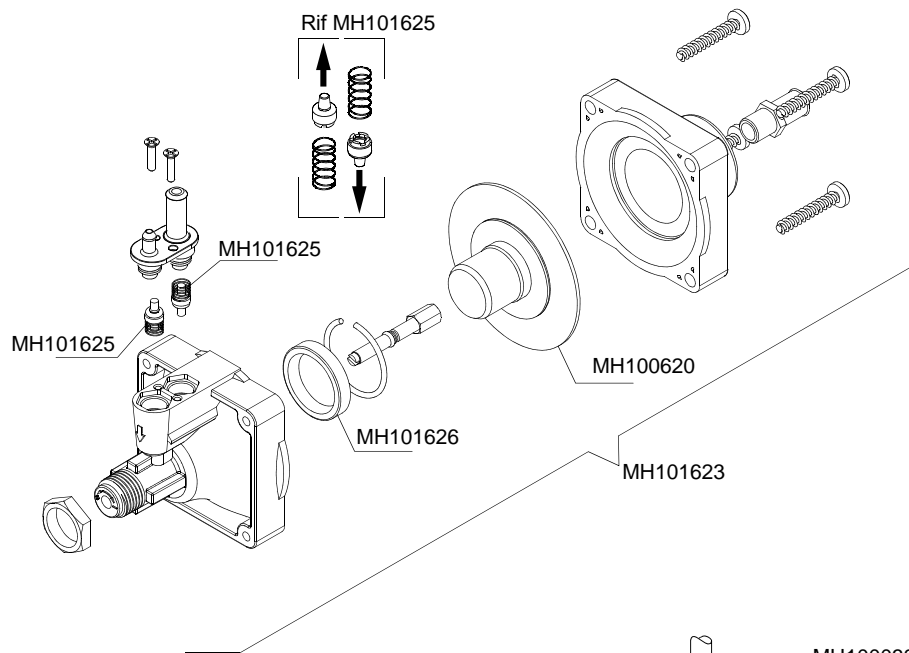
*NOTE From November 2006

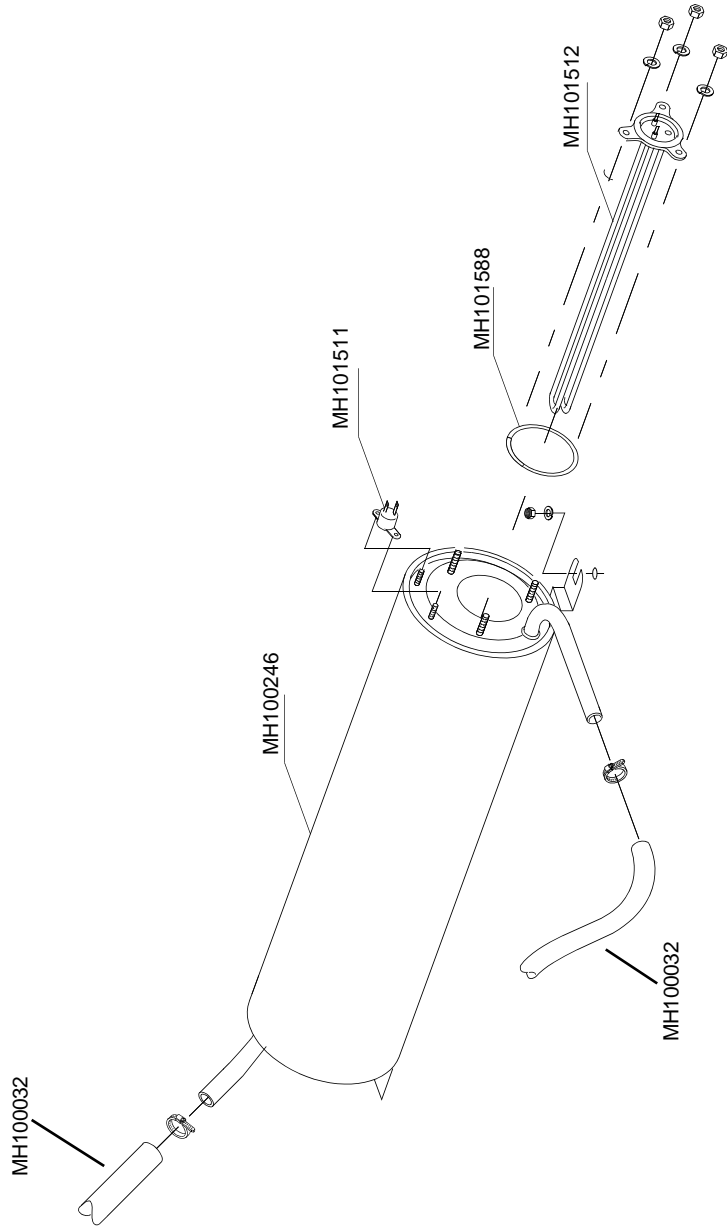
Lamps maybe 2 part CLEAR

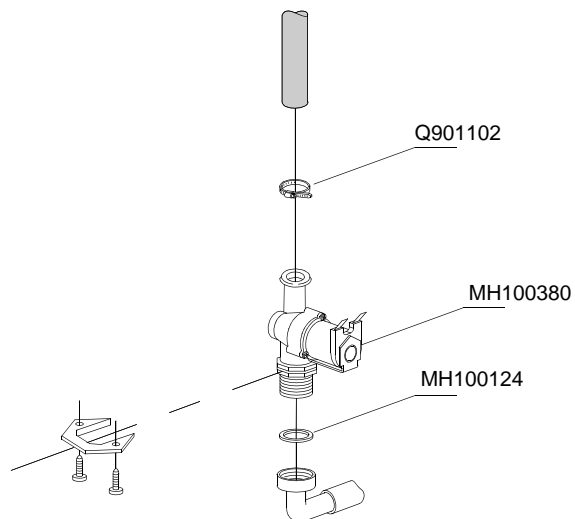
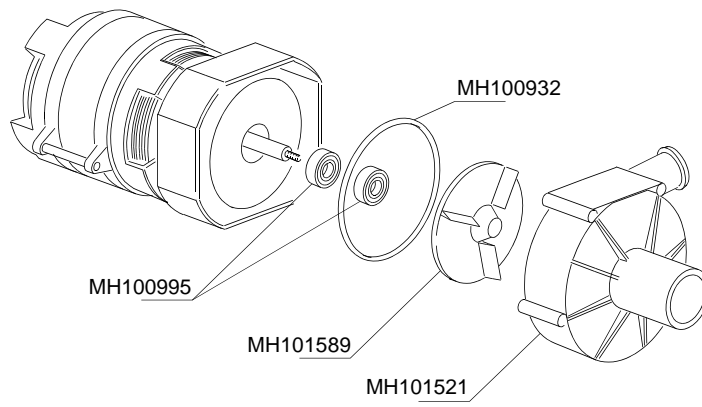
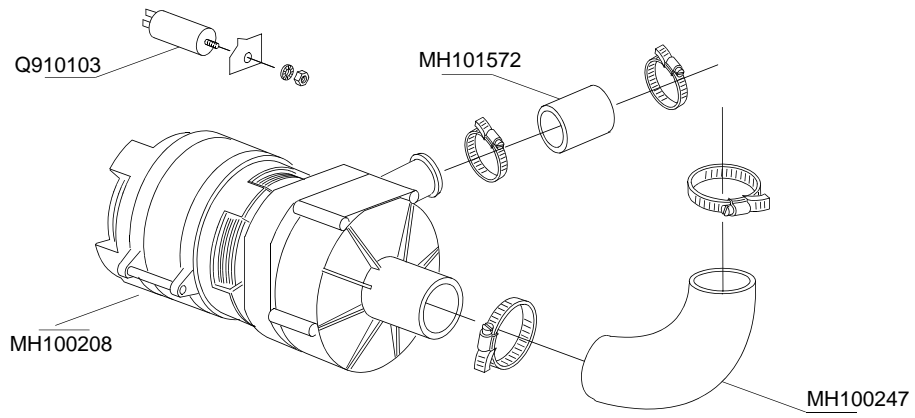
1 Lamp Holder MH100300

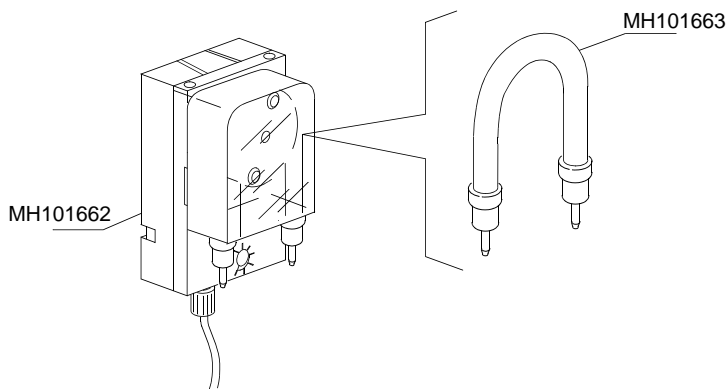
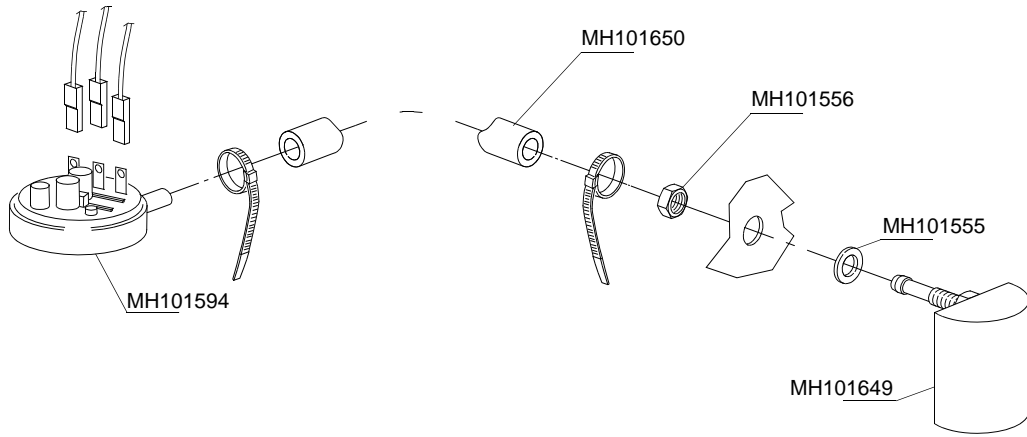
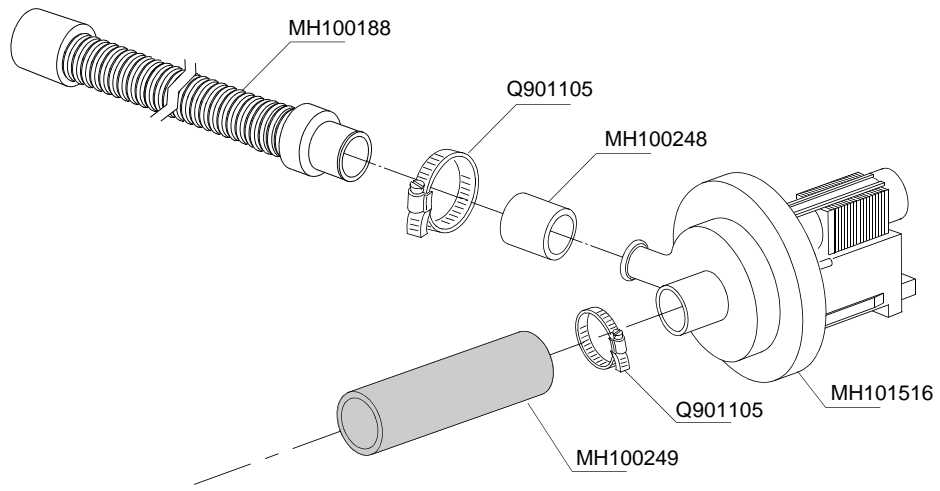
2 Lamp MH100301

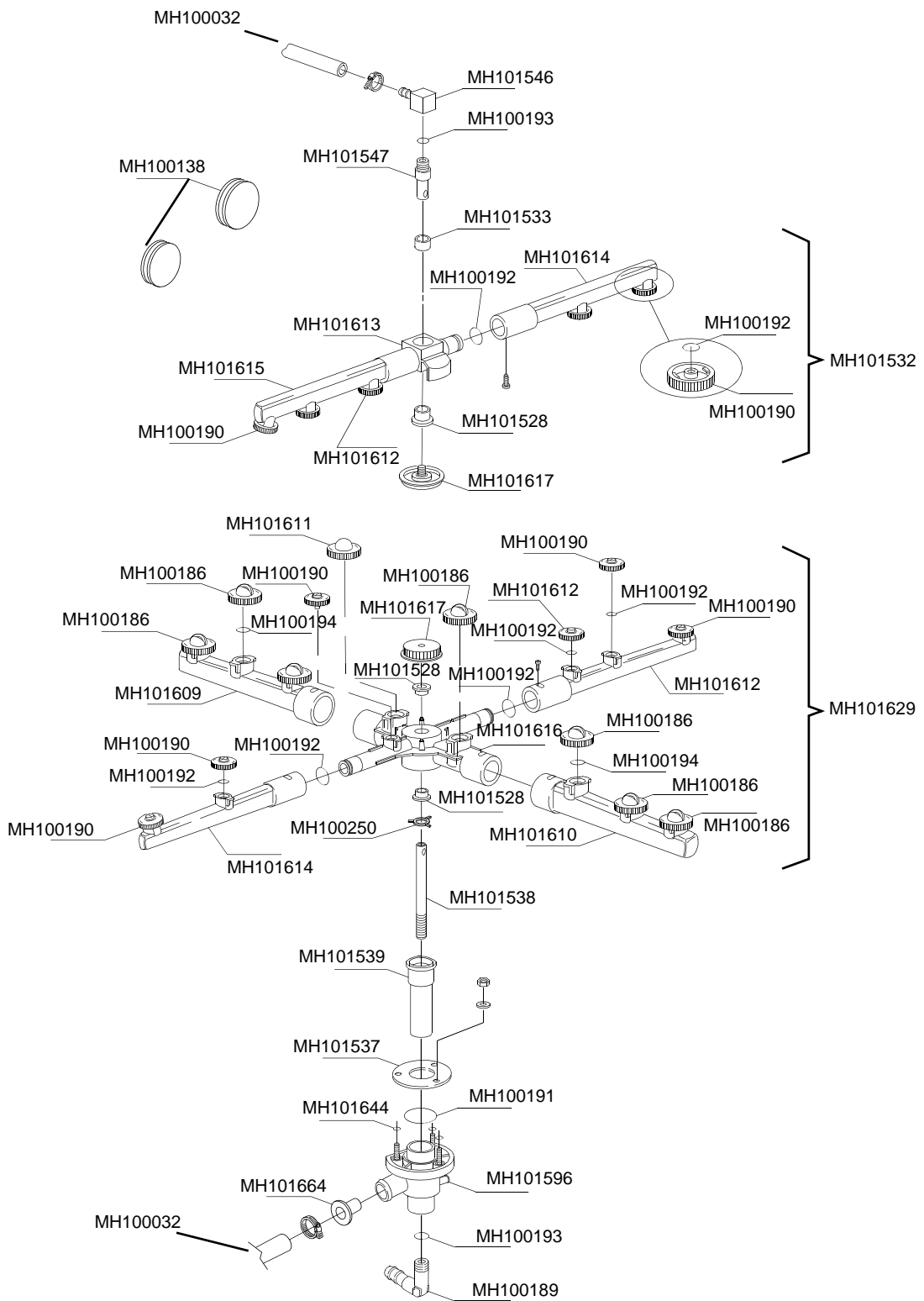


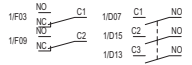
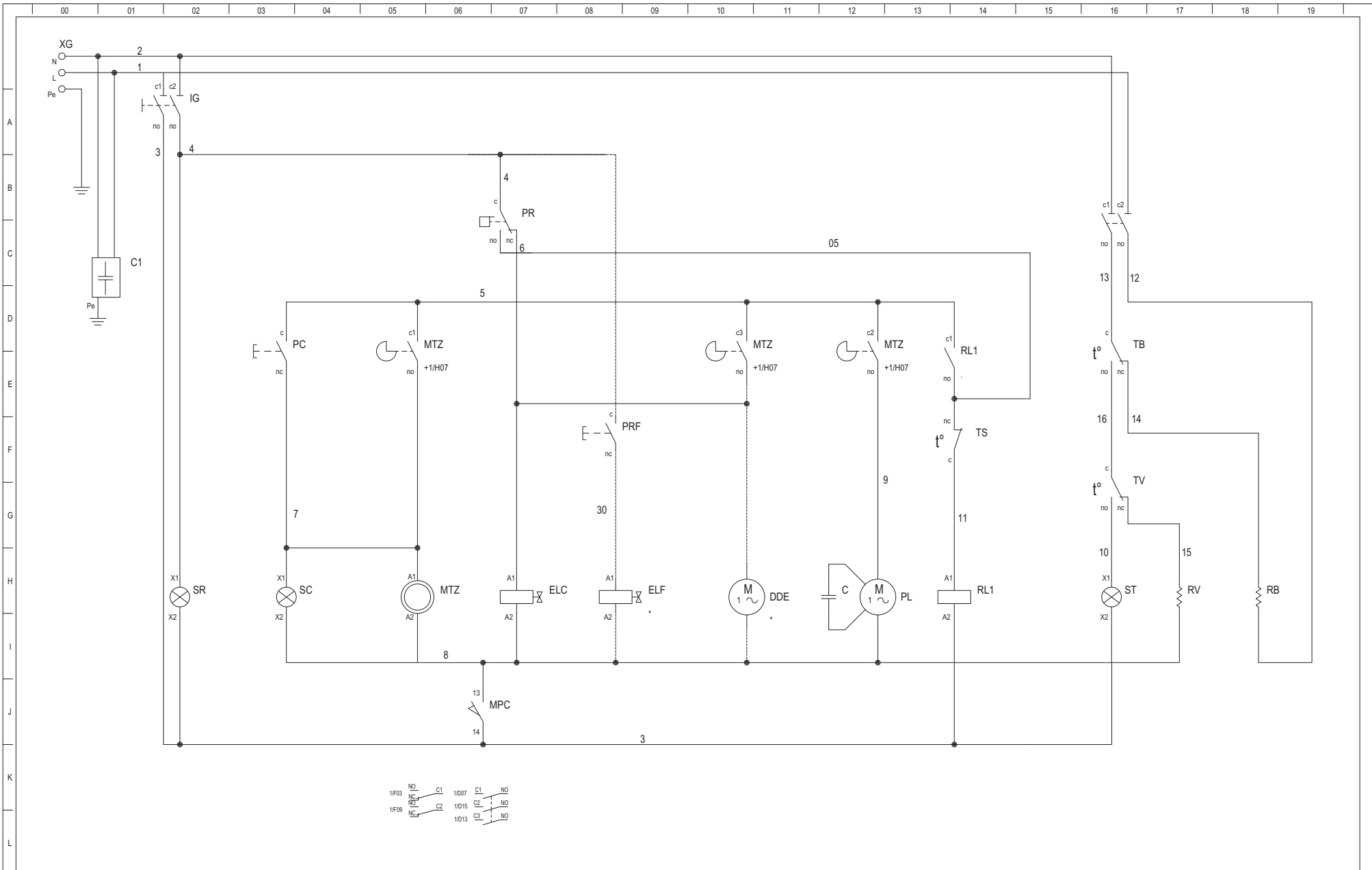








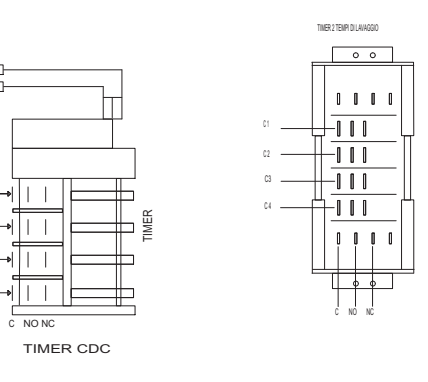
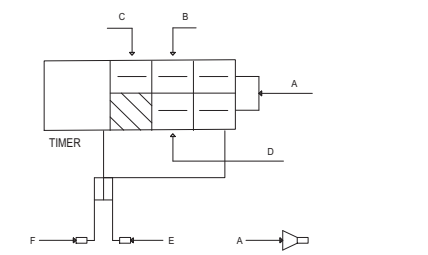
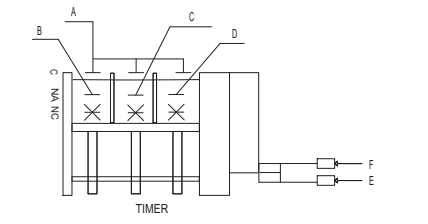




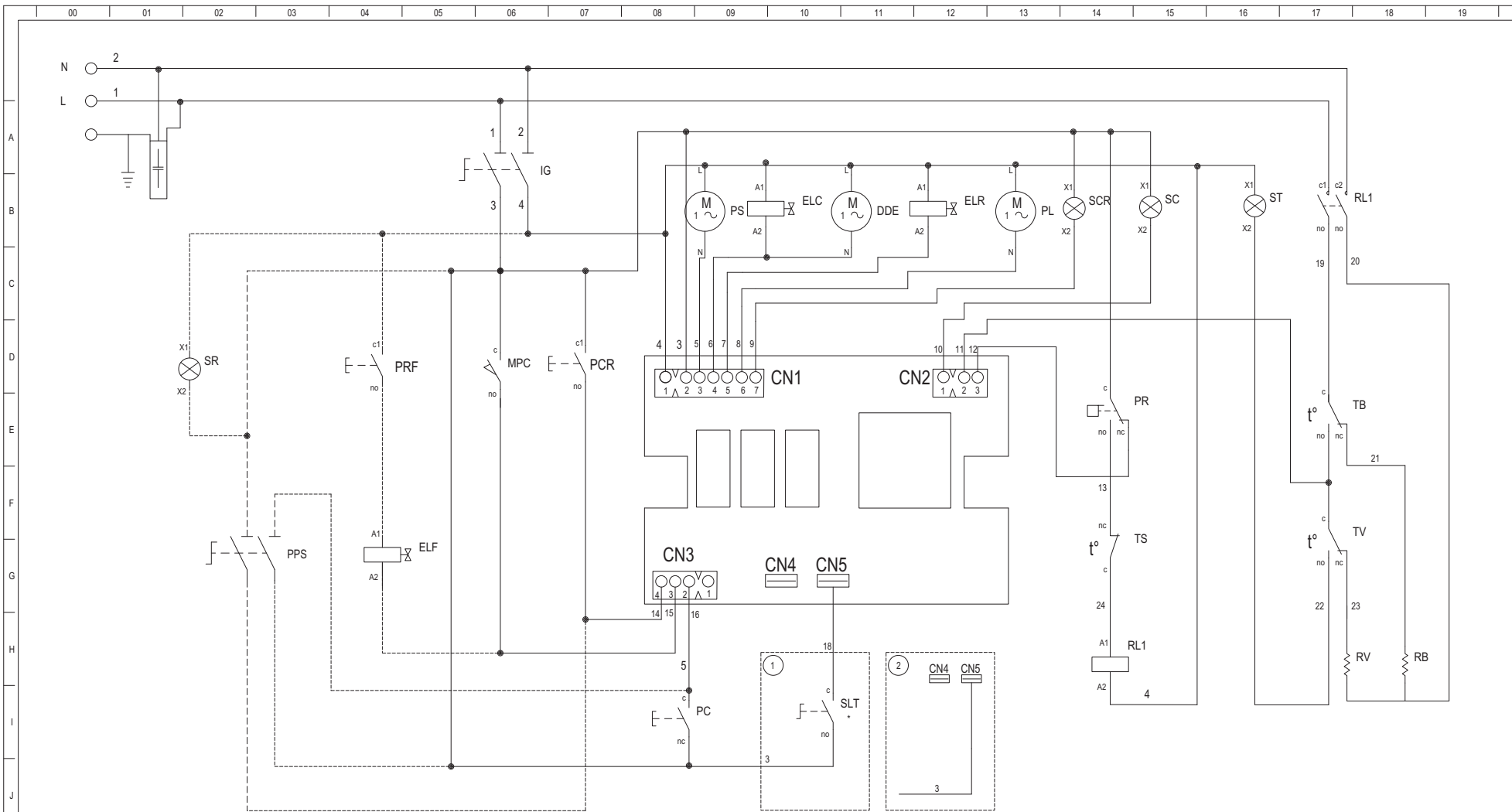
REV. 03	REV./DATE	IMPIANTO / INSTALLATION		TITOLO / TITLE		PAGE	FOLLOWS
		220-240V 1P+N 50/60Hz		ELECTRICAL DIAGRAM -Halcyon 16 (Gravity drain)		1	2
COD.DOC.				47301		/ DATE	
						25/02/03	
						TOT. PAGE	
						2	

	00	01	02	03	04	05	06	07	08	09	10	11	12	13	14	15	16	17	18	19
		C	=	CONDENSER/CAPACITOR					CONDENSATEUR		KONDENSATOR						MARRONE	BROWN	MARON	BRAUN
		PL	=	WASH PUMP					POMPE LAVAGE		WASCHPUMPE						CELESTE	BLUE	BLEU-CLAIR	HELL BLAU
		DDE	=			ELECTRIC DETERGENT PUMP			DOSEUR ELETRIQUE DETERGENT		DOSIERGERÁT						NERO	BLACK	NOIR	SCHARZ
		PS	=			DRAIN PUMP			POMPE DE VIDANGE		LAUGENPUMPE						ROSSO	RED	ROUGE	ROT
		PAP	=			BOOSTER PUMP			SURPRESSEUR		DRUCKERHOHUNGSPUMPE (ALS ZUBEHOR)						VERDE	GREEN	VERT	GRUN
A		ELC	=			RINSE HOT WATER SOLENOID VALVE			ELECTROSOUPAPE RINÇAGE CHAUD		WARMWASSER-MAGNETVENTIL						VERDE	GREEN	VERT	GRUN
		ELF	=			RINSE COLD WATER SOLENOID VALVE			ELECTROSOUPAPE RINÇAGE FROID		KALTWASSER-MAGNETVENTIL						BIANCO	WHITE	BLANC	WEISS
		ELR	=	ELETTROVALVOLA RIGENERAZIONE		REGENERATION SOLENOID VALVE			ELECTROSOUPAPE REGENERATION		REGENERIERUNGSMAGNETVENTIL						GRIGIO	GREY	GRIS	GRAU
B		ELCR	=	ELETTROVALVOLA CARICO		LOAD SOLENOID VALVE			ELECTROSOUPAPE CHARGEMENT		ZUFLUSS-MAGNETVENTIL						ARANCIO	ORANGE	ORANGE	ORANGE
		ELSC	=	ELETTROVALVOLA SCARICO		DRAIN SOLENOID VALVE			ELECTROSOUPAPE VIDANGE		ENTLEERUNGSMAGNETVENTIL						VIOLA	VIOLET	VIOLET	VIOLET
C		ST	=	SPIA TEMPERATURA		TEMPERATURE LIGHT			VOYANT TEMPERATURE		TEMPERATURSLEUCHTE						BLU	BLEU	BLEU	BLAU
		SC	=	SPIA CICLO		CYCLE LIGHT			VOYANT CYCLE		BETRIEBSLEUCHTE									
		SPR	=	SPIA RIGENERAZIONE		REGENERATION CYCLE LIGHT			VOYANT REGENERATION		REGENERIERUNGSLEUCHTE									
		SR	=	SPIA RETE		MAIN SWITCH LIGHT			VOYANT RESEAU ELECTRIQUE		NETZWERKSLEUCHTE									
		SA	=	SPIA ALLARME		ALARM WARNING LIGHT			VOYANT ALARME		ALARM-ANZEIGER									
		SV	=	SPIA VASCA		TANK LEVEL LIGHT			VOYANT NIVEAU CUVE		TANKWASSERNIVEAULAMPE									
D		RB	=	RESISTENZA BOILER		BOILER HEATING ELEMENT			RESISTANCE SURCHAUFFEUR		BOILERHEIZUNG									
		RV	=	RESISTENZA VASCA		TANK HEATING ELEMENT			RESISTANCE CUVE		TANKHEIZUNG									
E		IG	=	INTERRUTTORE GENERALE		MAIN SWITCH			INTERRUPTEUR GENERAL		HAUPTSCHALTER									
		IGD	=	INTERRUTTORE GENERALE STAND BY		STAND BY MAIN SWITCH			INTERUPTEUR GENERAL STAND BY		HAUPTSCHALTER STAND BY									
		MPC	=	MICRO PORTA Contatto		DOOR SAFETY SWITCH			MICRO SECURITE PORTE		MIKROTÜRKONTAKT									
		MPM	=	MICRO PORTA Magnetico		MAGNETIC DOOR SAFETY SWITCH			MICRO SECURITE PORTE MAGNETIQUE		MAGNETISCHE SICHERHEITSMIKROTUR									
F		PPS	=	PULSANTE POMPA SCARICO		DRAIN PUMP SWITCH			BOUTON POMPE DE VIDANGE		ENTLEERUNGSPUMPE-SCHALTER									
		PR	=	PRESSOSTATO		PRESSURE SWITCH			PRESSOSTAT		DRUCKWÄCHTER									
		PC	=	PULSANTE CICLO		CYCLE SWITCH			BOUTON DEMARREUR		TASTSCHALTER F. PROGRAMMANFLAU									
		PCR	=	PULSANTE CICLO RIGENERAZIONE		REGENERATION CYCLE SWITCH			VOYANT REGENERATION		REGENERIERUNGSBETRIEBSLEUCHTE									
		PRF	=	PULSANTE RISCIAQUO FREDDO		RINSE COLD WATER SWITCH			BOUTON DE RINCAGE FROID		KALTESPUHLUNG SCHALTER									
G		PPG	=	PULSANTE PROGRAMMAZIONE		PROGRAMMATION SWITCH			BOUTON PROGRAMMATION		PROGRAMMSCHALTER									
		DEVA/M	=	DEV. AUTOMATICO/MANUALE		AUTOMATIC/MANUAL SWITCH			SELECTEUR AUTOMATIQUE/MANUAL		AUTOMATISCHER/MANUAL WAHLER									
		DEV/C/F	=	DEV. RISCIAQUO CALDO/FREDDO		HOT/COLD RINSING SWITCH			COMM. DE RINCAGE CHAUD/FROID		UMSCHALTER F. KALT WARMWASSER									
H		TSP	=	TERMOSTATO SICUREZZA POMPA		PUMP SAFETY THERMOSTAT			THERMOSTAT SECURITE POMPE		SICHERUNGSTHERMOSTAT DER PUMPE									
		TV	=	TERMOSTATO VASCA		TANK THERMOSTAT			THERMOSTAT CUVE		TANKTHERMOSTAT									
		TB	=	TERMOSTATO BOILER		BOILER THERMOSTAT			THERMOSTAT SURCHAUFFEUR		BOIERTHERMOSTAT									
		TS	=	TERMOSTATO SICUREZZA		SAFETY THERMOSTAT			THERMOSTAT DE SECURITE		SICHERHEITSTHERMOSTAT									
I		MTz	=	TIMER CICLO		CYCLE TIMER			PROGRAMMATEUR DU CYCLE		ZYKLUSTIMER									
		MTzR	=	MOTORE TIMER RIGENERAZIONE		REGENERATION CYCLE MOTOR			MOTEUR DU RIGENERATION		SINCHRONMOT.F. REGENERIERUNGS TIMER									
		MTz(L)	=	MOTORE LENTO (MTz)		SLOW (MTz)			(MTz) LENT		LANGSAMER MOTOR									
		MTz(V)	=	MOTORE VELOCE (MTz)		FAST (MTz)			(MTz) RAPIDE		SCHNELLER MOTOR									
J		MT5	=	CONTATTORE TIMER BOBINA		CONTACTOR TIMER			CONTACTEUR DU PROGRAMMATEUR		NT5 SCHALTERKONTAKT									
		TLR	=	TELERUTTORE RESISTENZA		HEATING ELEMENT CONTACTOR			TELERUPTEUR RESISTANCE		HEIZUNGFERNSCHALTER-SCHÜTZ									
		TLPAP	=	TELERUTTORE PAP		BOOSTER PUMP CONTACTOR			TELERUPTEUR SURPRESSEUR		FERNSCHALTER-SCHÜTZ									
		TLP	=	TELERUTTORE POMPA		PUMP CONTACTOR			TELERUPTEUR POMPE		PUMPEFERNASCHALTER-SCHÜTZ									
		TLB	=	TELERUTTORE BOILER		BOILER CONTACTOR			TELERUPTEUR SURCHAUFFEUR		BOILERFERNASCHALTER-SCHÜTZ									
		TLV	=	TELERUTTORE VASCA		TANK CONTACTOR			TELERUPTEUR CUVE		TANKFERNASCHALTER-SCHÜTZ									
		Rln*	=	RELE'		RELAY			RELAIS		RELAIS									
		TPS	=	TIMER POMPA SCARICO		DRAIN PUMP TIMER			PROGRAMMATEUR POMPE DE VIDAGE		LAUGENPUMPE TIMER									
L		RM	=	RELE' TERMICO		THERMIC RELAY			RELAIS TERMIQUE		THERMISCH RELAIS									
		BL	=	BLOCCO PORTA		DOOR LOCK			SERRAGE PORTE		TÜRRSPERRE									

MARRONE	BROWN	MARON	BRAUN
CELESTE	BLUE	BLEU-CLAIR	HELL BLAU
NERO	BLACK	NOIR	SCHARZ
ROSSO	RED	ROUGE	ROT
VERDE	GREEN	VERT	GRUN
BIANCO	WHITE	BLANC	WEISS
GRIGIO	GREY	GRIS	GRAU
ARANCIO	ORANGE	ORANGE	ORANGE
VIOLA	VIOLET	VIOLET	VIOLET
BLU	BLEU	BLEU	BLAU



REV.	REV./DATE	IMPIANTO / INSTALLATION	TITOLO / TITLE	N. DIS.	FOGLIO	SEGUE
03	11/04/05	SCHEMA ELET.LAVASTOVIGLIE	LEGENDA SIGLE / LEGEND	47301-03.DWG	2	FOLLOWS
		220-240V 1P+N 50/60Hz	COD.DOC. 47301	N. ARCH. CI-47301-03		
				DATA EMISSIONE / DATE	TOT. FOGLI	TOT. PAGE
				25/02/03	2	2



* selector open 180 sec.
 * selector close 90 sec.

- ① only for 2 speed
- ② only for 1 speed

REV. 04	REV./DATE 05/04/05	aggiunto : versione 2 tempi con selettore versione 1 tempo	IMPIANTO / INSTALLATION SCHEMA ELET.LAVASTOVIGLIE	TITOLO / TITLE SCHEMA FUNZIONALE / ELECTRICAL DIAGRAM	N. DIS. 47310-04.dwg N. ARCH. CI-47310-04	FOGLIO PAGE 1	SEGUE FOLLOWS 2
			220-240V 1P+N 50/60Hz	COD.DOC. 47310	DATA EMISSIONE / DATE 13/11/03	TOT. FOGLI TOT. PAGE 2	2

	00	01	02	03	04	05	06	07	08	09	10	11	12	13	14	15	16	17	18	19		
A		C	=	CONDENSATORE	CONDENSER/CAPACITOR	CONDENSATEUR	KONDENSATOR															
		PL	=	POMPA LAVAGGIO	WASH PUMP	POMPE LAVAGE	WASCHPUMPE															
		DDE	=	DOSATORE DETERSIVO ELETTRICO	ELECTRIC DETERGENT PUMP	DOSEUR ELETRIQUE DETERGENT	DOSIERGERÄT															
		PS	=	POMPA SCARICO	DRAIN PUMP	POMPE DE VIDANGE	LAUGENPUMPE															
		PAP	=	POMPA AUMENTO PRESSIONE	BOOSTER PUMP	SURPRESSEUR	DRUCKERHOHUNGSPUMPE (ALS ZUBEHÖR)															
		ELC	=	ELETTROVALVOLA RISCIAQUO CALDO	RINSE HOT WATER SOLENOID VALVE	ELECTROSOUPE RINÇAGE CHAUD	WARMWASSER-MAGNETVENTIL															
		ELF	=	ELETTROVALVOLA RISCIAQUO FREDDO	RINSE COLD WATER SOLENOID VALVE	ELECTROSOUPE RINÇAGE FROID	KALTWASSER-MAGNETVENTIL															
		ELR	=	ELETTROVALVOLA RIGENERAZIONE	REGENERATION SOLENOID VALVE	ELECTROSOUPE REGENERATION	REGENERIERUNGSMAGNETVENTIL															
		ELCR	=	ELETTROVALVOLA CARICO	LOAD SOLENOID VALVE	ELECTROSOUPE CHARGEMENT	ZUFLUSS-MAGNETVENTIL															
		ELSC	=	ELETTROVALVOLA SCARICO	DRAIN SOLENOID VALVE	ELECTROSOUPE VIDANGE	ENTLEERUNGSMAGNETVENTIL															
		ST	=	SPIA TEMPERATURA	TEMPERATURE LIGHT	VOYANT TEMPERATURE	TEMPERATURSLEUCHE															
		SC	=	SPIA CICLO	CYCLE LIGHT	VOYANT CYCLE	BETRIEBSLEUCHE															
		SPR	=	SPIA RIGENERAZIONE	REGENERATION CYCLE LIGHT	VOYANT REGENERATION	REGENERIERUNGSLEUCHE															
		SR	=	SPIA RETE	MAIN SWITCH LIGHT	VOYANT RESEAU ELECTRIQUE	NETZEWRKSLEUCHE															
		SA	=	SPIA ALLARME	ALARM WARNING LIGHT	VOYANT ALARME	ALARM-ANZEIGER															
		SV	=	SPIA VASCA	TANK LEVEL LIGHT	VOYANT NIVEAU CUVE	TANKWASSERNIVEAULAMPE															
	B		RB	=	RESISTENZA BOILER	BOILER HEATING ELEMENT	RESISTANCE SURCHAUFFEUR	BOILERHEIZUNG														
			RV	=	RESISTENZA VASCA	TANK HEATING ELEMENT	RESISTANCE CUVE	TANKHEIZUNG														
	C		IG	=	INTERRUTTORE GENERALE	MAIN SWITCH	INTERRUPTEUR GENERAL	HAUPTSCHALTER														
		IGD	=	INTERRUTTORE GENERALE STAND BY	STAND BY MAIN SWITCH	INTERRUPTEUR GENERAL STAND BY	HAUPTSCHALTER STAND BY															
D		MPC	=	MICRO PORTA Contatto	DOOR SAFETY SWITCH	MICRO SECURITE PORTE	MIKROTÜRCONTACT															
		MPM	=	MICRO PORTA Magnetico	MAGNETIC DOOR SAFETY SWITCH	MICRO SECURITE PORTE MAGNETIQUE	MAGNETISCHE SICHERHEITSMIKROTUR															
E		PPS	=	PULSANTE POMPA SCARICO	DRAIN PUMP SWITCH	BOUTON POMPE DE VIDANGE	ENTLEERUNGSPUMPE-SCHALTER															
		PR	=	PRESSOSTATO	PRESSURE SWITCH	PRESSOSTAT	DRUCKWÄCHTER															
F		PC	=	PULSANTE CICLO	CYCLE SWITCH	BOUTON DEMARREUR	TASTSCHALTER F. PROGRAMMANFLAU															
		PCR	=	PULSANTE CICLO RIGENERAZIONE	REGENERATION CYCLE SWITCH	VOYANT REGENERATION	REGENERIERUNGSBETRIEBSLEUCHE															
G		PRF	=	PULSANTE RISCIAQUO FREDDO	RINSE COLD WATER SWITCH	BOUTON DE RINCAGE FROID	KALTESPUHLUNG SCHALTER															
		PPG	=	PULSANTE PROGRAMMAZIONE	PROGRAMMATION SWITCH	BOUTON PROGRAMMATION	PROGRAMMSCHALTER															
H		DEVAM	=	DEV. AUTOMATICO/MANUALE	AUTOMATIC/MANUAL SWITCH	SELECTEUR AUTOMATIQUE/MANUAL	AUTOMATISCHER/MANUAL WAHLER															
		DEVCF	=	DEV. RISCIAQUO CALDO/FREDDO	HOT/COLD RINSING SWITCH	COMM. DE RINCAGE CHAUD/FROID	UMSCHALTER F. KALT WARMWASSER															
I		TSP	=	TERMOSTATO SICUREZZA POMPA	PUMP SAFETY THERMOSTAT	THERMOSTAT SECURITE POMPE	SICHERUNGSTERMOSTAT DER PUMPE															
		TV	=	TERMOSTATO VASCA	TANK THERMOSTAT	THERMOSTAT CUVE	TANKTHERMOSTAT															
J		TB	=	TERMOSTATO BOILER	BOILER THERMOSTAT	THERMOSTAT SURCHAUFFEUR	BOIERTHERMOSTAT															
		TS	=	TERMOSTATO SICUREZZA	SAFETY THERMOSTAT	THERMOSTAT DE SECURITE	SICHERHEITSTERMOSTAT															
K		MTz	=	TIMER CICLO	CYCLE TIMER	PROGRAMMATEUR DU CYCLE	ZYKLUSTIMER															
		MTzR	=	MOTORE TIMER RIGENERAZIONE	REGENERATION CYCLE MOTOR	MOTEUR DU RIGENERATION	SINCHRONMOT.F. REGENERIERUNGS TIMER															
L		MTz(L)	=	MOTORE LENTO (MTz)	SLOW (MTz)	(MTz) LENT	LANGSAMER MOTOR															
		MTz(V)	=	MOTORE VELOCE (MTz)	FAST (MTz)	(MTz) RAPIDE	SCHNELLER MOTOR															
M		MT5	=	CONTATTORE TIMER BOBINA	CONTACTOR TIMER	CONTACTEUR DU PROGRAMMATEUR	NT5 SCHALTERCONTACT															
		TLR	=	TELERUTTORE RESISTENZA	HEATING ELEMENT CONTACTOR	TELERUPTEUR RESISTANCE	HEIZUNGFERNSCHALTER-SCHÜTZ															
N		TLPAP	=	TELERUTTORE PAP	BOOSTER PUMP CONTACTOR	TELERUPTEUR SURPRESSEUR	FERNSCHALTER-SCHÜTZ															
		TLP	=	TELERUTTORE POMPA	PUMP CONTACTOR	TELERUPTEUR POMPE	PUMPEFERNASCHALTER-SCHÜTZ															
O		TLB	=	TELERUTTORE BOILER	BOILER CONTACTOR	TELERUPTEUR SURCHAUFFEUR	BOILERFERNASCHALTER-SCHÜTZ															
		TLV	=	TELERUTTORE VASCA	TANK CONTACTOR	TELERUPTEUR CUVE	TANKFERNASCHALTER-SCHÜTZ															
P		RLn°	=	RELE'	RELAY	RELAIS	RELAIS															
		TPS	=	TIMER POMPA SCARICO	DRAIN PUMP TIMER	PROGRAMMATEUR POMPE DE VIDAGE	LAUGENPUMPE TIMER															
Q		RM	=	RELE' TERMICO	THERMIC RELAY	RELAIS TERMIQUE	THERMISCH RELAIS															
		BL	=	BLOCCO PORTA	DOOR LOCK	SERRAGE PORTE	TÜRSPERRE															

REV. 04
REV.DATE 05/04/05

IMPIANTO / INSTALLATION
SCHEMA ELET.LAVASTOVIGLIE
220-240V 1P+N 50/60Hz

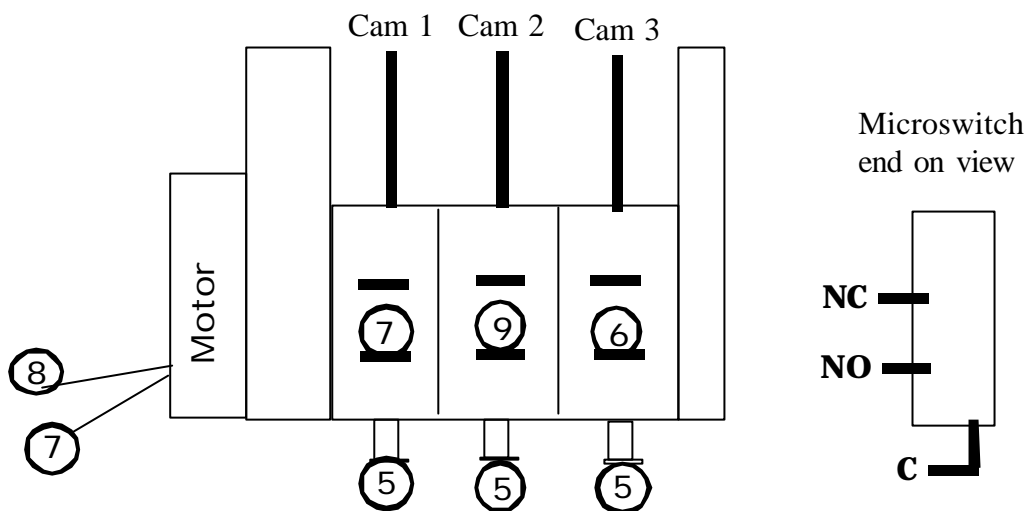
TITOLO / TITLE
LEGENDA SIGLE / LEGEND
COD.DOC. 47310

N. DIS. 47310-04.dwg
N. ARCH. CI47310-04
FOGLIO PAGE 2
SEGUE FOLLOWS
DATA EMISSIONE / DATE 13/11/03
TOT. FOGLI TOT. PAGE 2

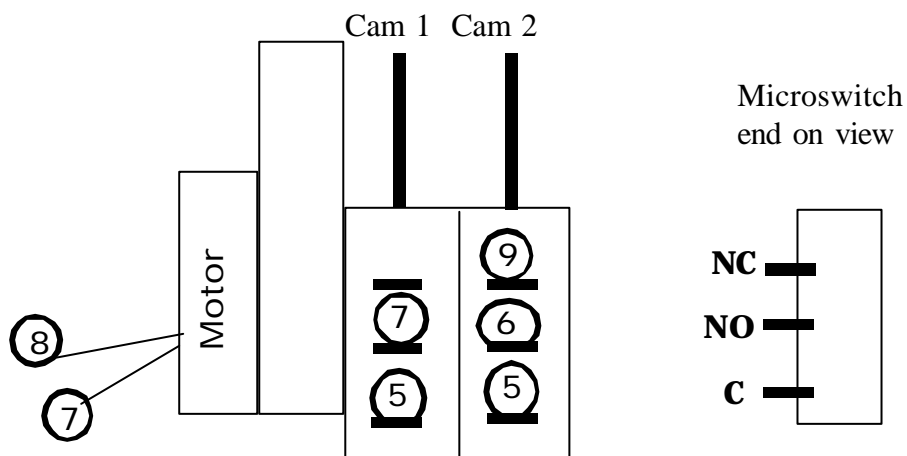
Halcyon 16 (Gravity Models)

Timer wiring

Both timers are interchangeable



Part code HA10708/L
Manufacturer CDC



Part code MH100187
Manufacturer Crouzet