

# easicook.co.uk

## Spare Parts Manual

Leading UK Distributors  
of Catering Equipment Since 1977

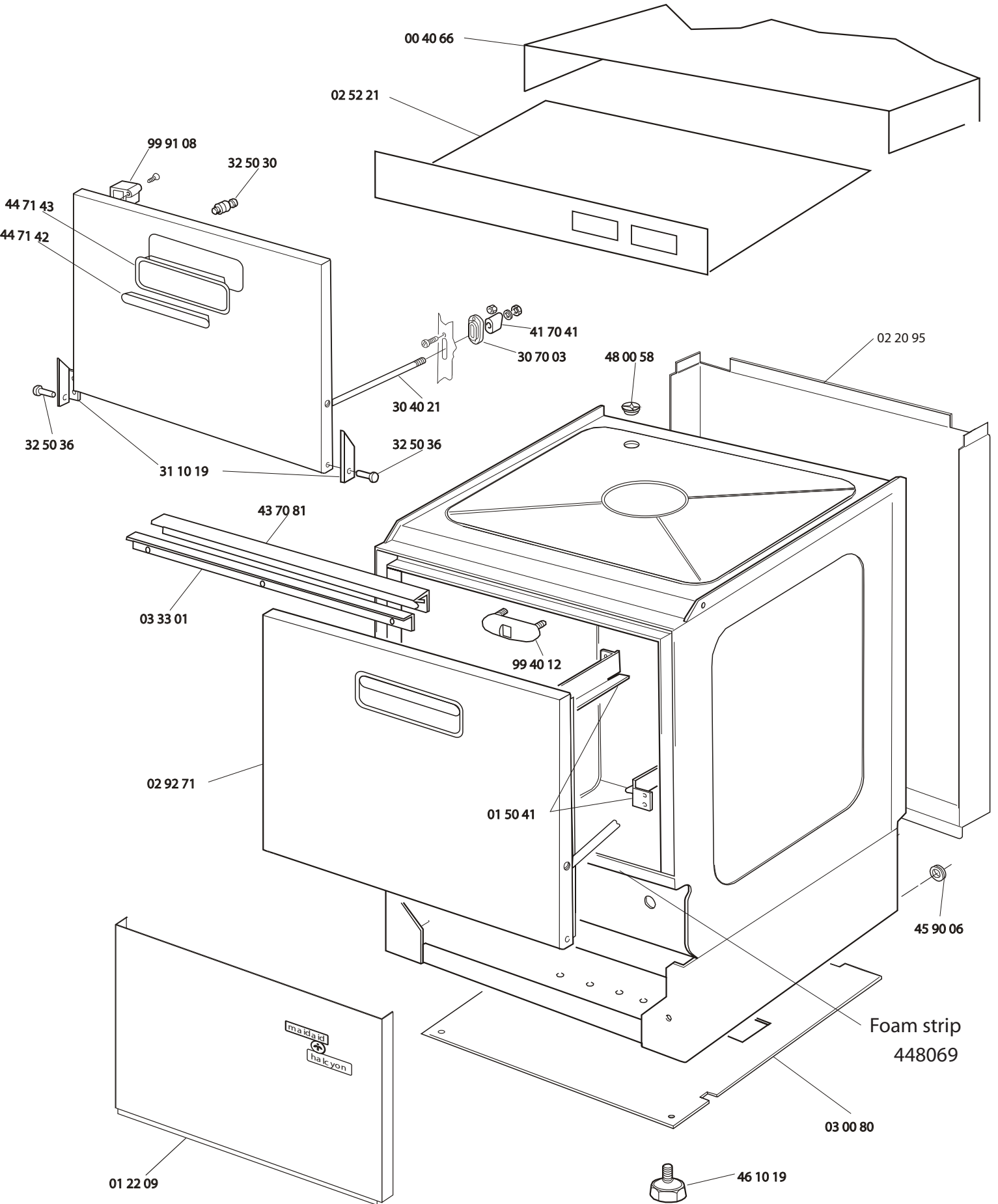
Sales - Repairs - Spares

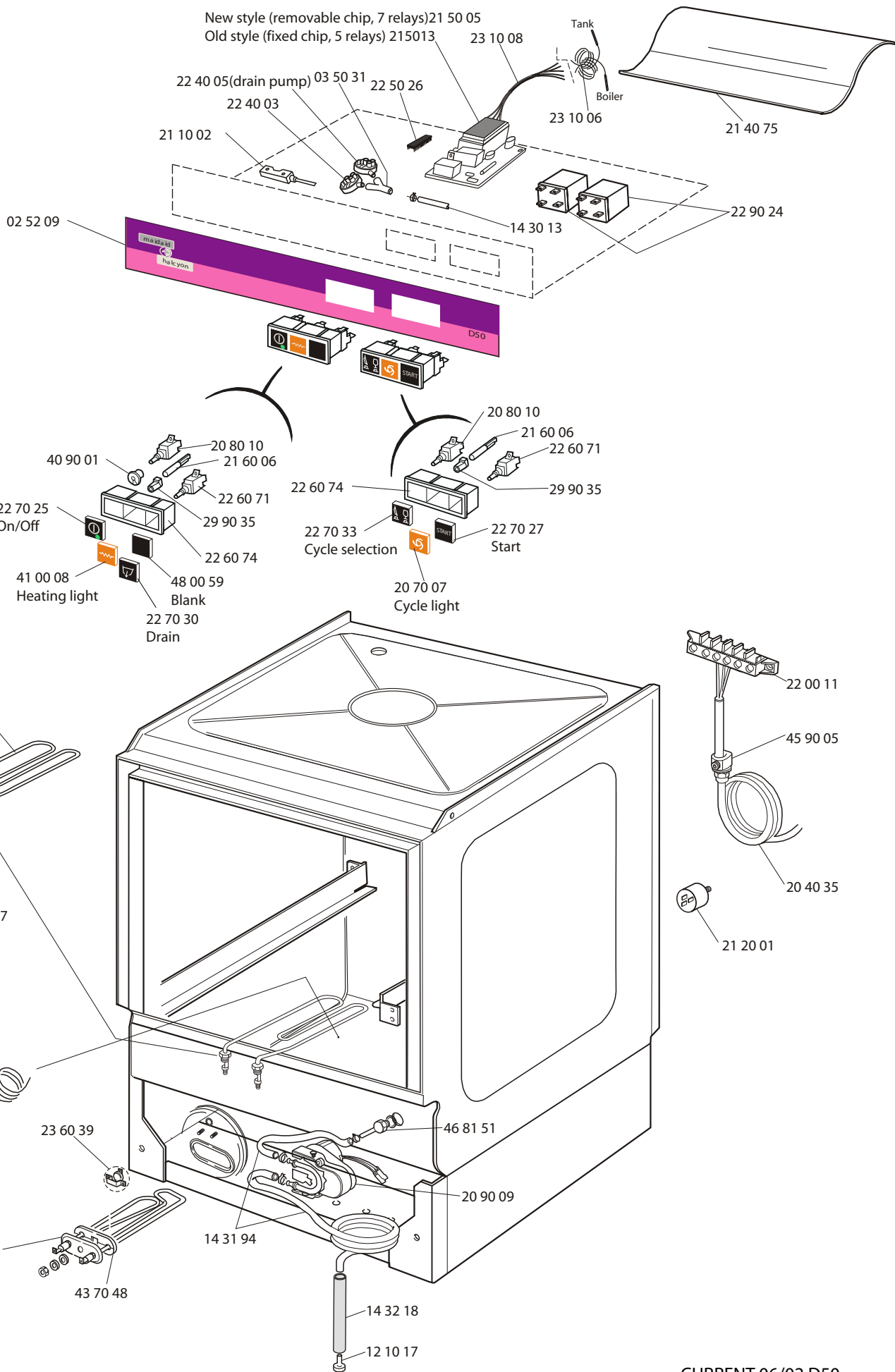
Tel: 029 20747567

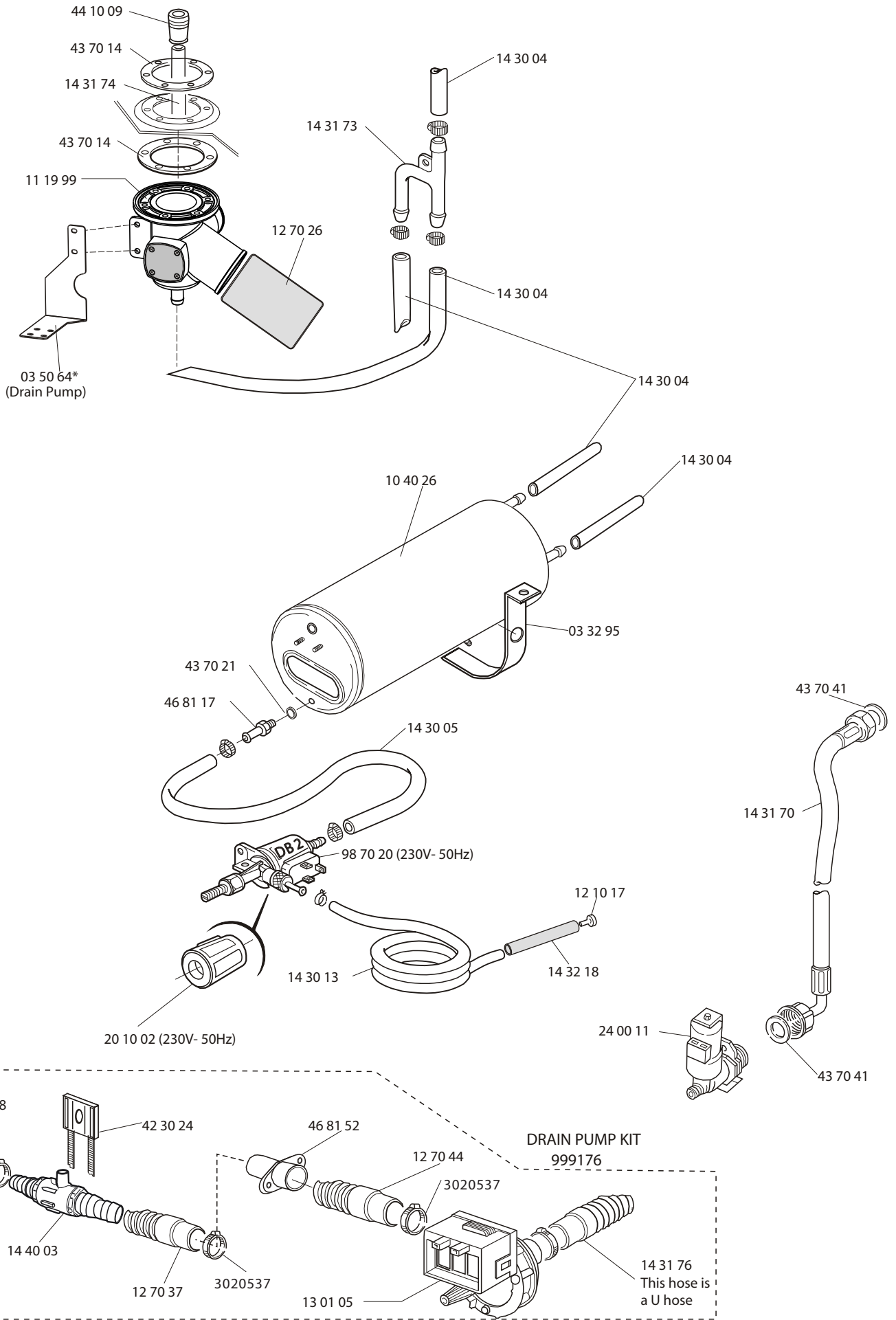
Fax: 029 20214100

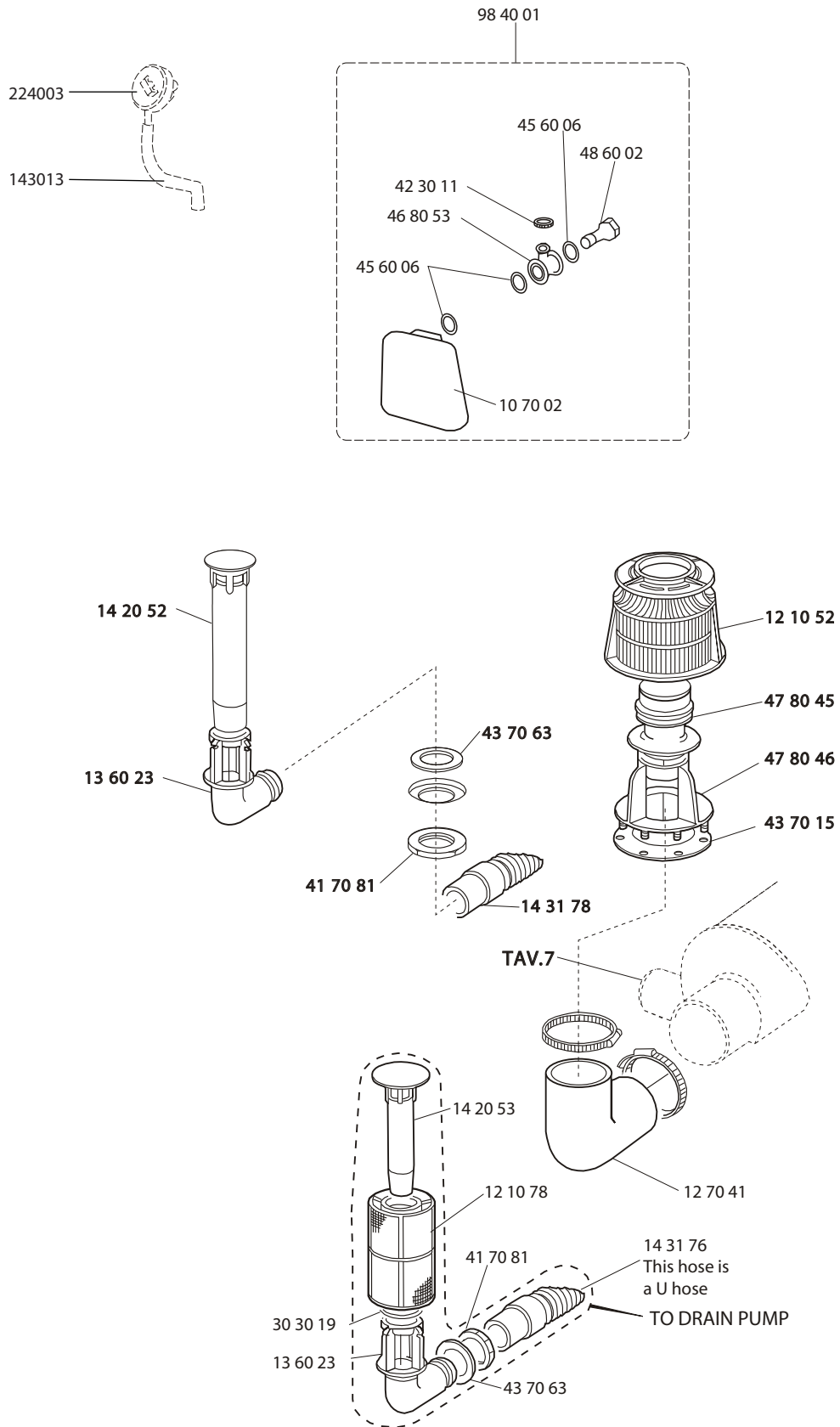
Email: [info@easicook.co.uk](mailto:info@easicook.co.uk)

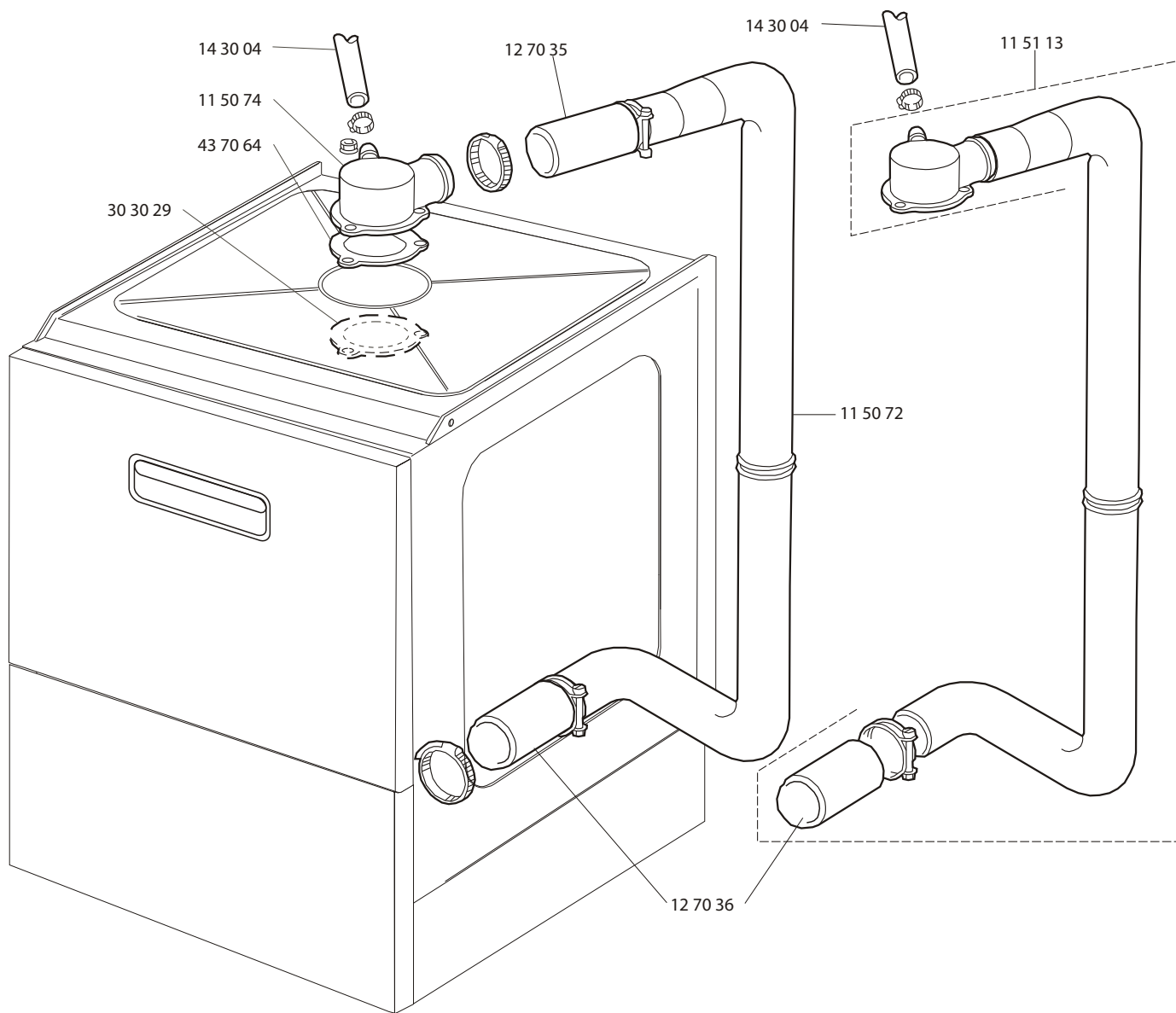
[Click Here for Live Online Chat](#)



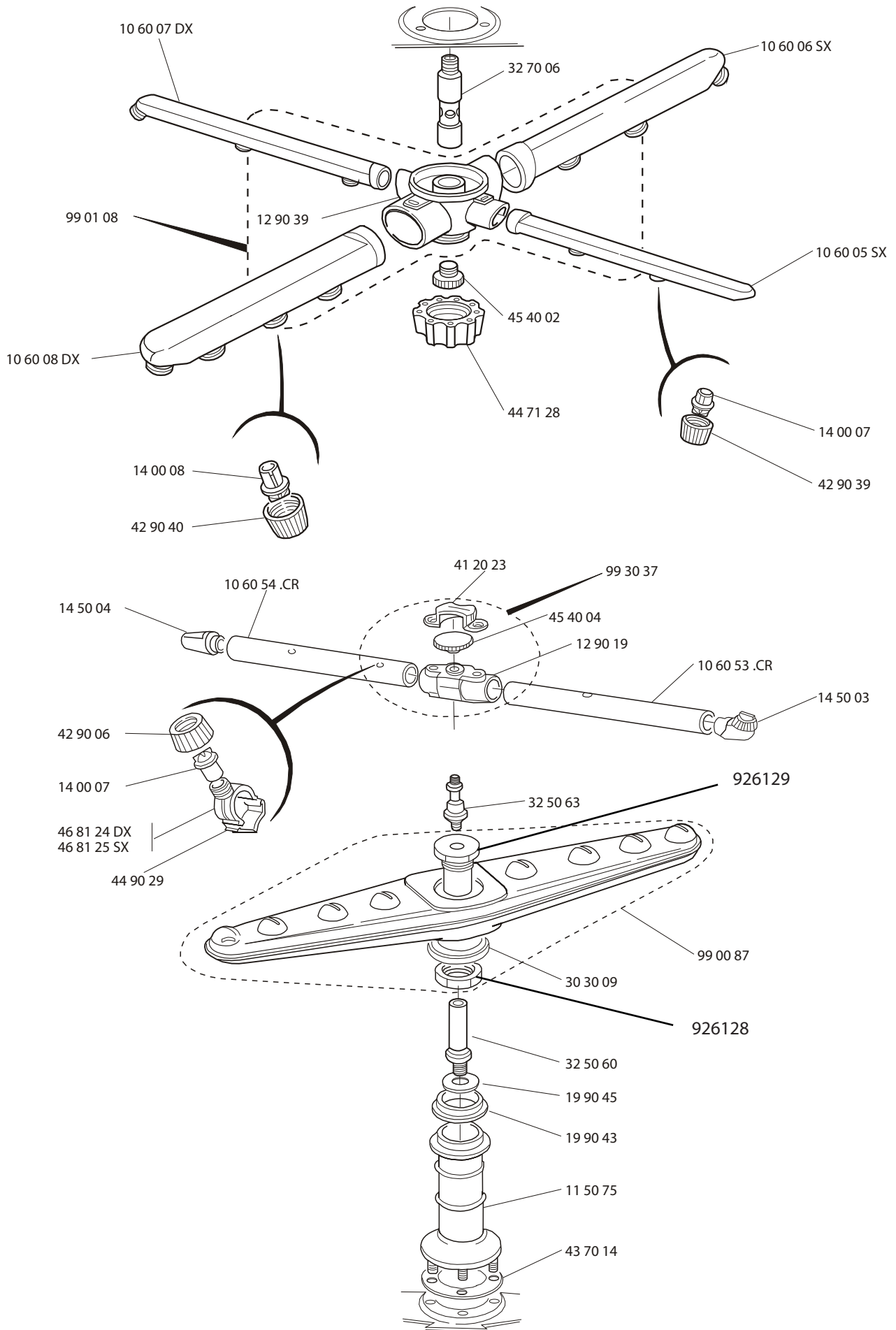








# 6

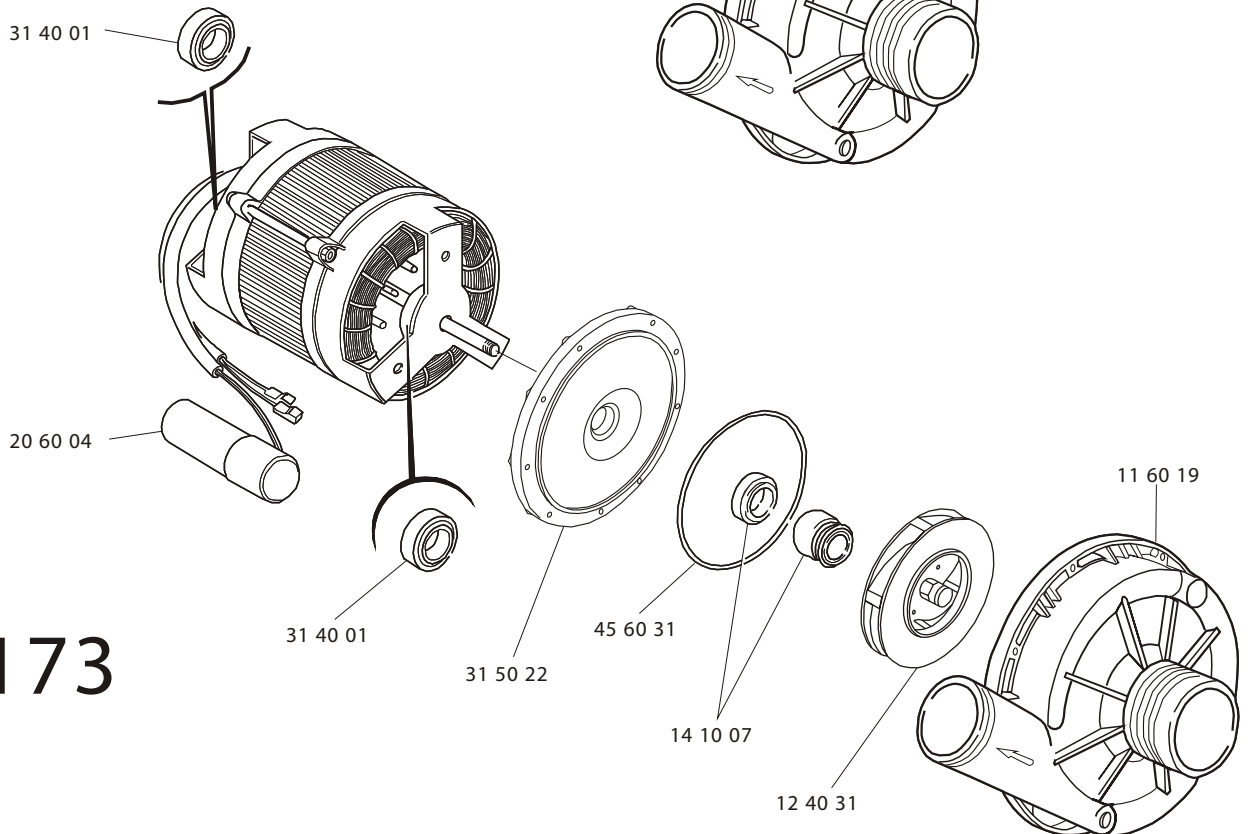
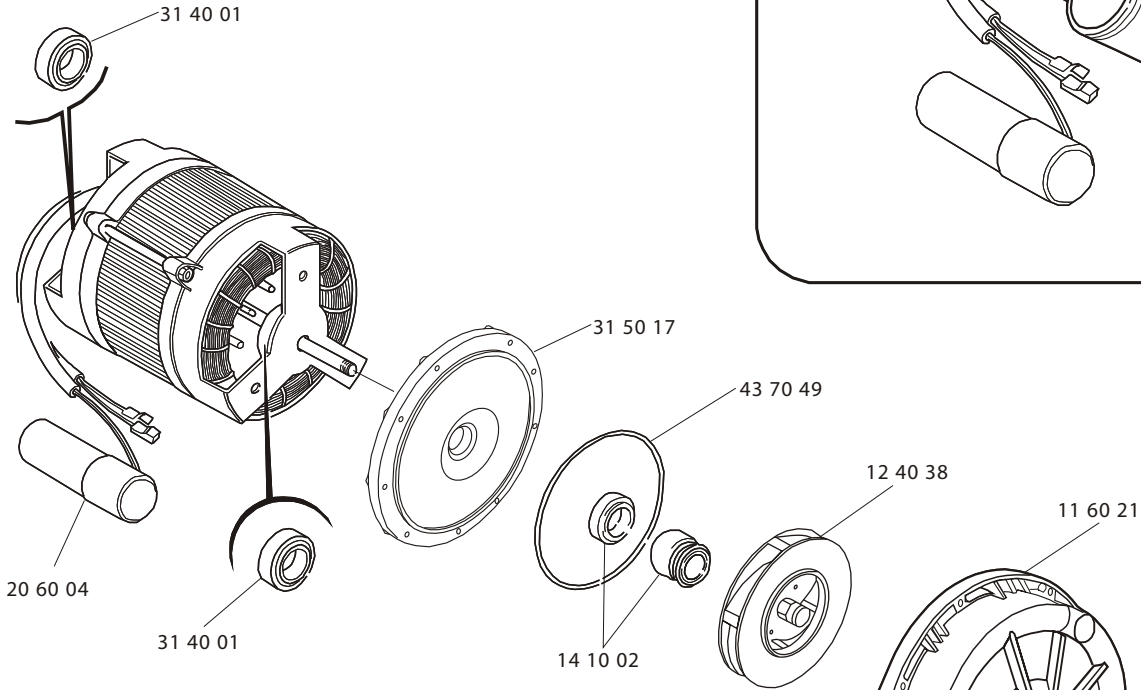
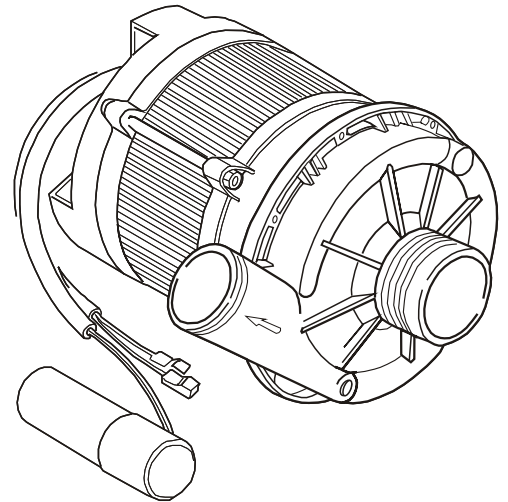


Before serial number 231013



B. 237

13 01 09 (230V- 50Hz)



T. 173