

# easicook.co.uk

## Spare Parts Manual

Leading UK Distributors  
of Catering Equipment Since 1977

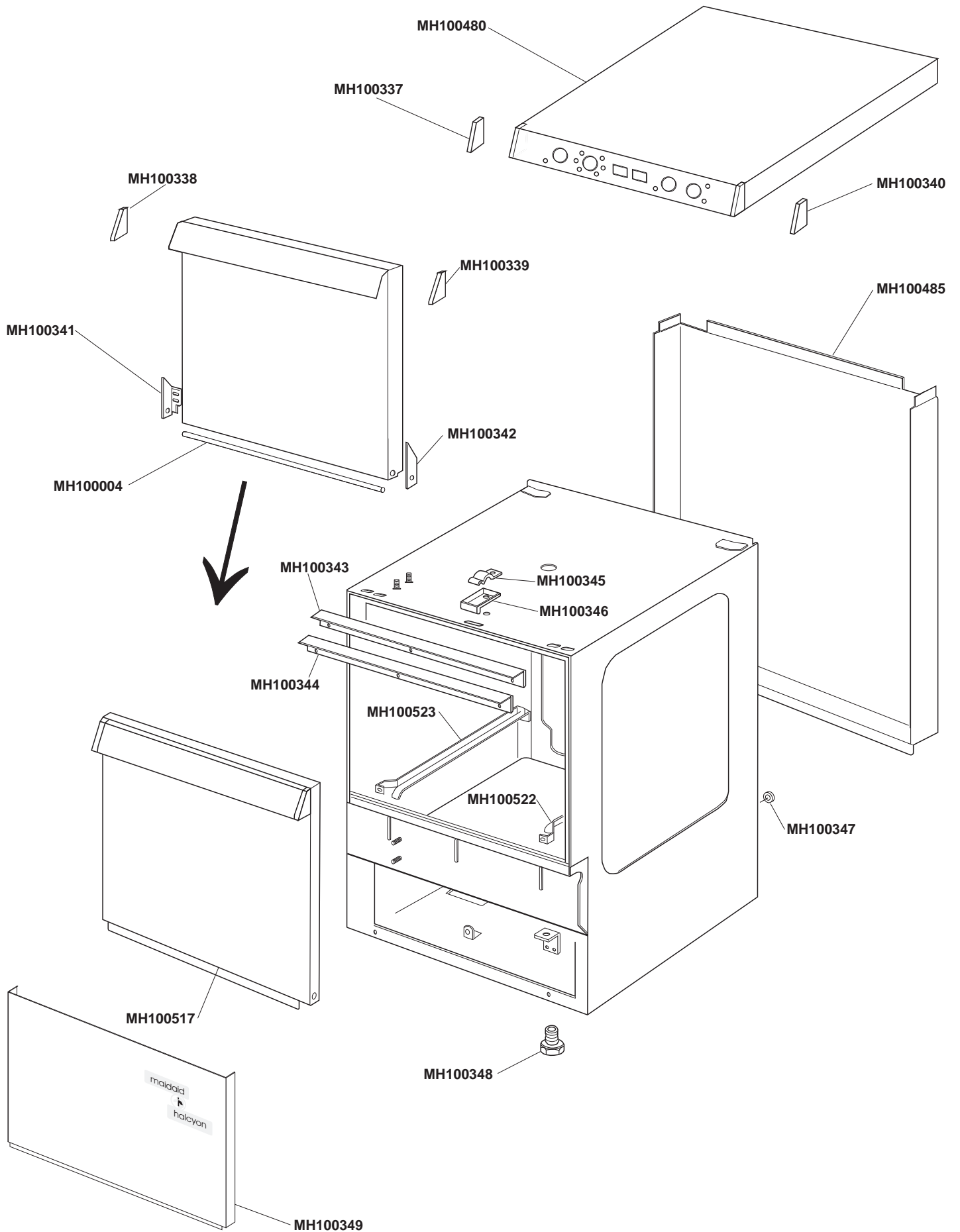
Sales - Repairs - Spares

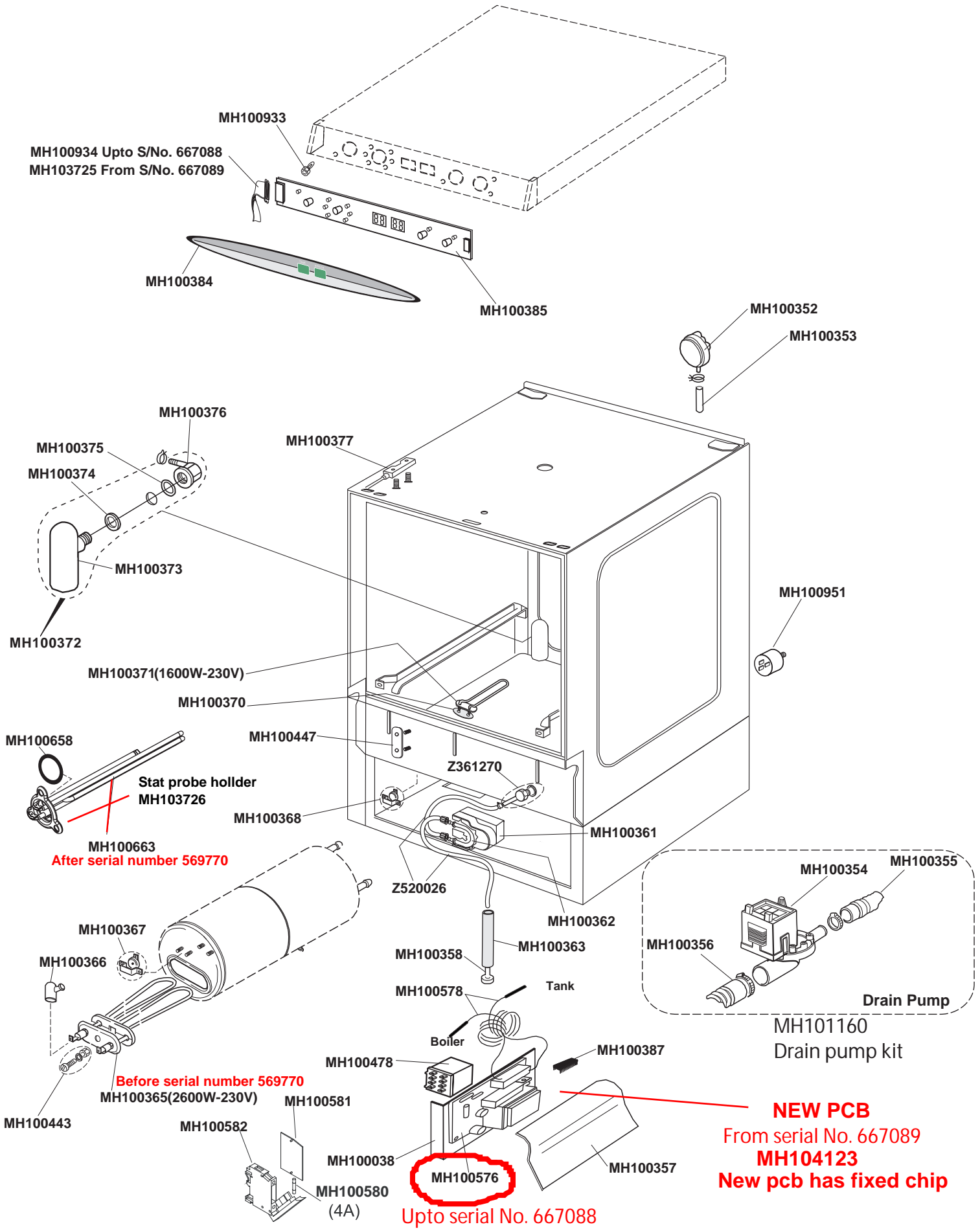
Tel: 029 20747567

Fax: 029 20214100

Email: [info@easicook.co.uk](mailto:info@easicook.co.uk)

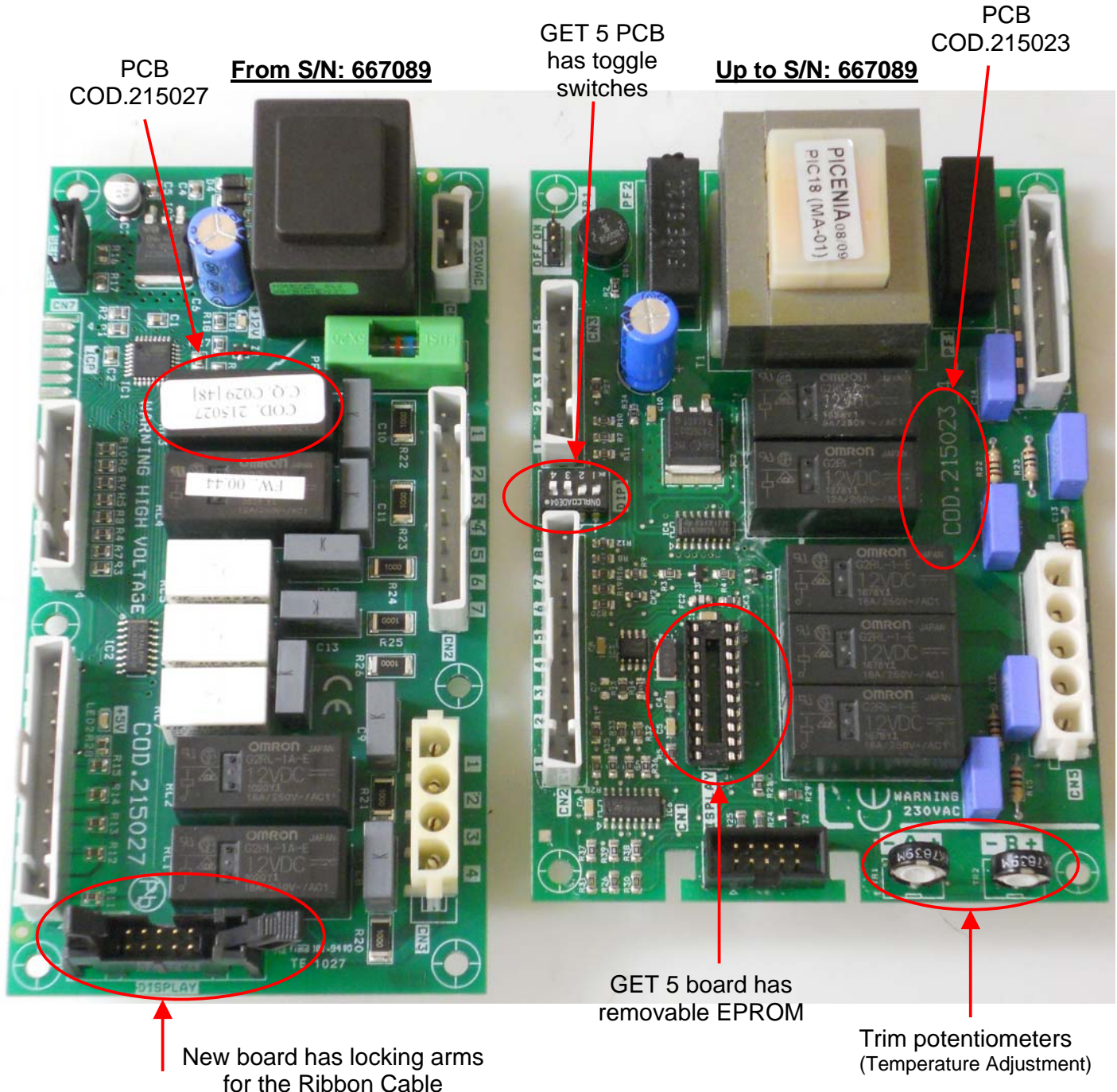
[Click Here for Live Online Chat](#)







# GET 5 & GET50 "D" Range PCB's



**GET 50 PCB**

**GET 5 PCB**

