

# easicook.co.uk

## Spare Parts Manual

Leading UK Distributors  
of Catering Equipment Since 1977

Sales - Repairs - Spares

Tel: 029 20747567

Fax: 029 20214100

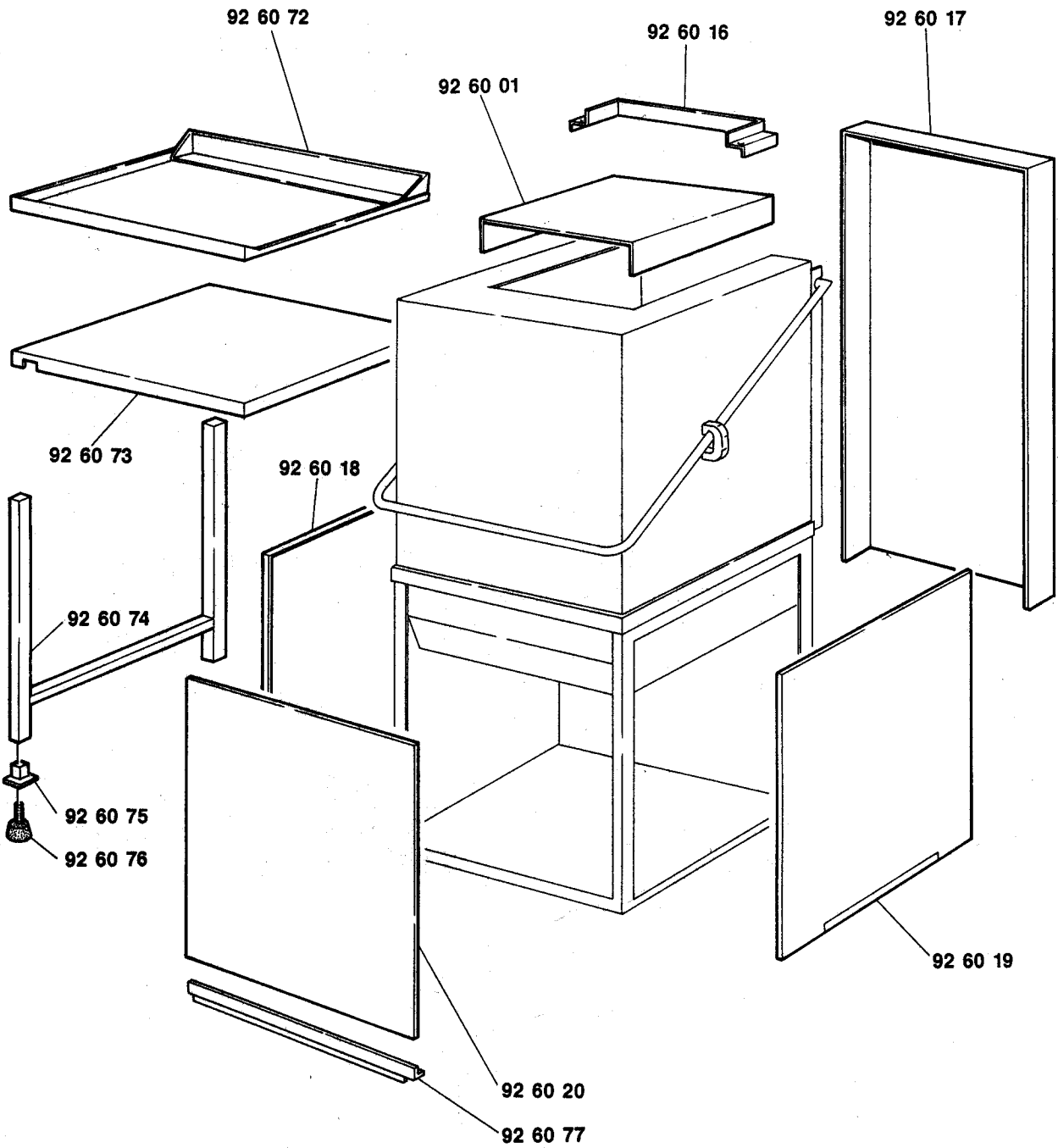
Email: [info@easicook.co.uk](mailto:info@easicook.co.uk)

[Click Here for Live Online Chat](#)

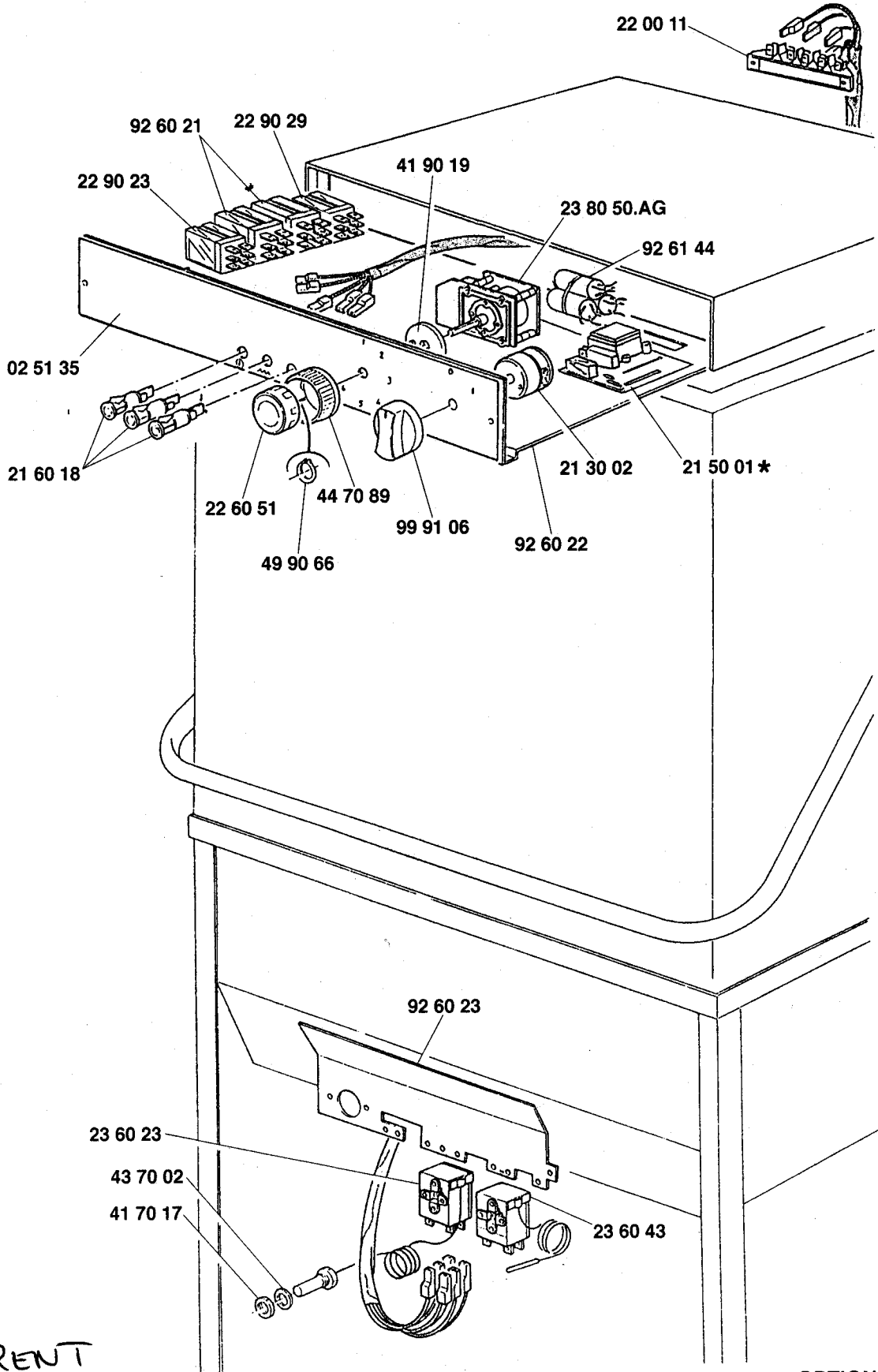


TABLING SET  
P/N 717021

LENGHTI 700mm





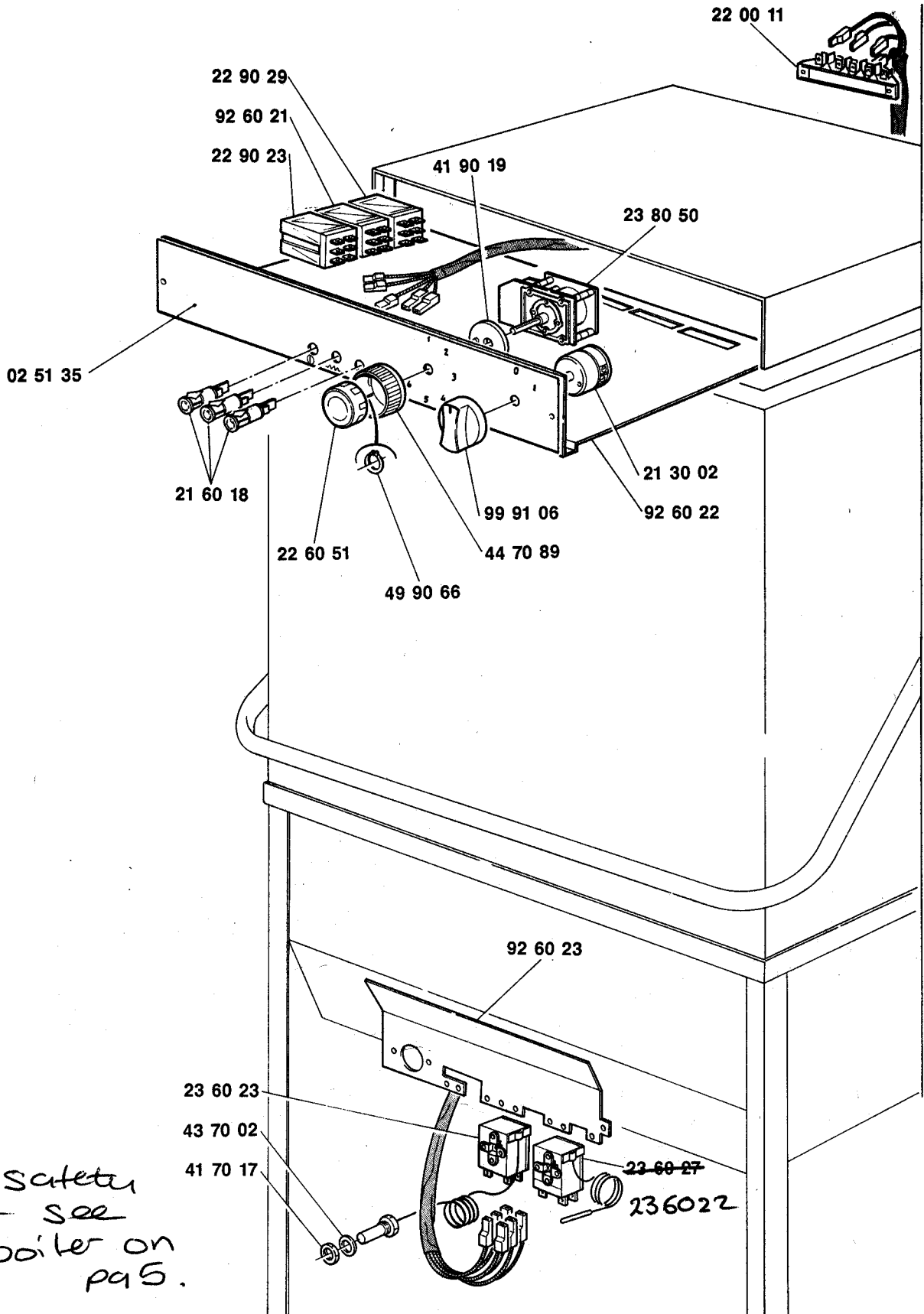


CURRENT  
3/97

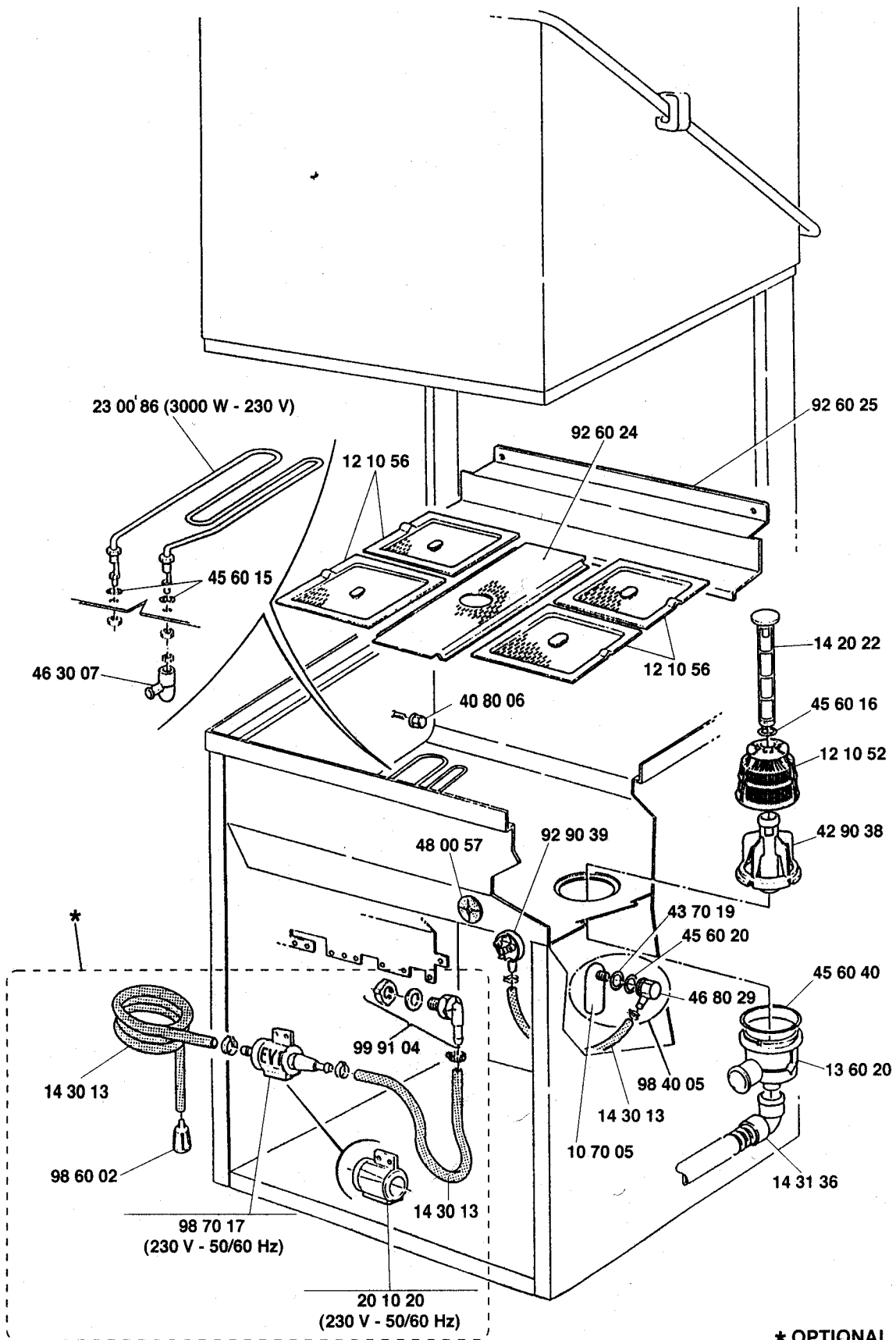
\* OPTIONAL

RELAYS  
 229023  
 229029  
 926021

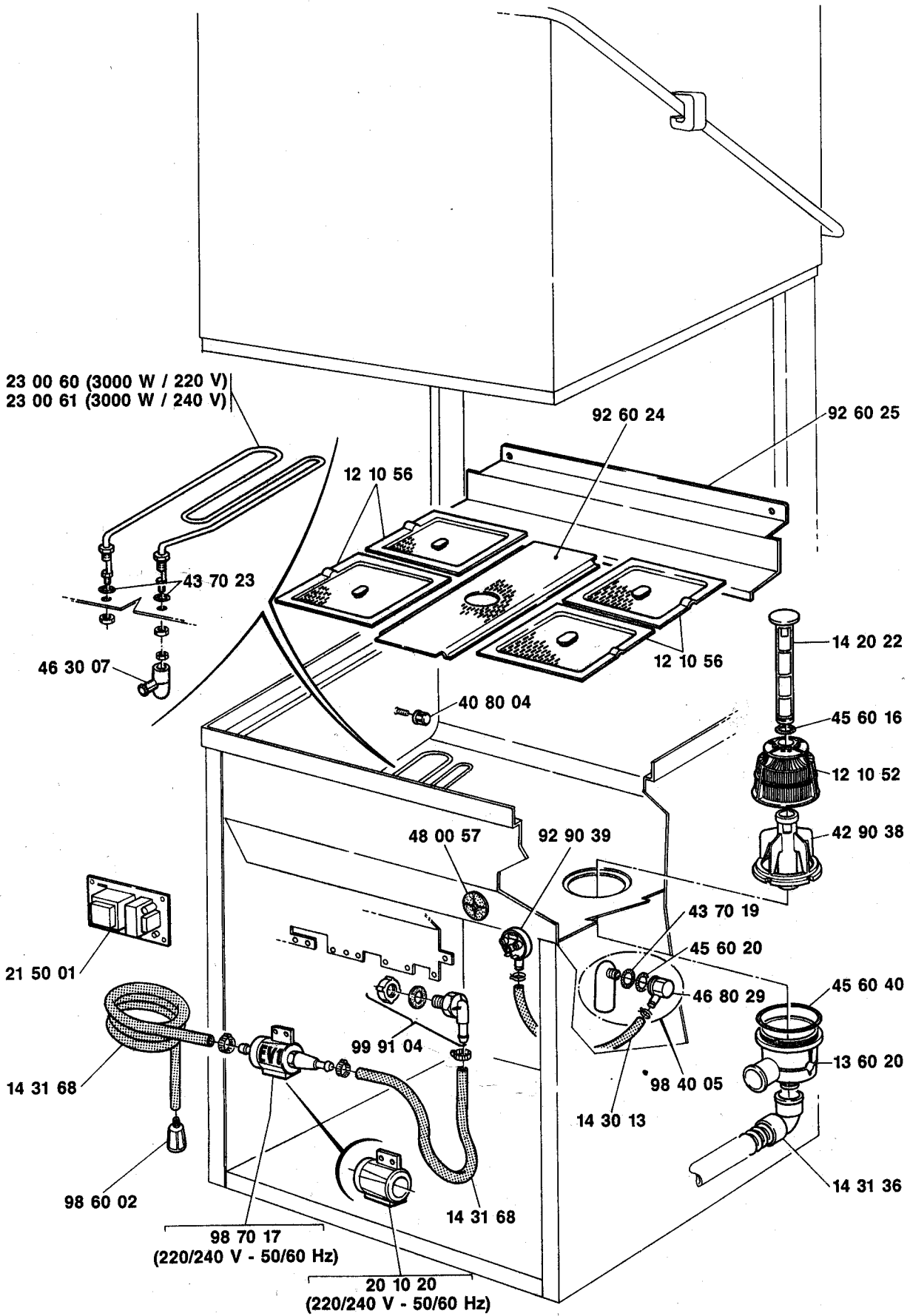
8 PIN 10A  
 4 PIN 30A  
 8 PIN 16A



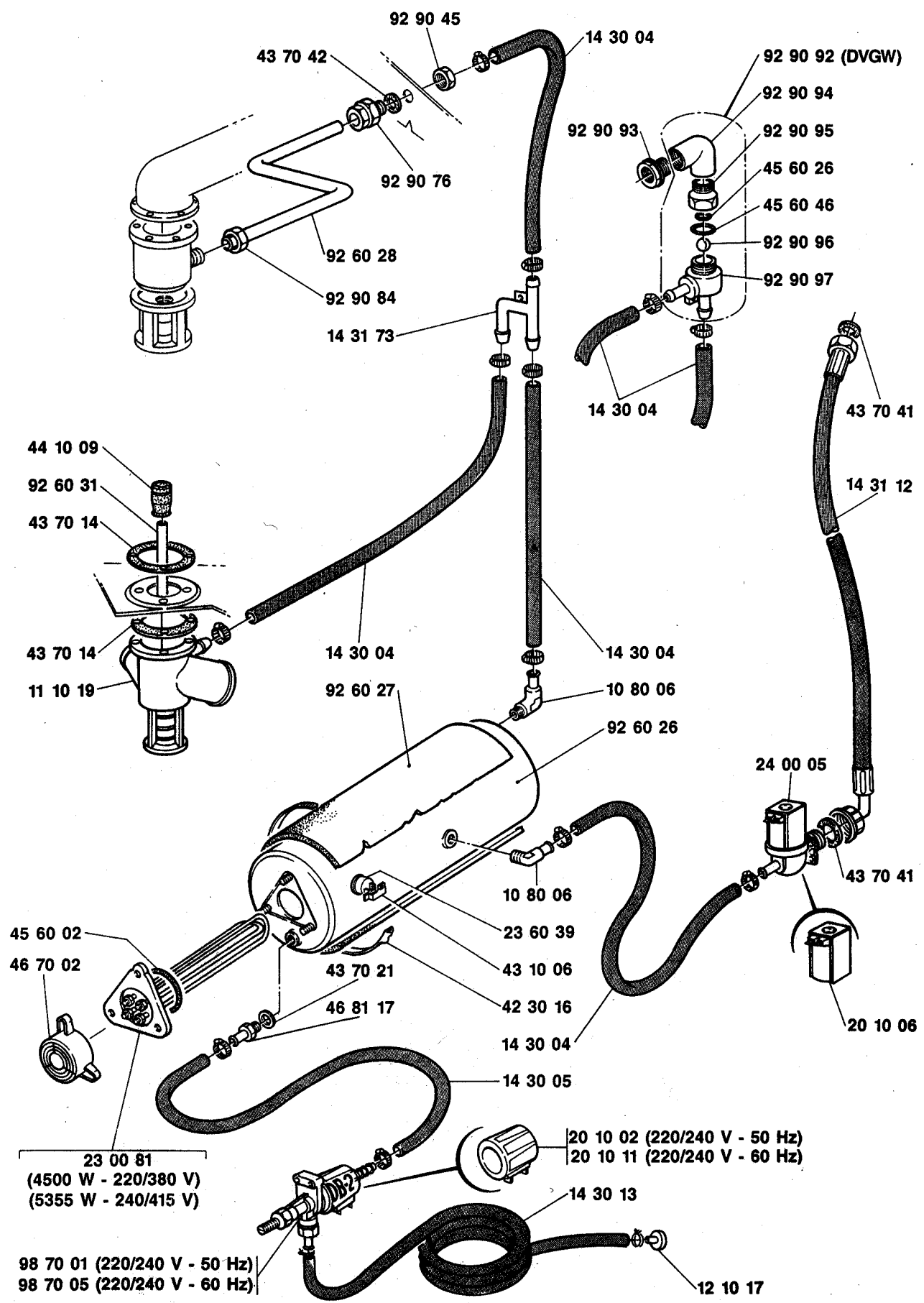
For safety  
 start see  
 boiler on  
 pg 5.

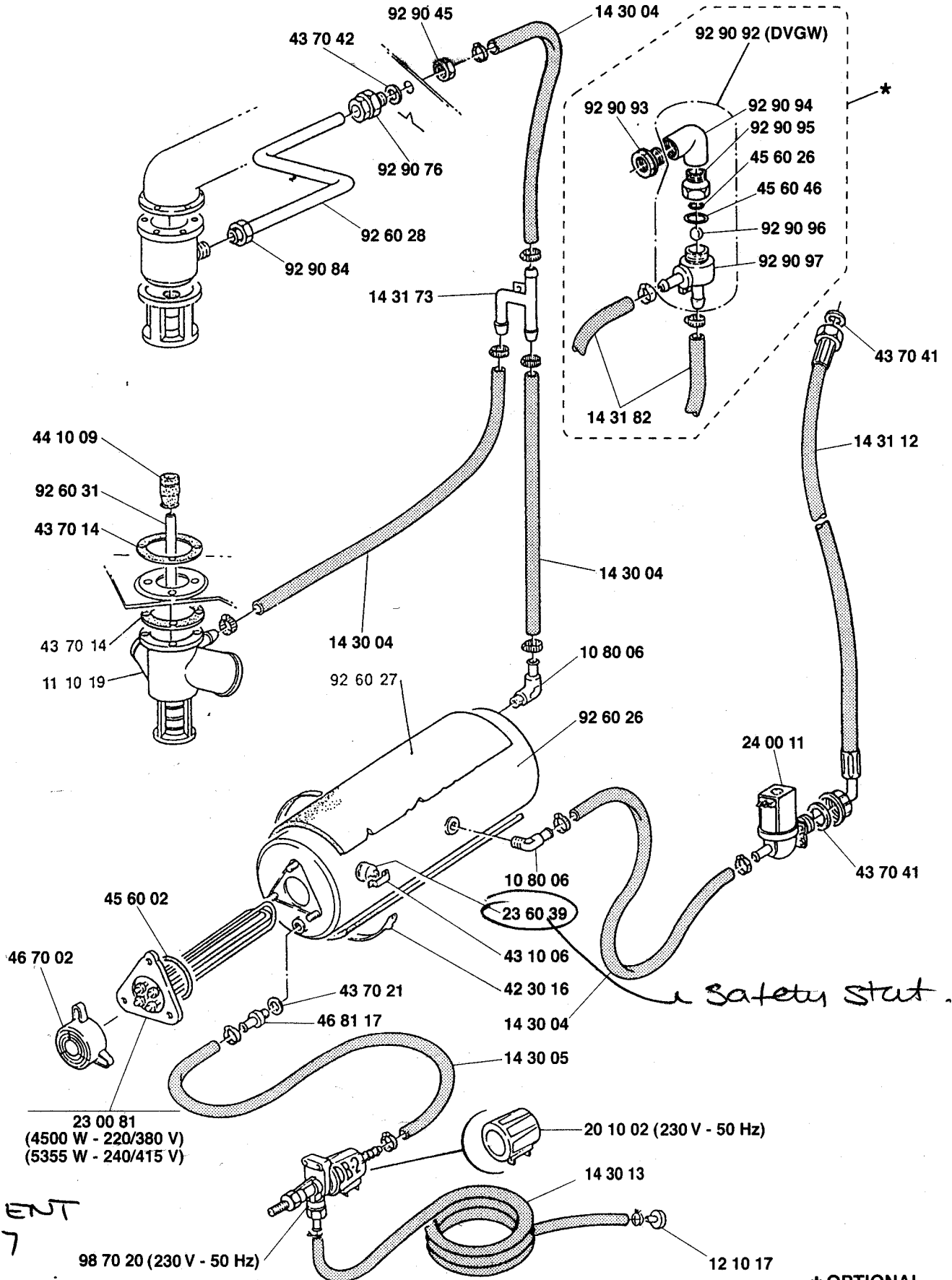


CURRENT  
3/97

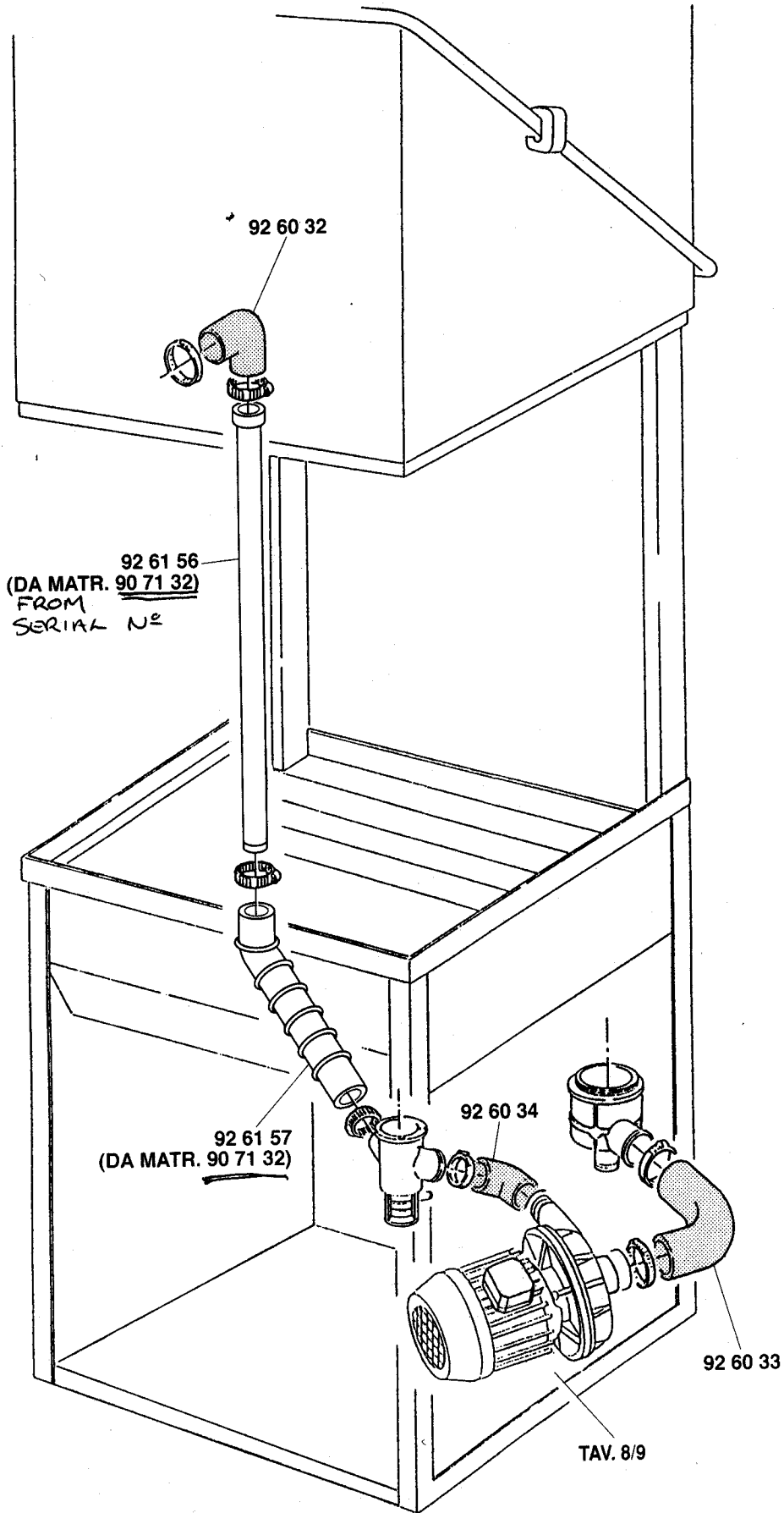


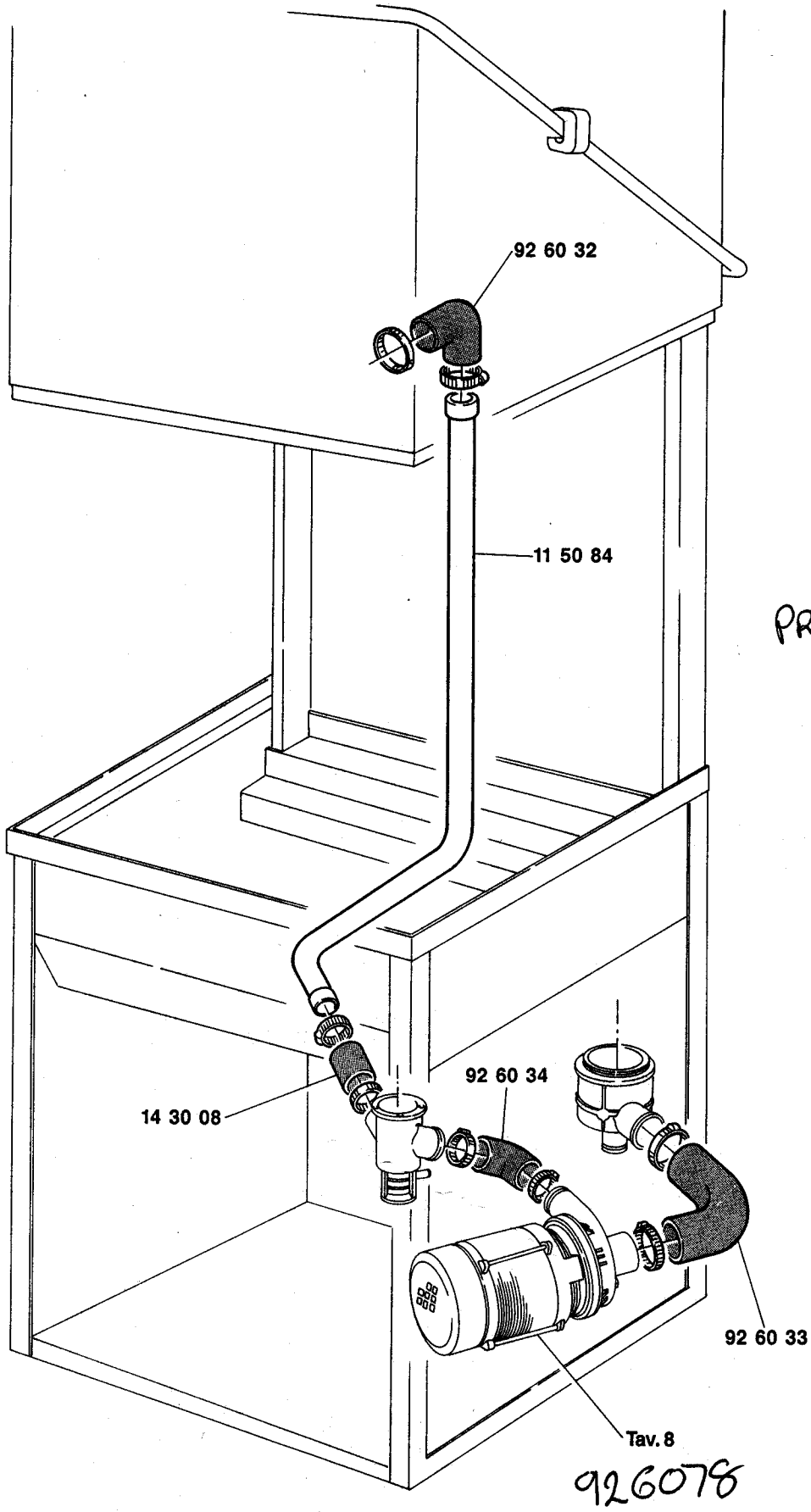






CURRENT  
3/97





7

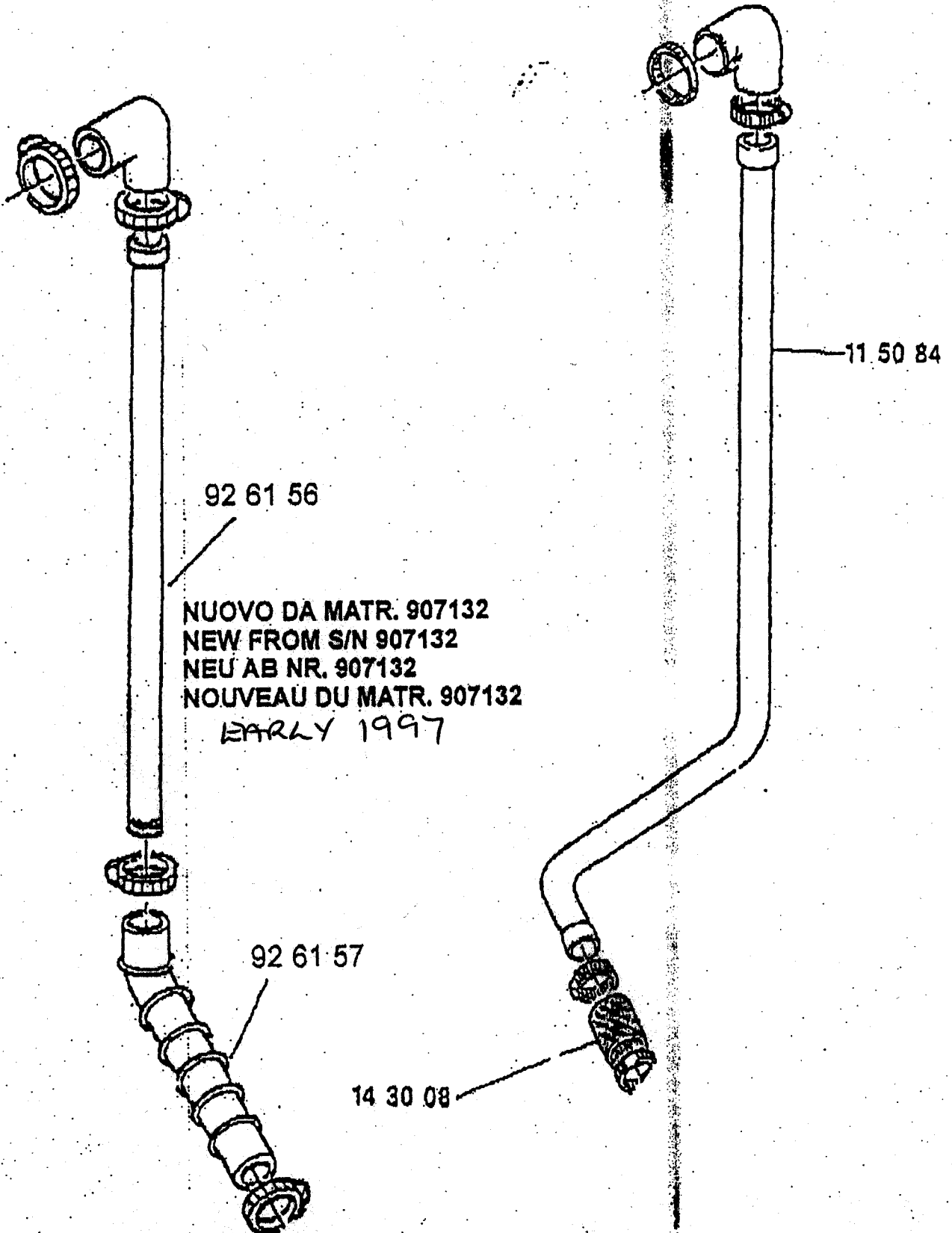
**Elettrobar**

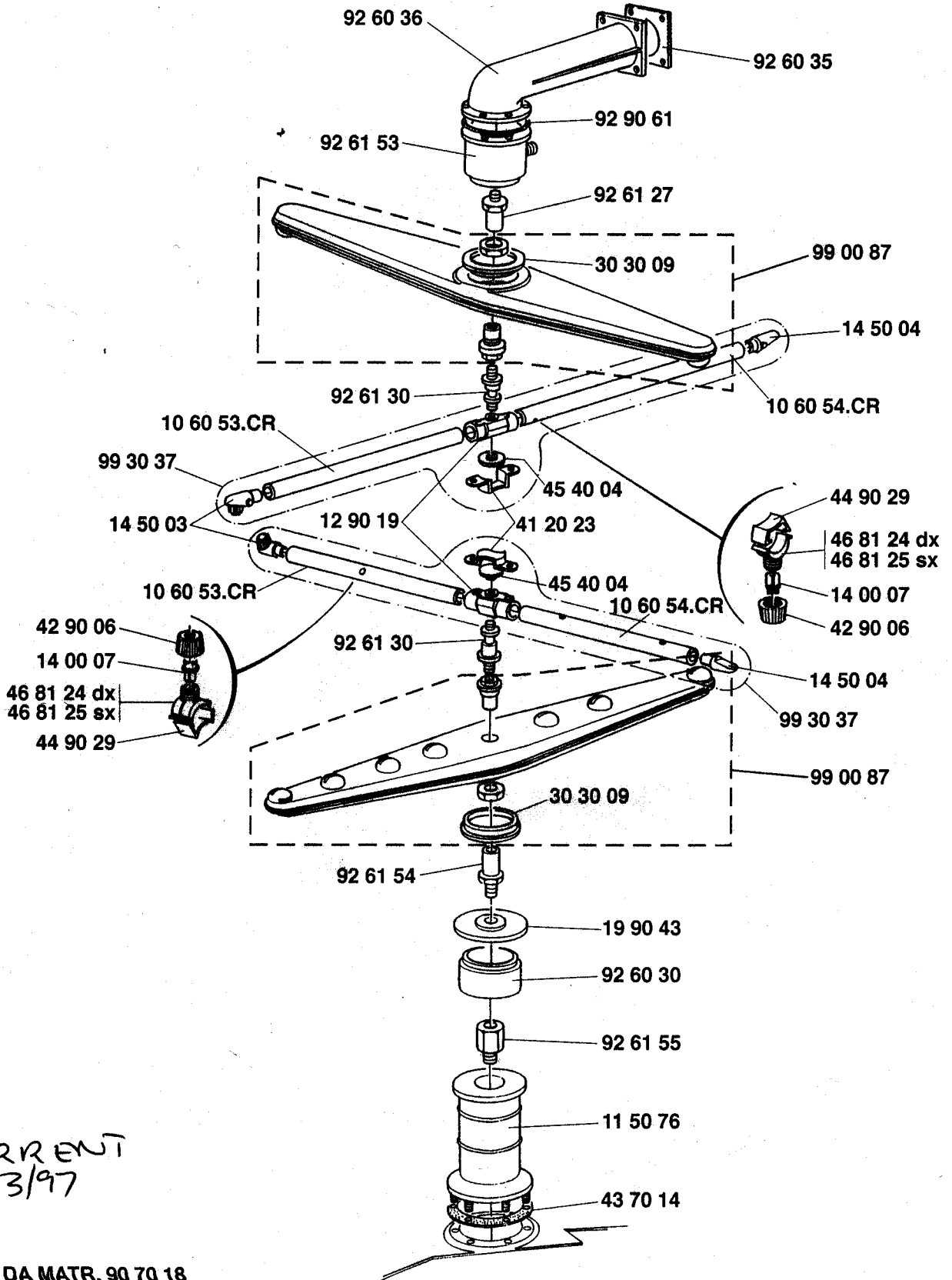
**MOD. CLEAN 100-110**

**MODIFICA CONDOTTA LAVAGGIO ESTERNA  
EXTERNAL WASH ARMS CONNECTION HOSE MODIFICATION  
MODIFICATION DU TUYAU EXTERNE BRAS DE LAVAGE  
ÄNDERUNG DES AUSSER WASCHROHR**

**207**

**12.96**





CURRENT  
3/97

DA MATR. 90 70 18  
FROM SERIAL N°

8

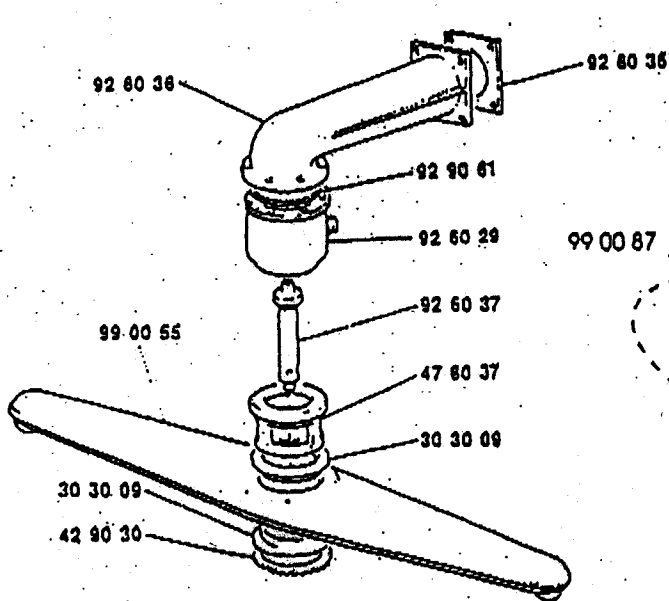
D100

**E3 elettrobar**

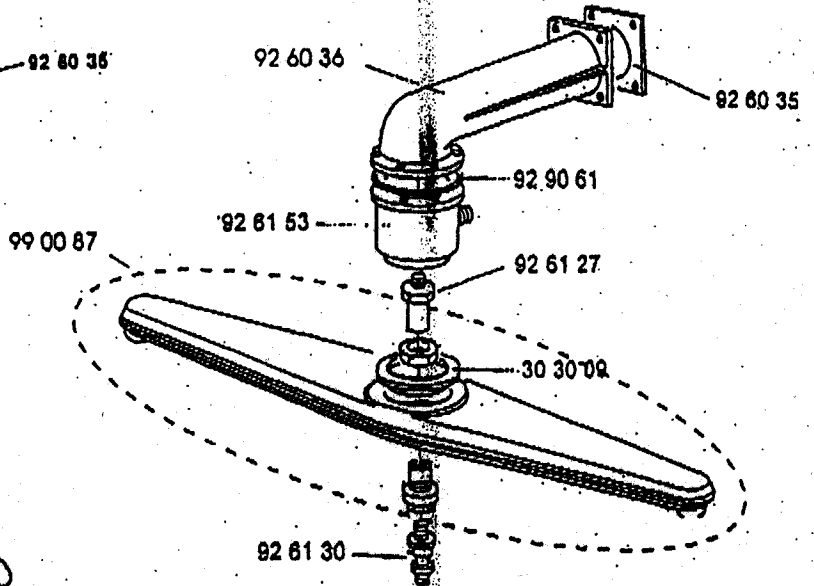
**MOD. CLEAN 100 -110**  
MODIFICA BRACCIO DI LAVAGGIO  
WASH ARM MODIFICATION  
MODIFICATION BRAS DE LAVAGE  
SPUELARMAENDERUNG

**205**

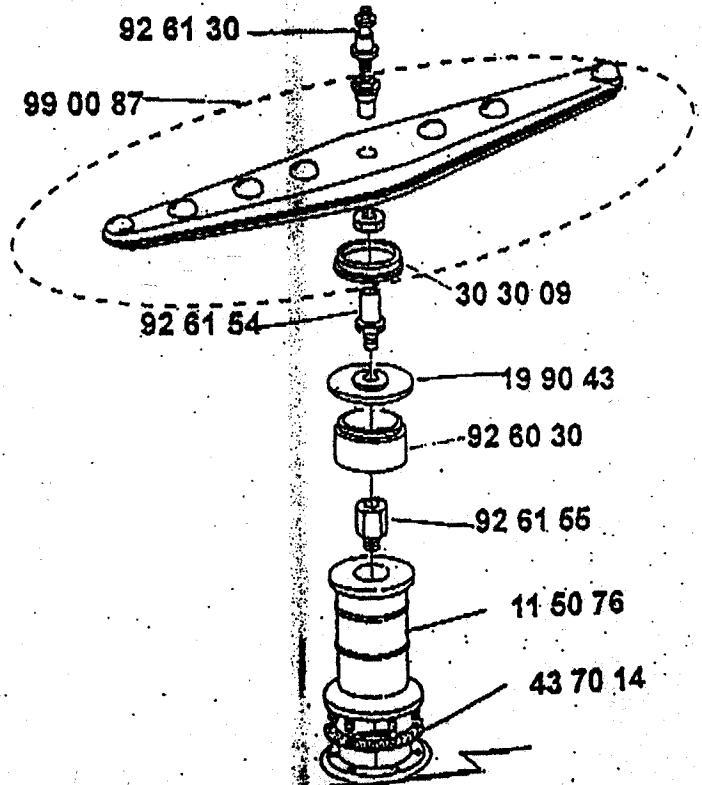
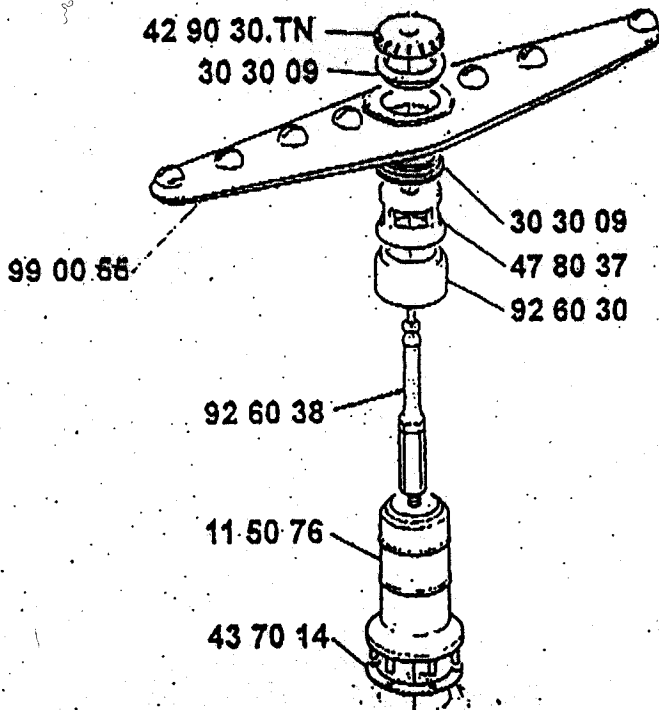
**12.96**

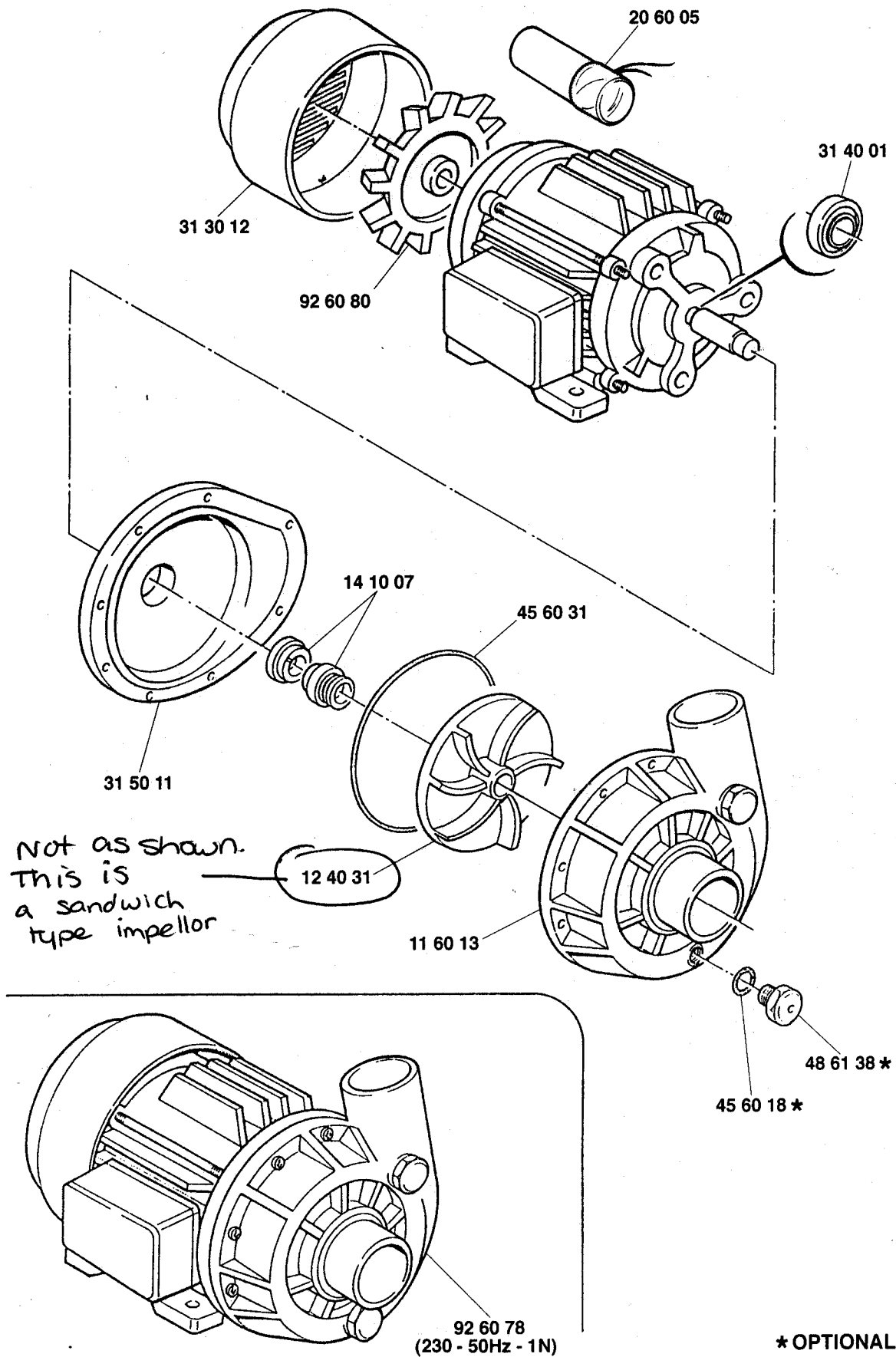


BERRE S/No. 907018

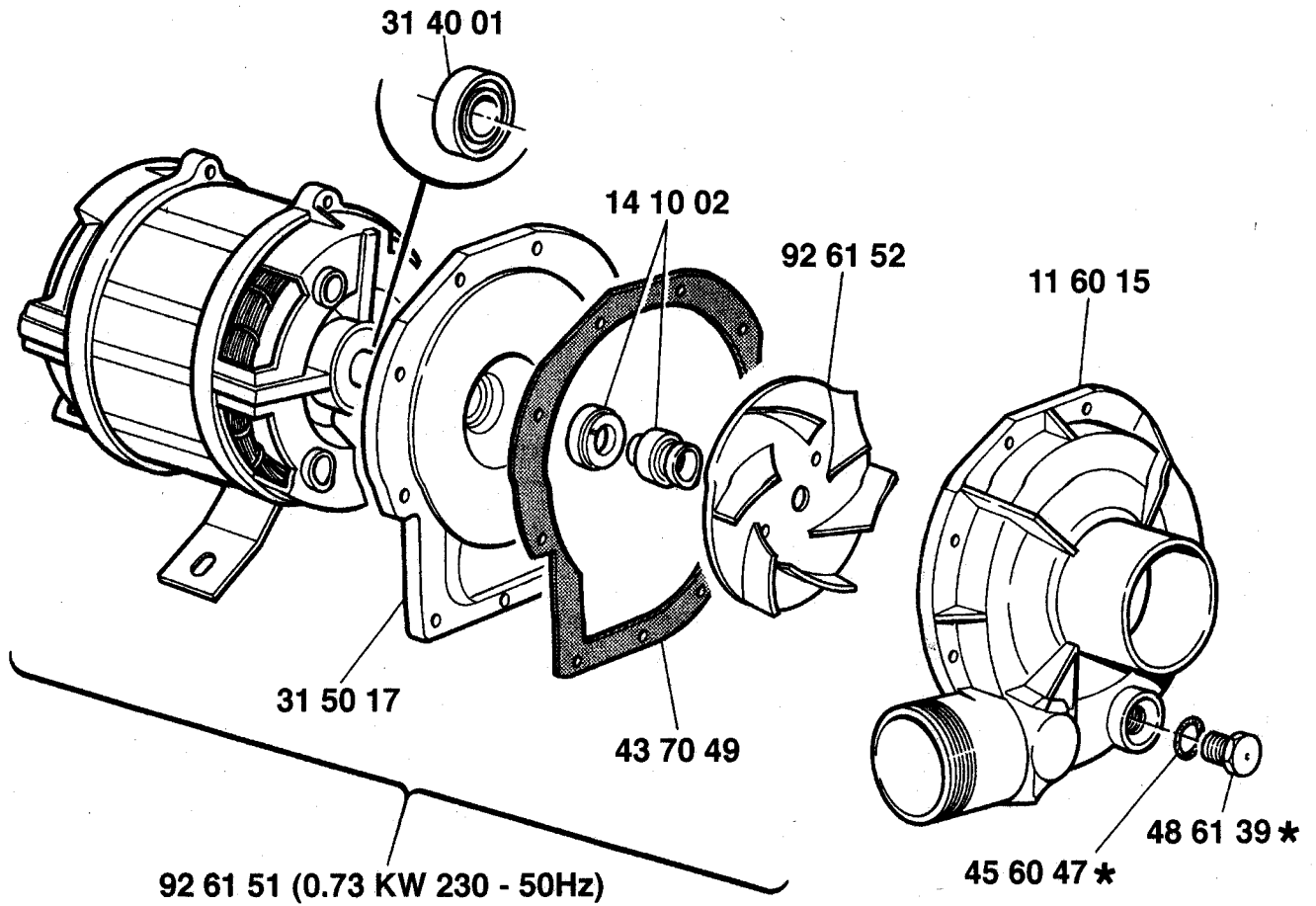


**NUOVO DA MATR. 907018 (CLEAN 100)**  
**NEW FROM S/N 907018 (CLEAN 100)**  
**NEU AB NR. 907018 (CLEAN 100)**  
**NOUVEAU DU MATR. 907018 (CLEAN 100)**  
**EARLY 1997**









# 4223

DA MATR. 90 68 64  
FROM SERIAL N=

\* OPTIONAL

CURRENT  
3/97