

**easicook.co.uk**

**Spare Parts Manual**

**Leading UK Distributors  
of Catering Equipment Since 1977**

**Sales - Repairs - Spares**

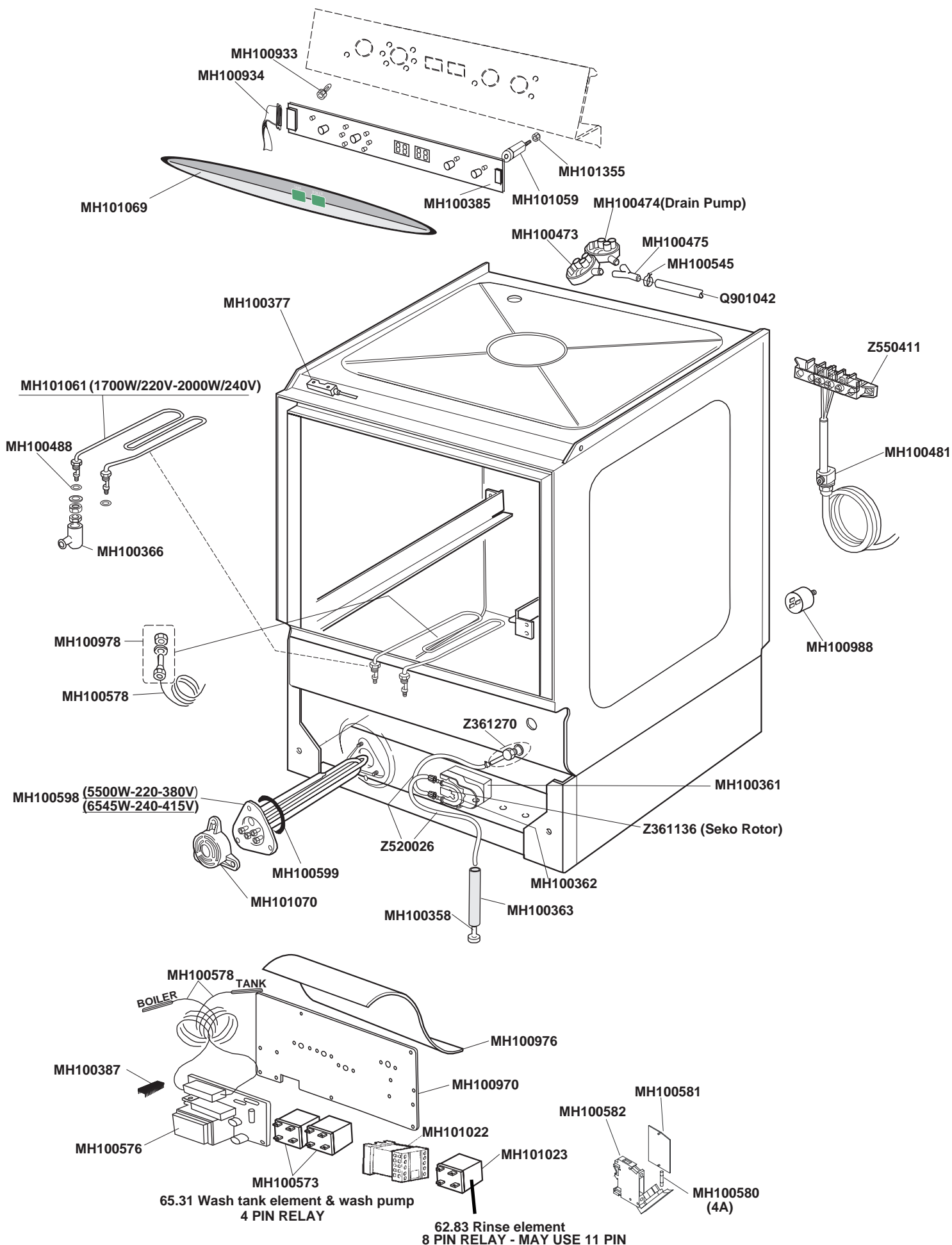
**Tel: 029 20747567**

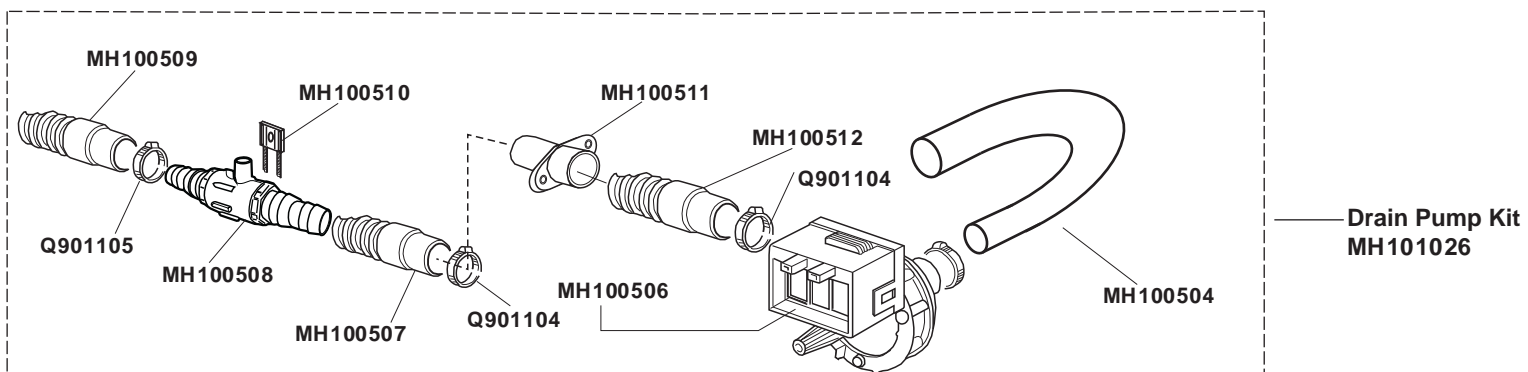
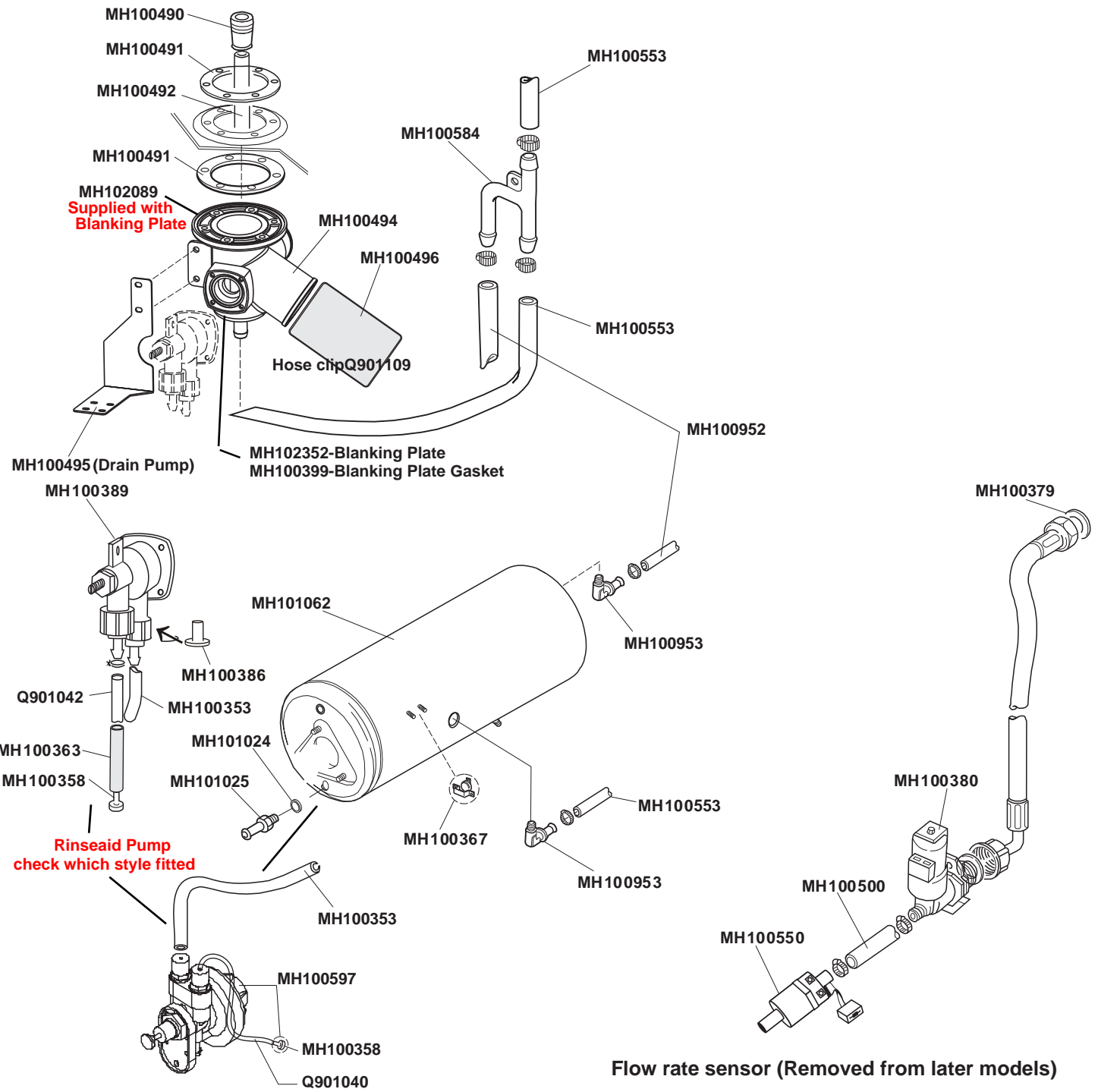
**Fax: 029 20214100**

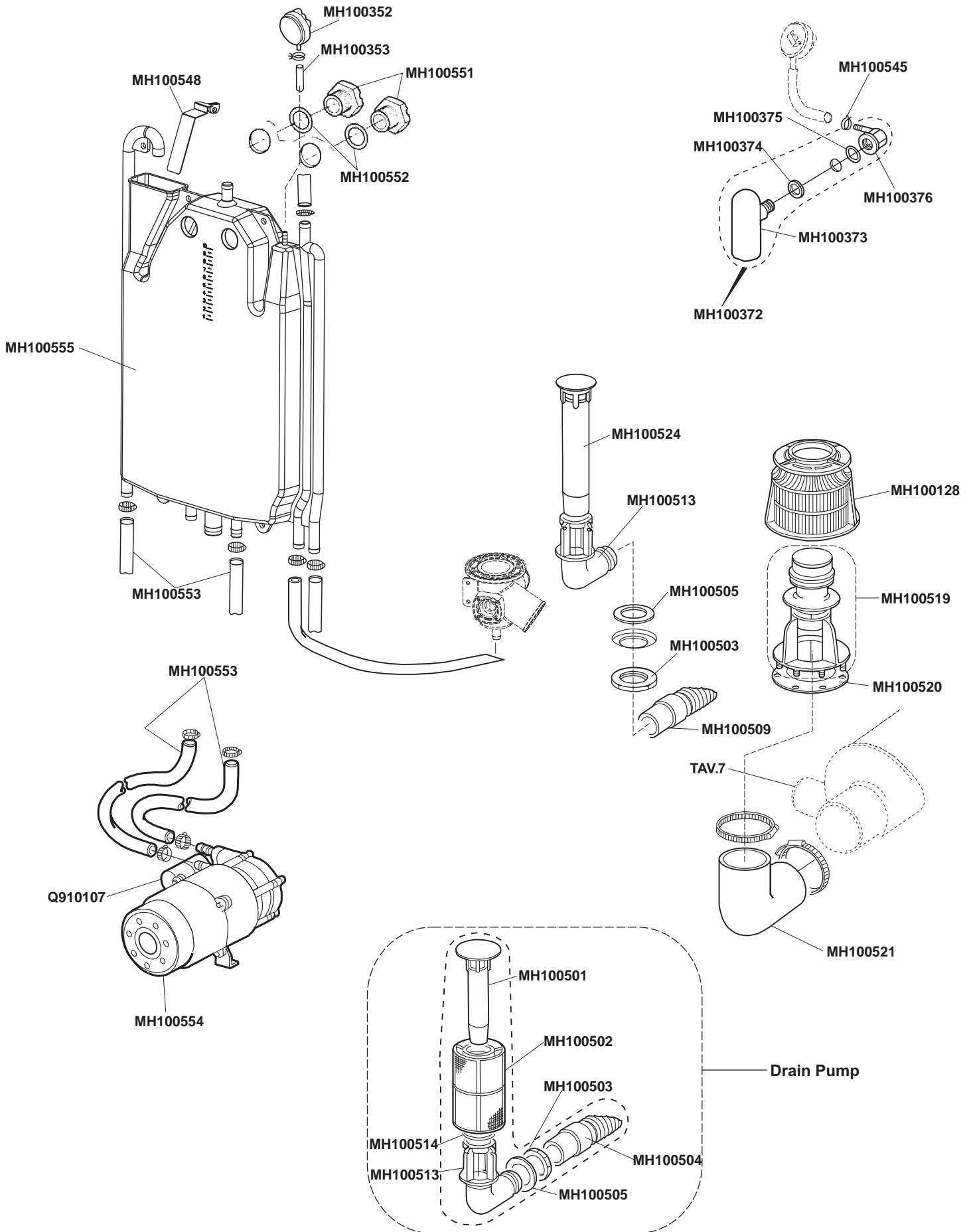
**Email: [info@easicook.co.uk](mailto:info@easicook.co.uk)**

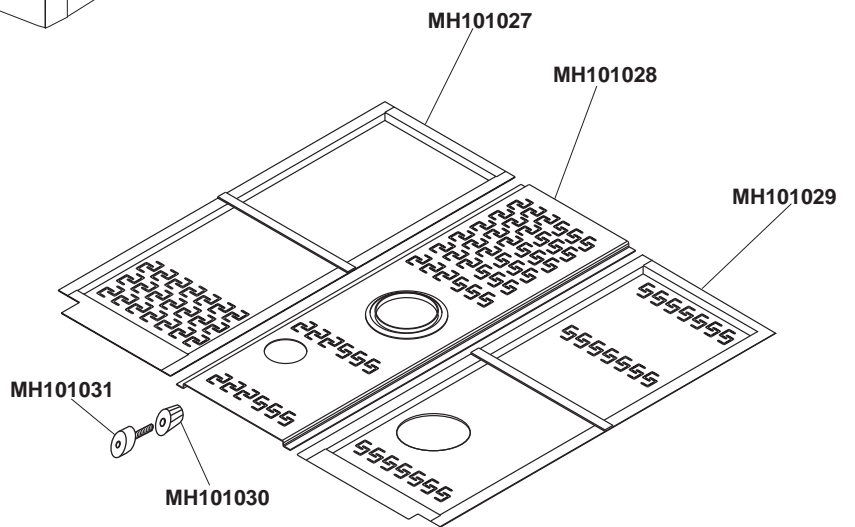
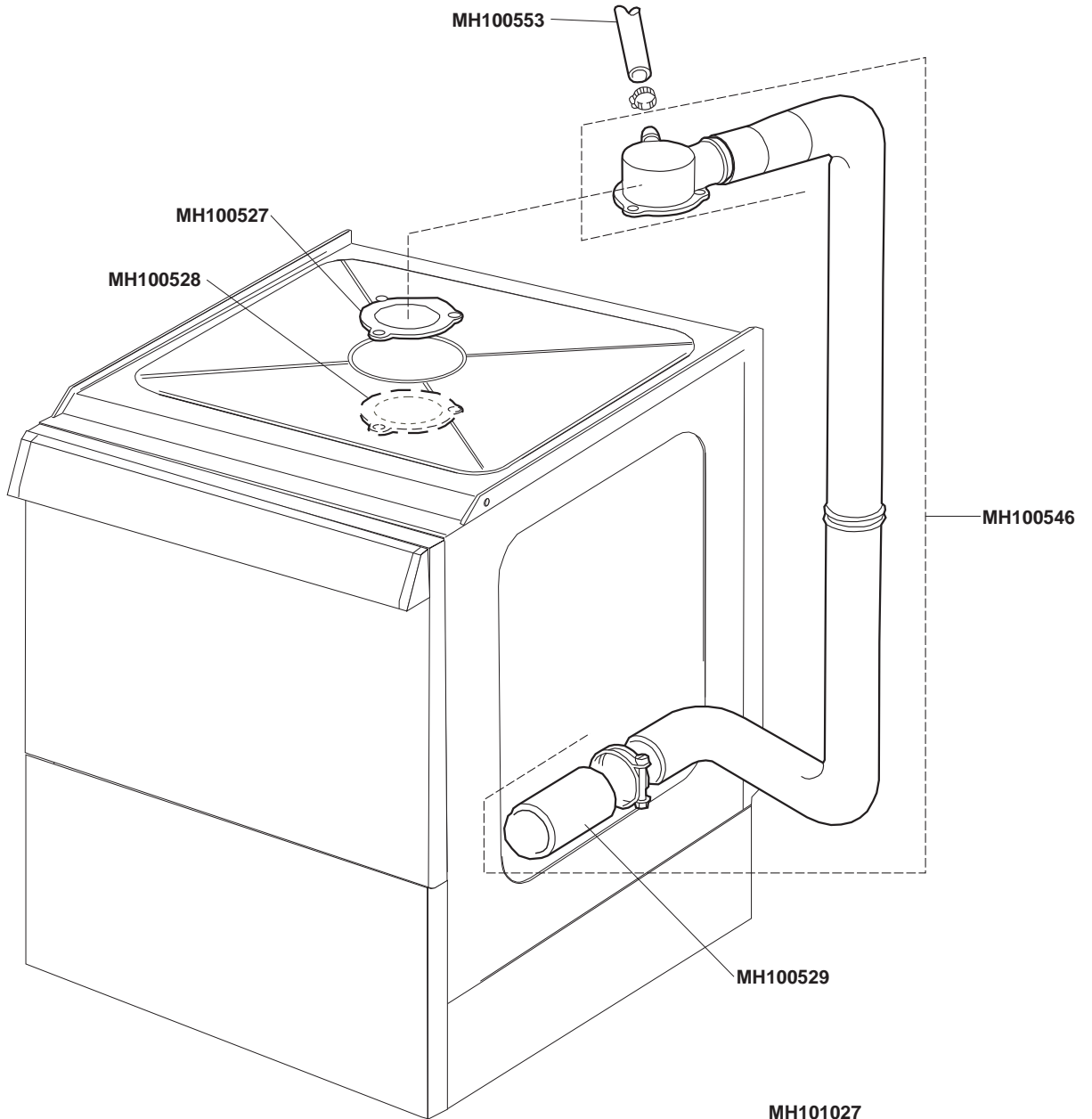
**[Click Here for Live Online Chat](#)**



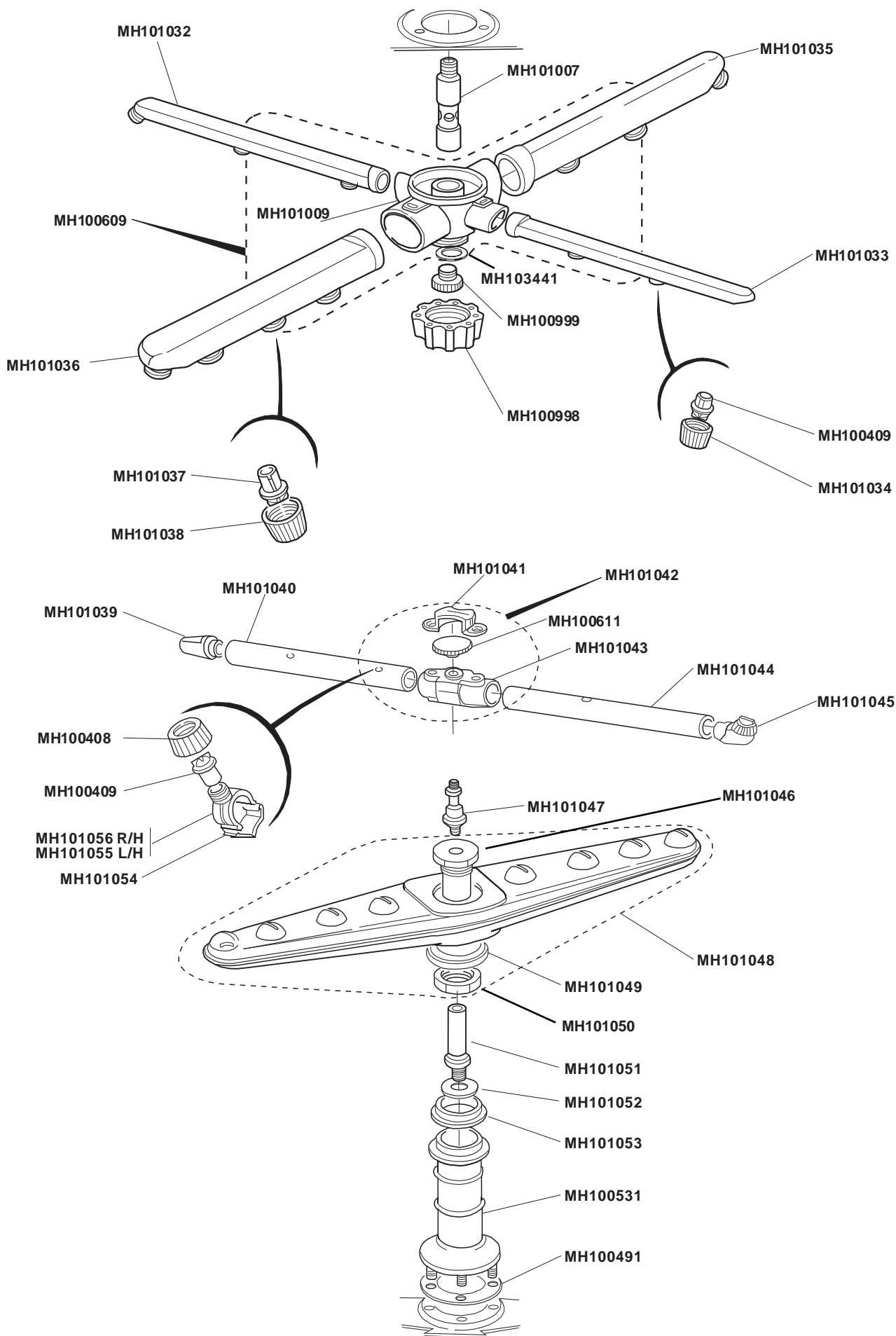




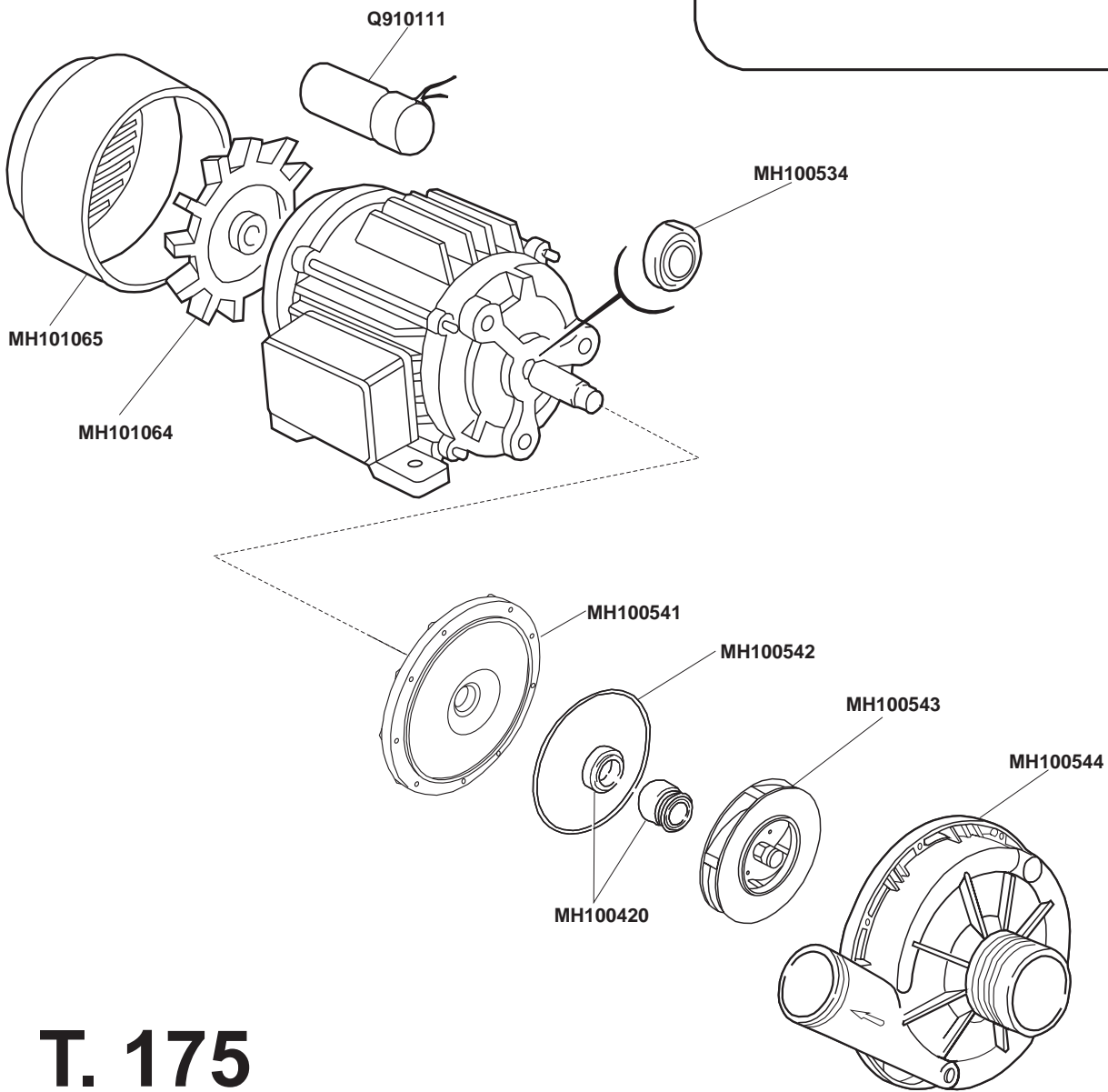
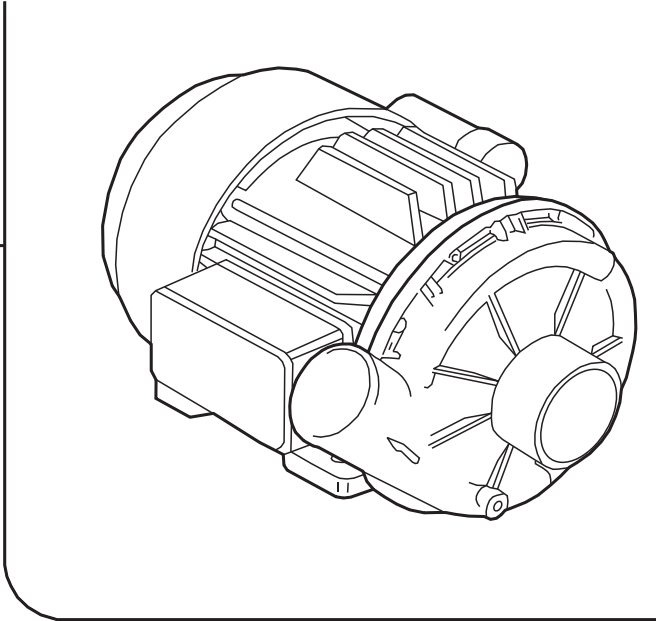








MH101063 (230V- 50Hz)



**T. 175**