

# easicook.co.uk

## Spare Parts Manual

Leading UK Distributors  
of Catering Equipment Since 1977

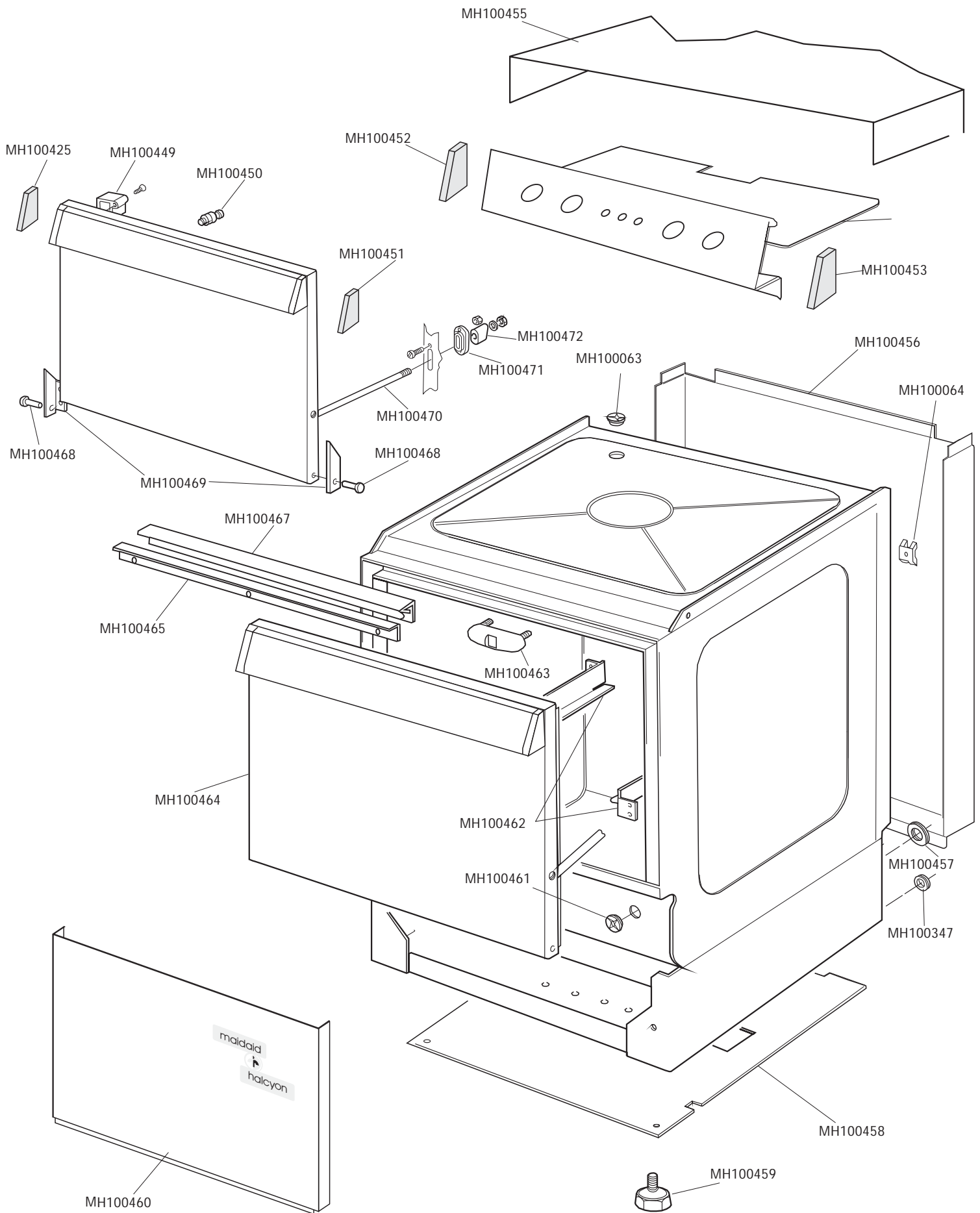
Sales - Repairs - Spares

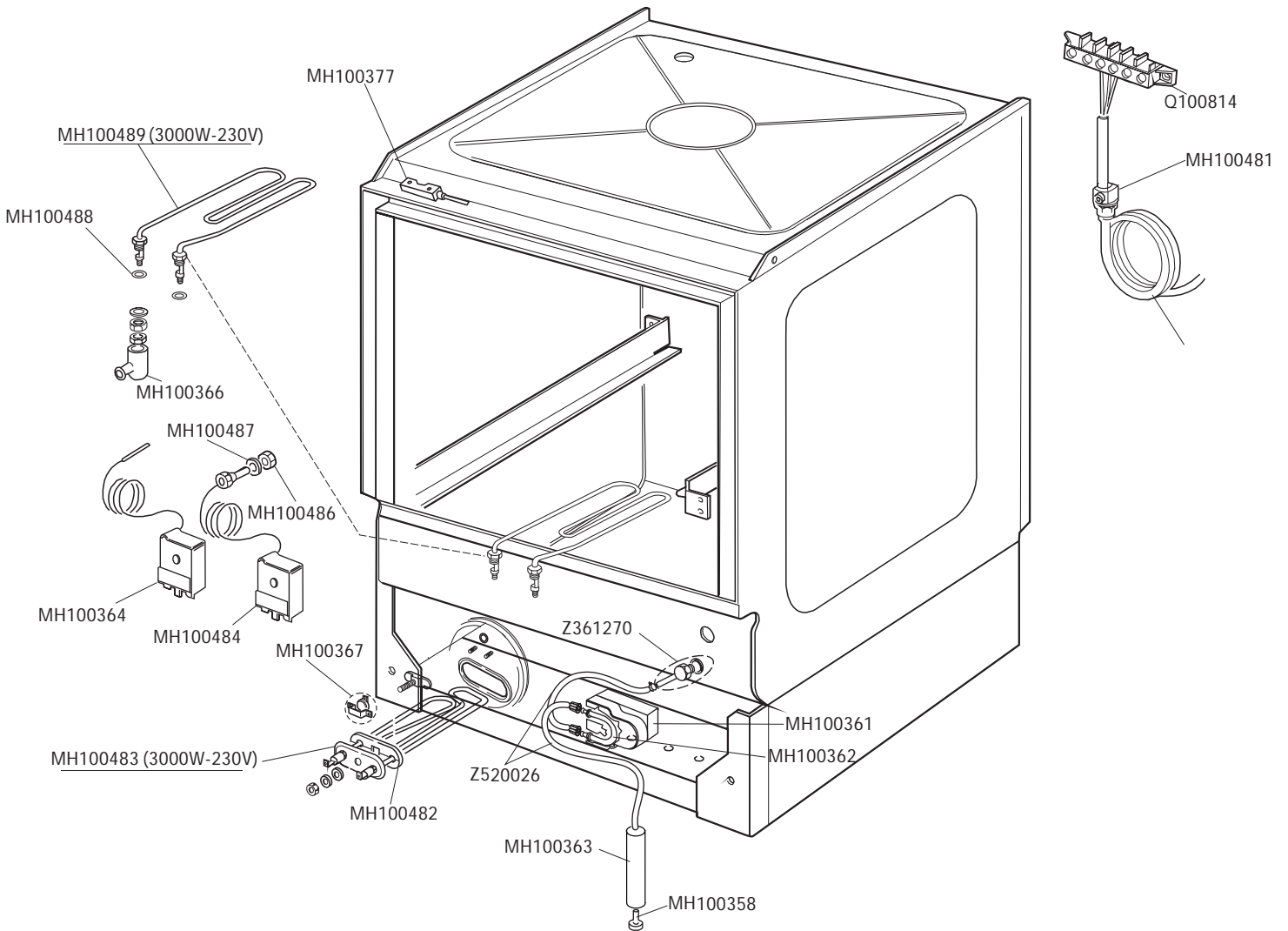
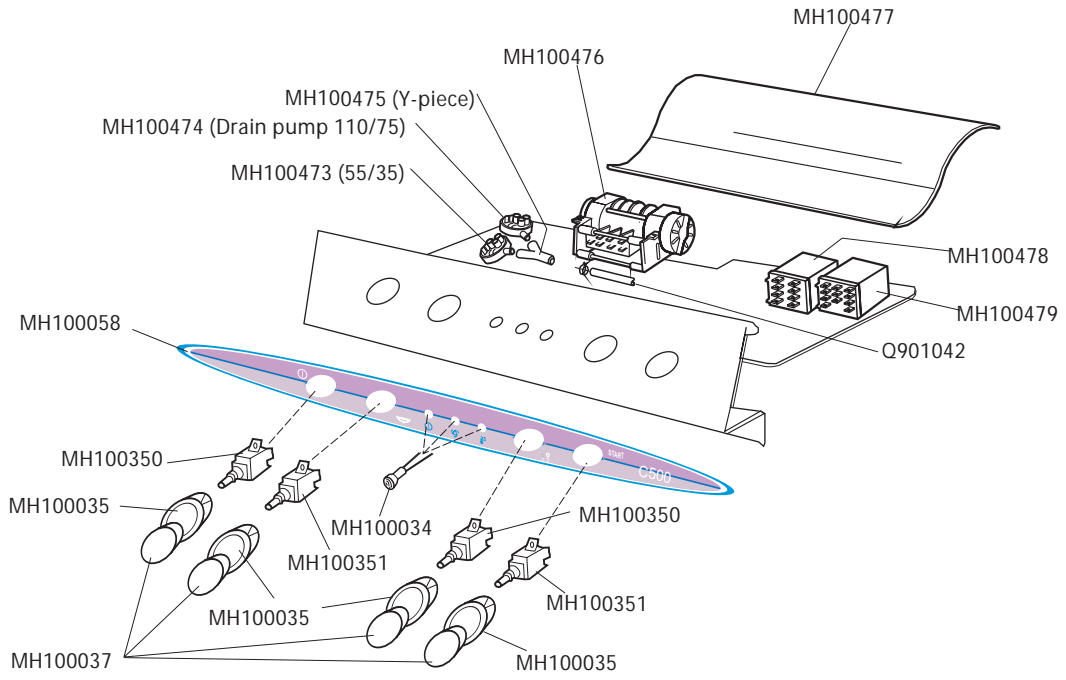
Tel: 029 20747567

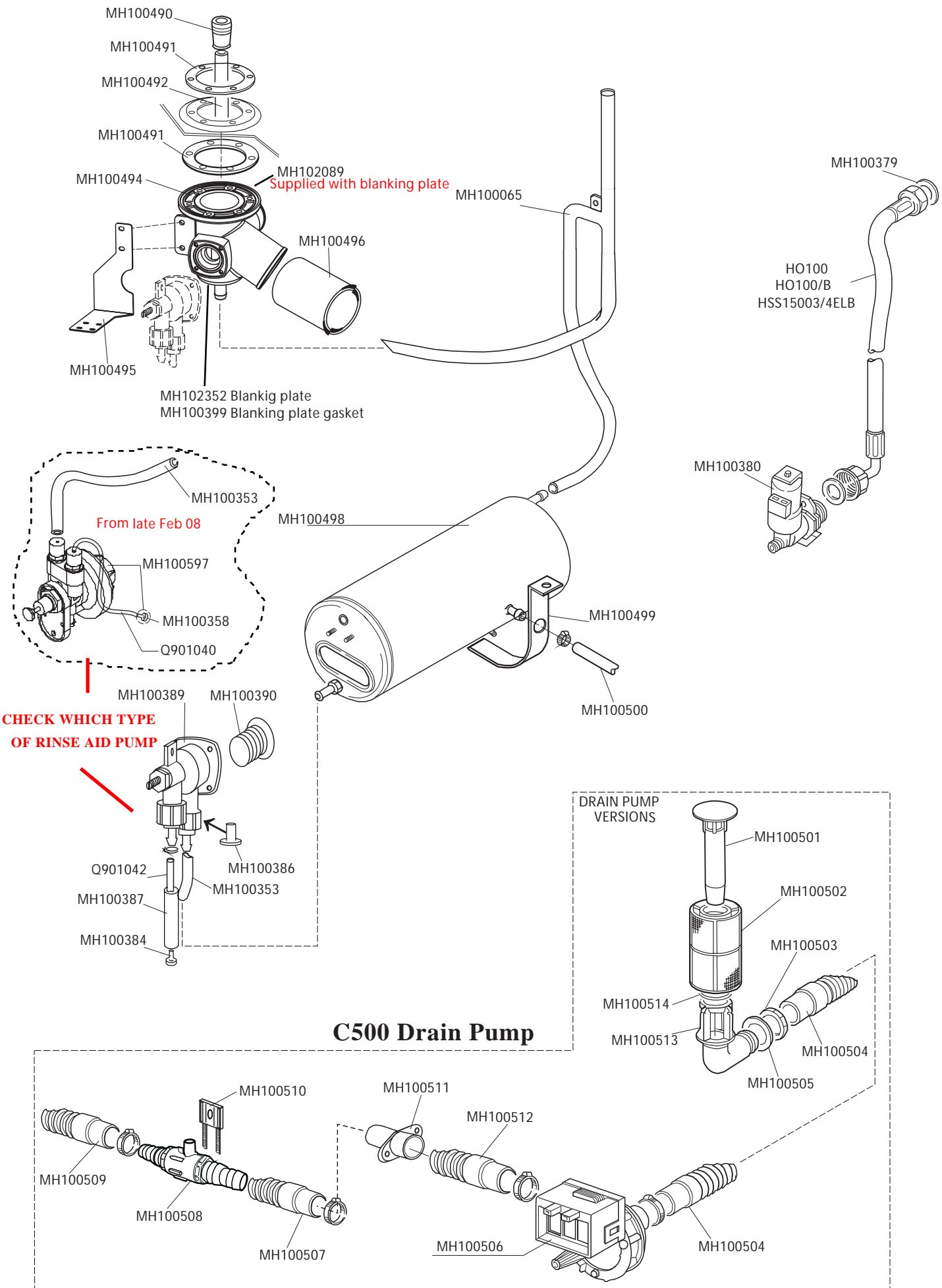
Fax: 029 20214100

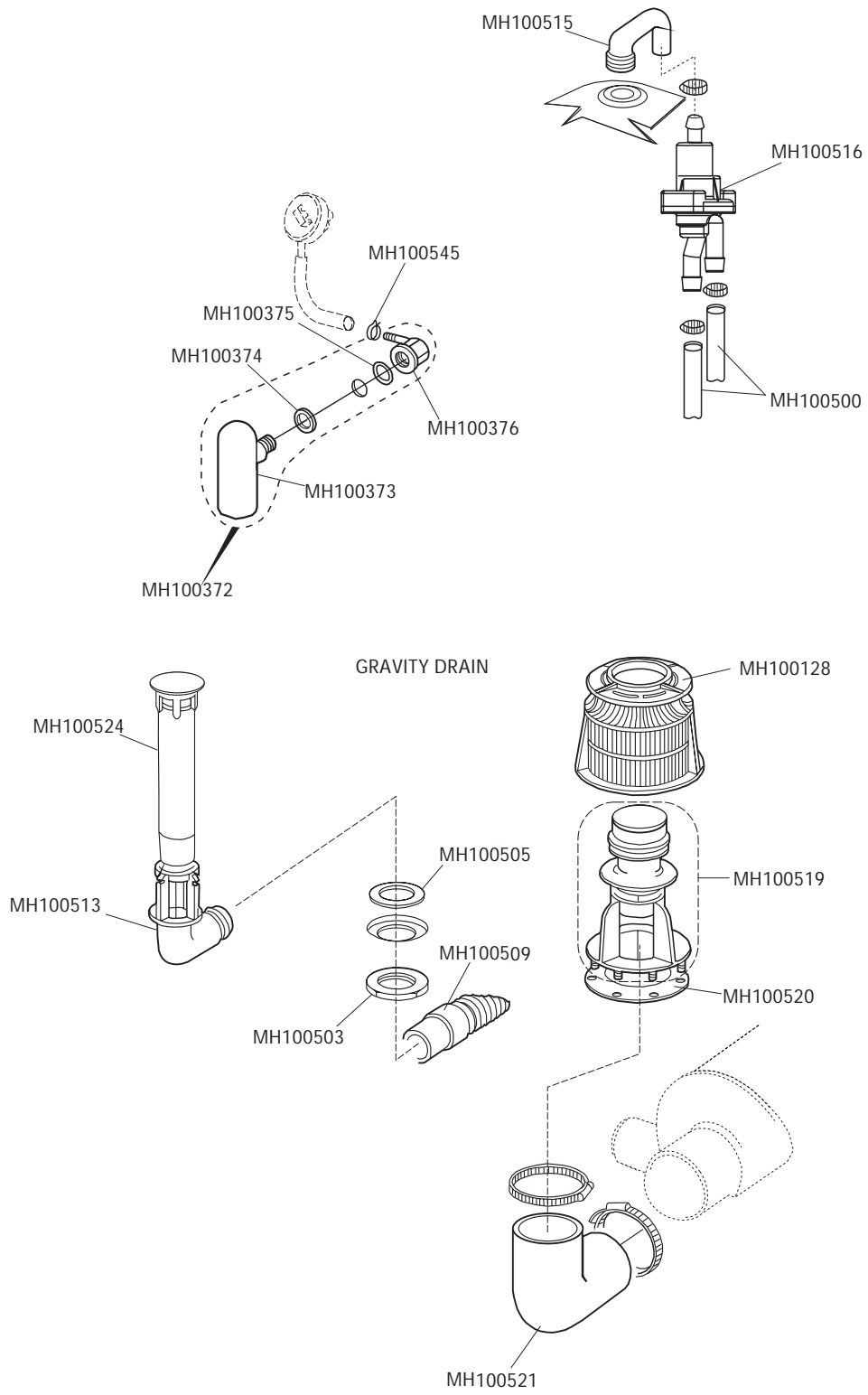
Email: [info@easicook.co.uk](mailto:info@easicook.co.uk)

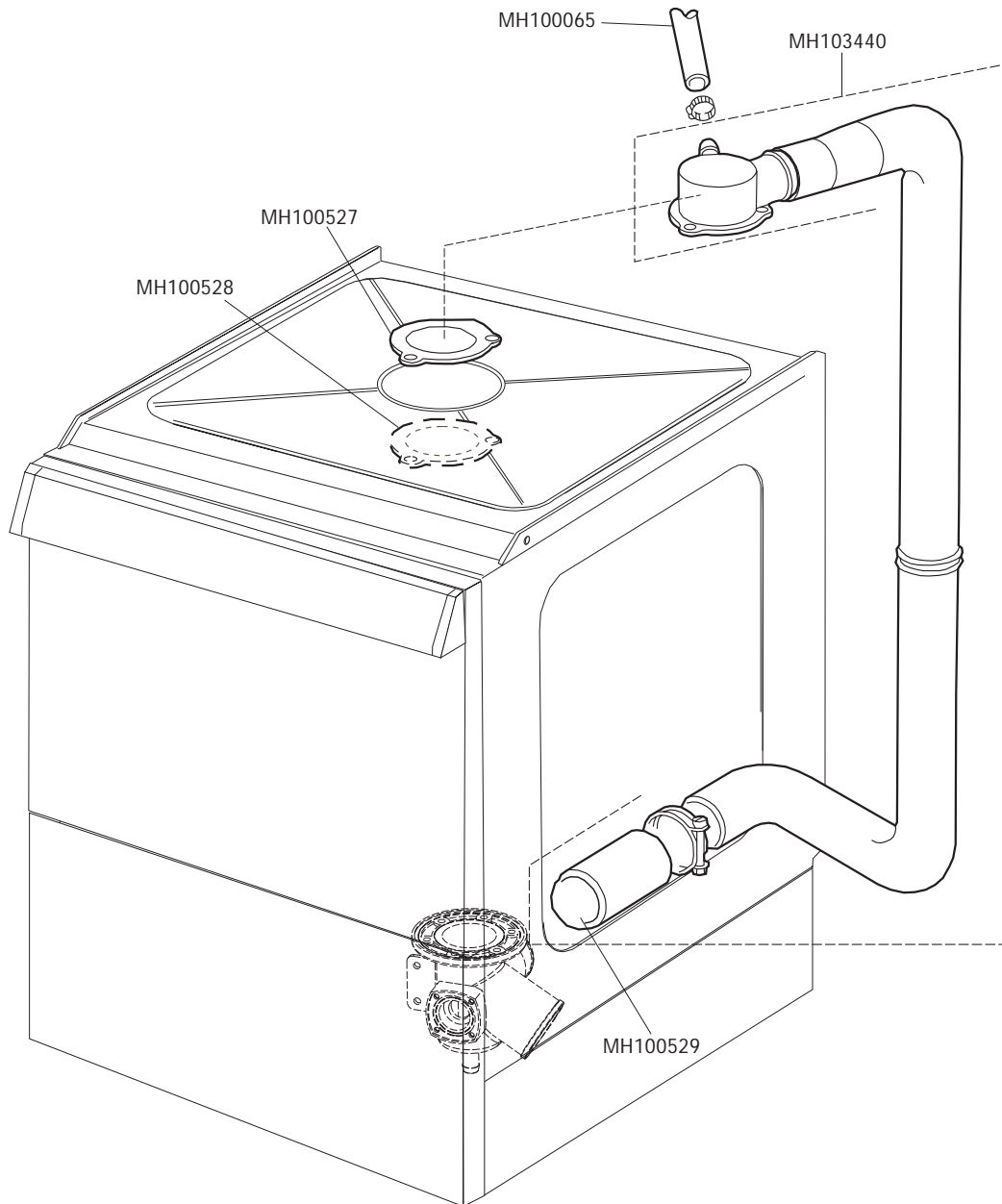
[Click Here for Live Online Chat](#)

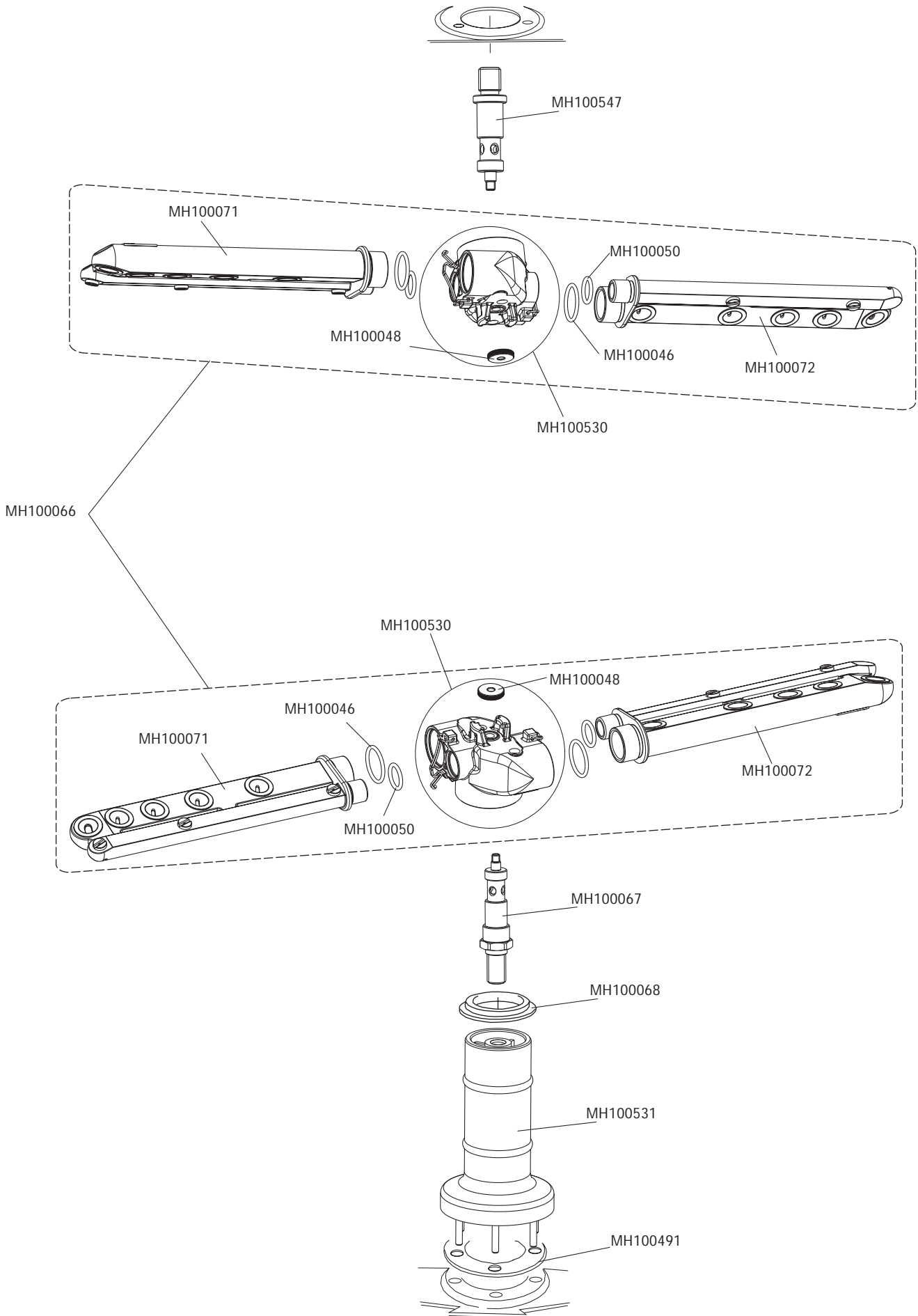






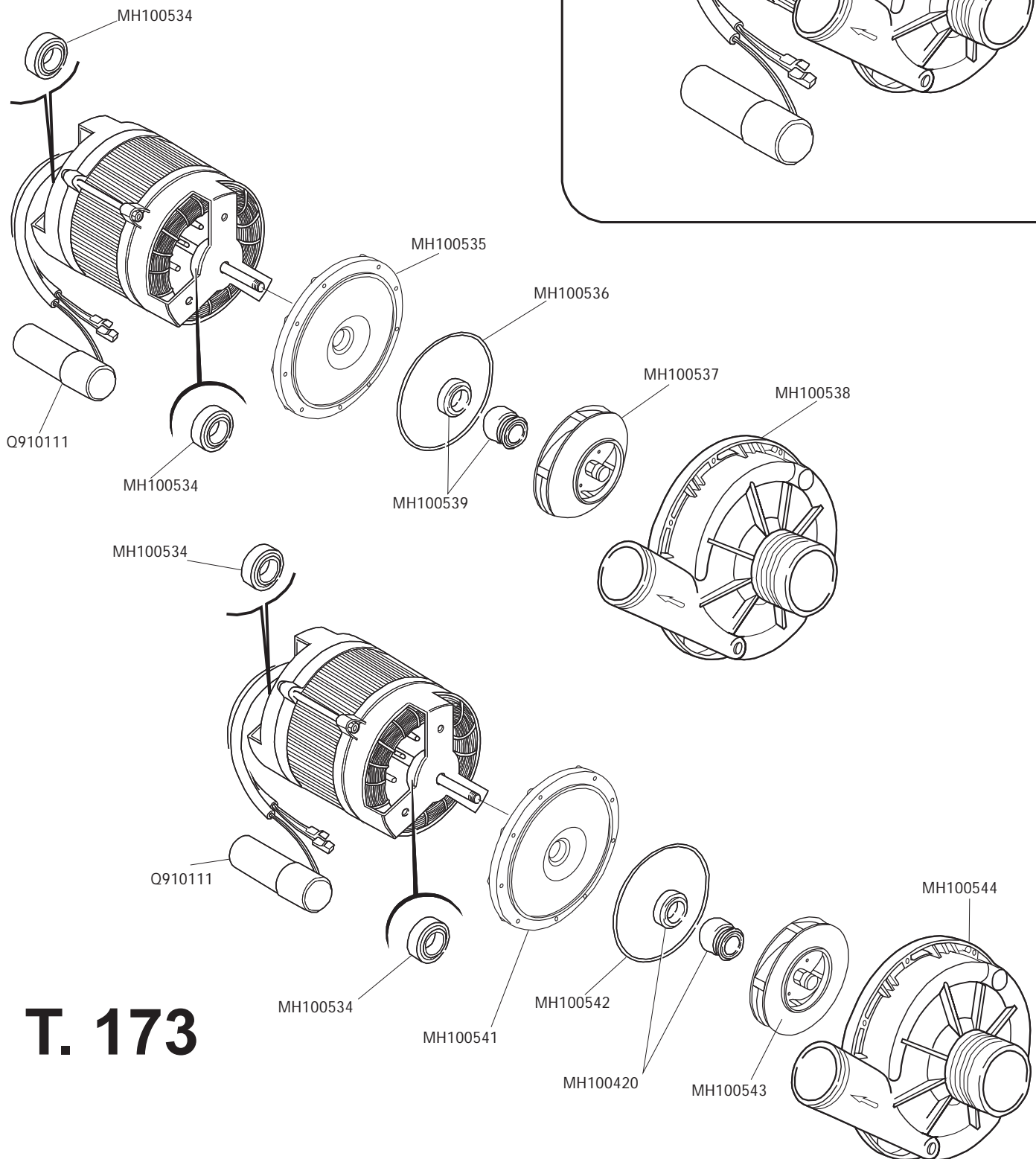






# B. 237

MH100533(230V-50Hz)



# T. 173