

easicook.co.uk

Spare Parts Manual

Leading UK Distributors
of Catering Equipment Since 1977

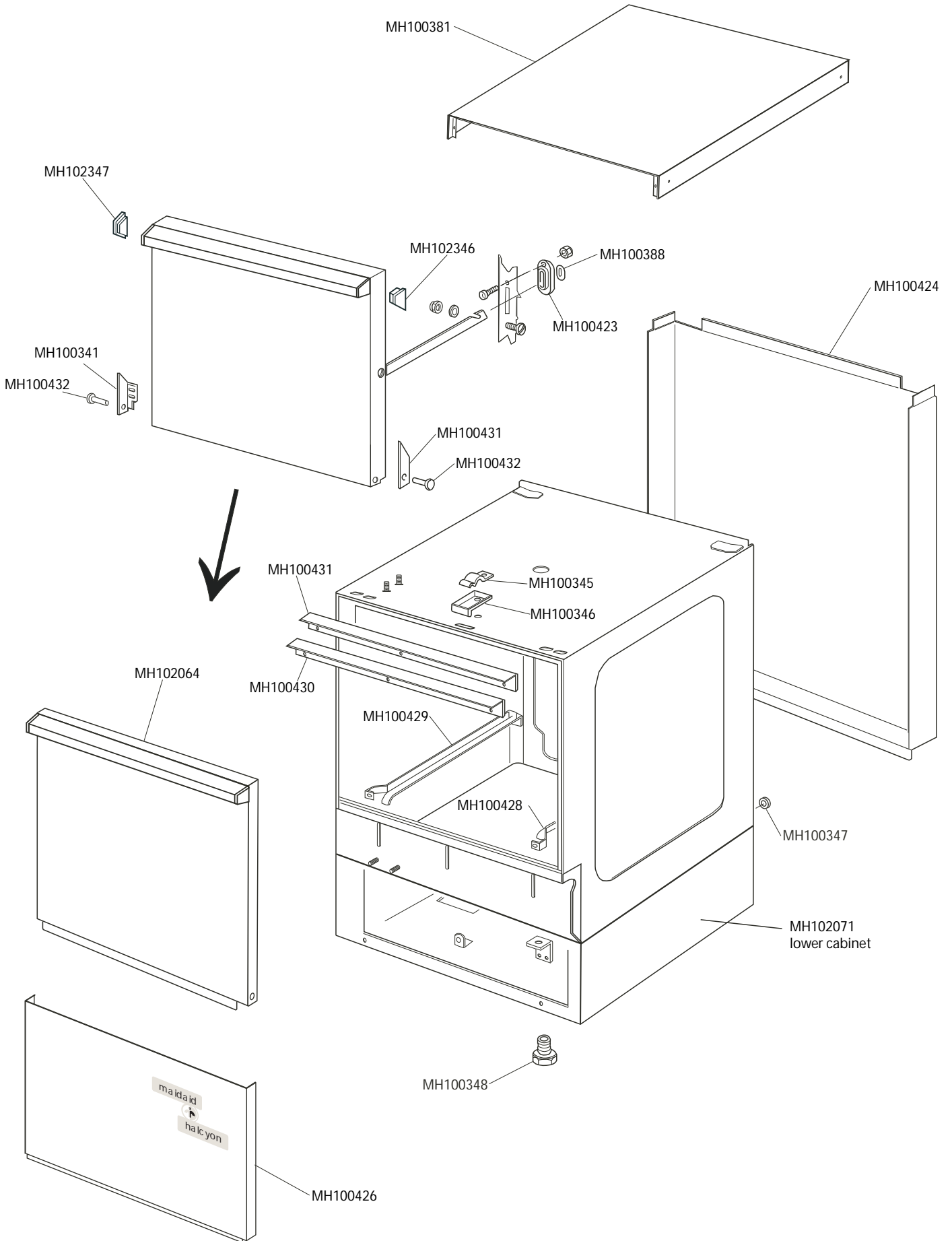
Sales - Repairs - Spares

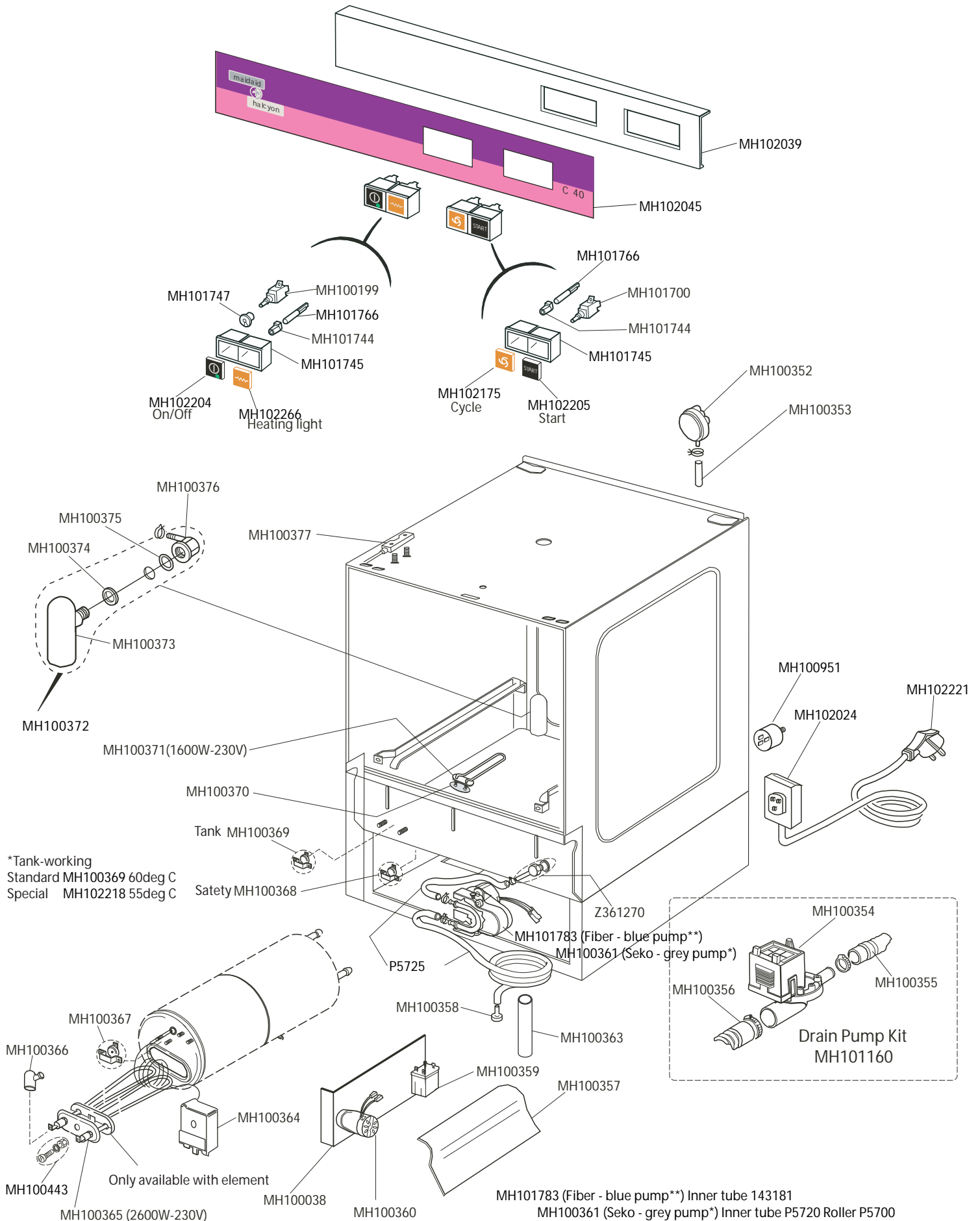
Tel: 029 20747567

Fax: 029 20214100

Email: info@easicook.co.uk

[Click Here for Live Online Chat](#)





*Tank-working
Standard MH100369 60deg C
Special MH102218 55deg C

