

easicook.co.uk

Spare Parts Manual

**Leading UK Distributors
of Catering Equipment Since 1977**

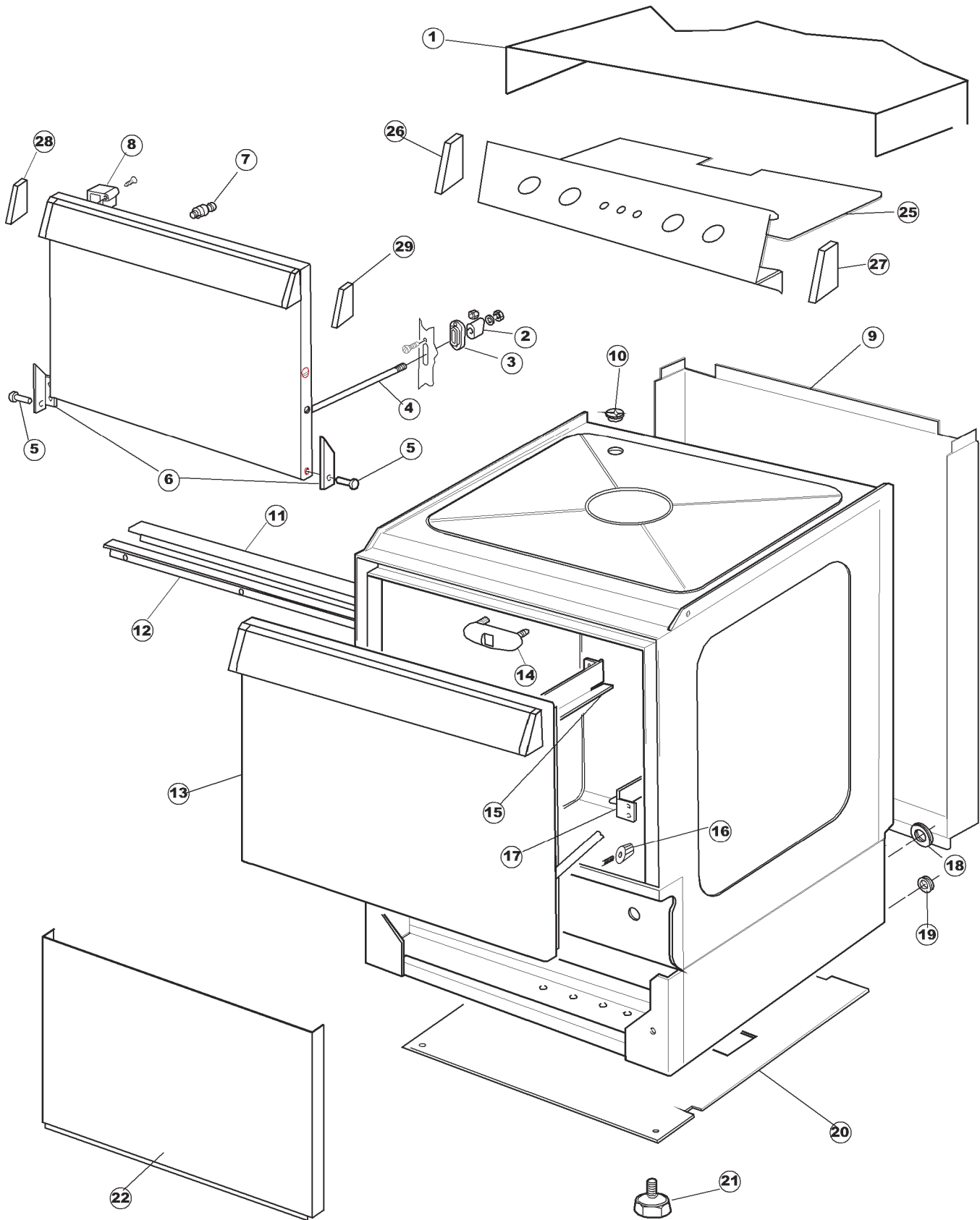
Sales - Repairs - Spares

Tel: 029 20747567

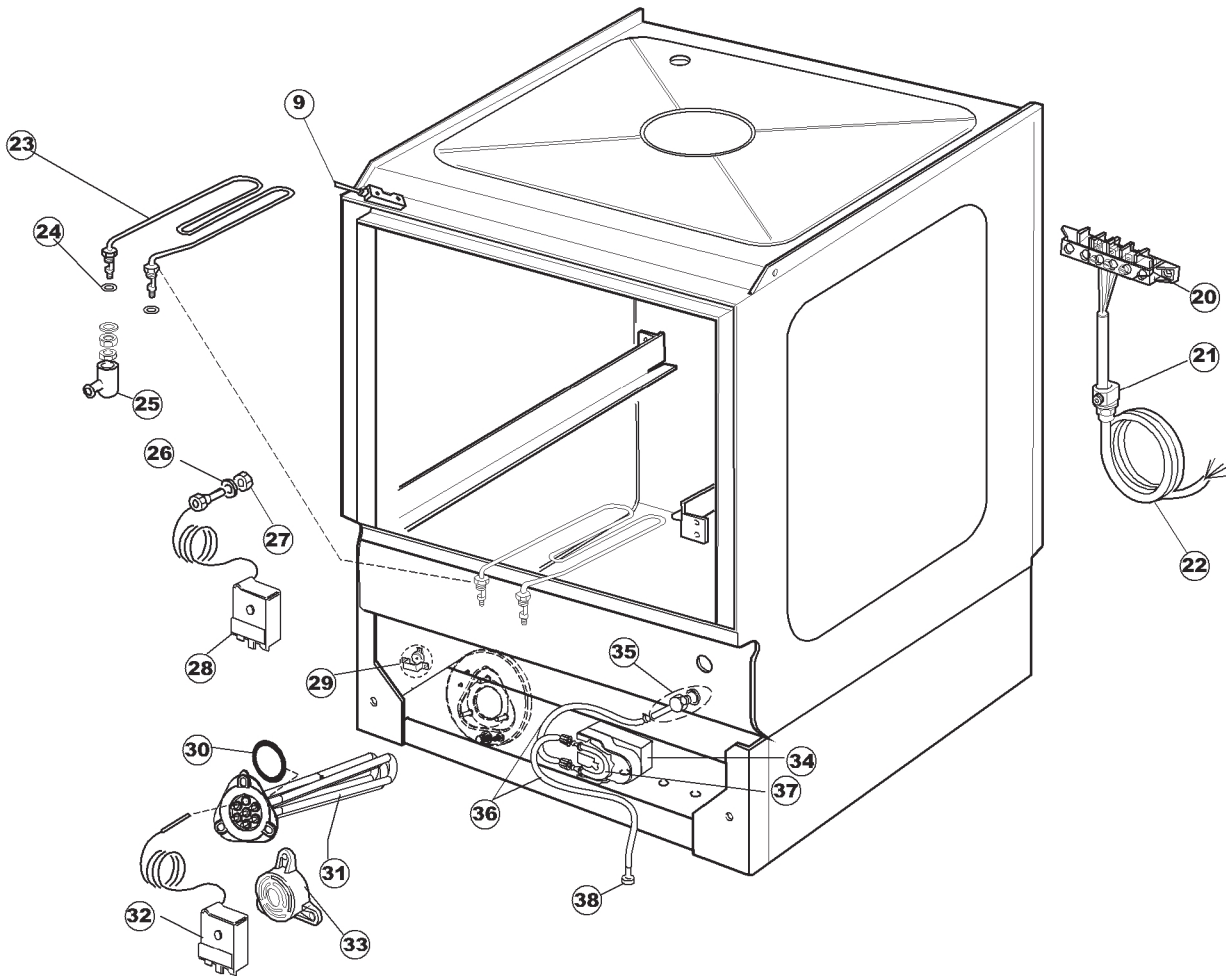
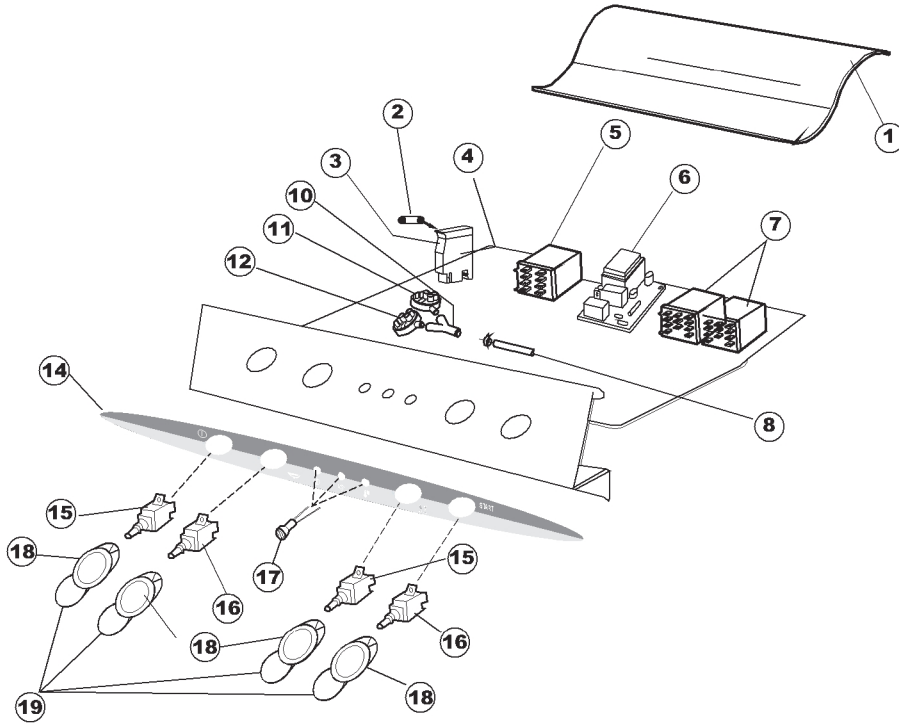
Fax: 029 20214100

Email: info@easicook.co.uk

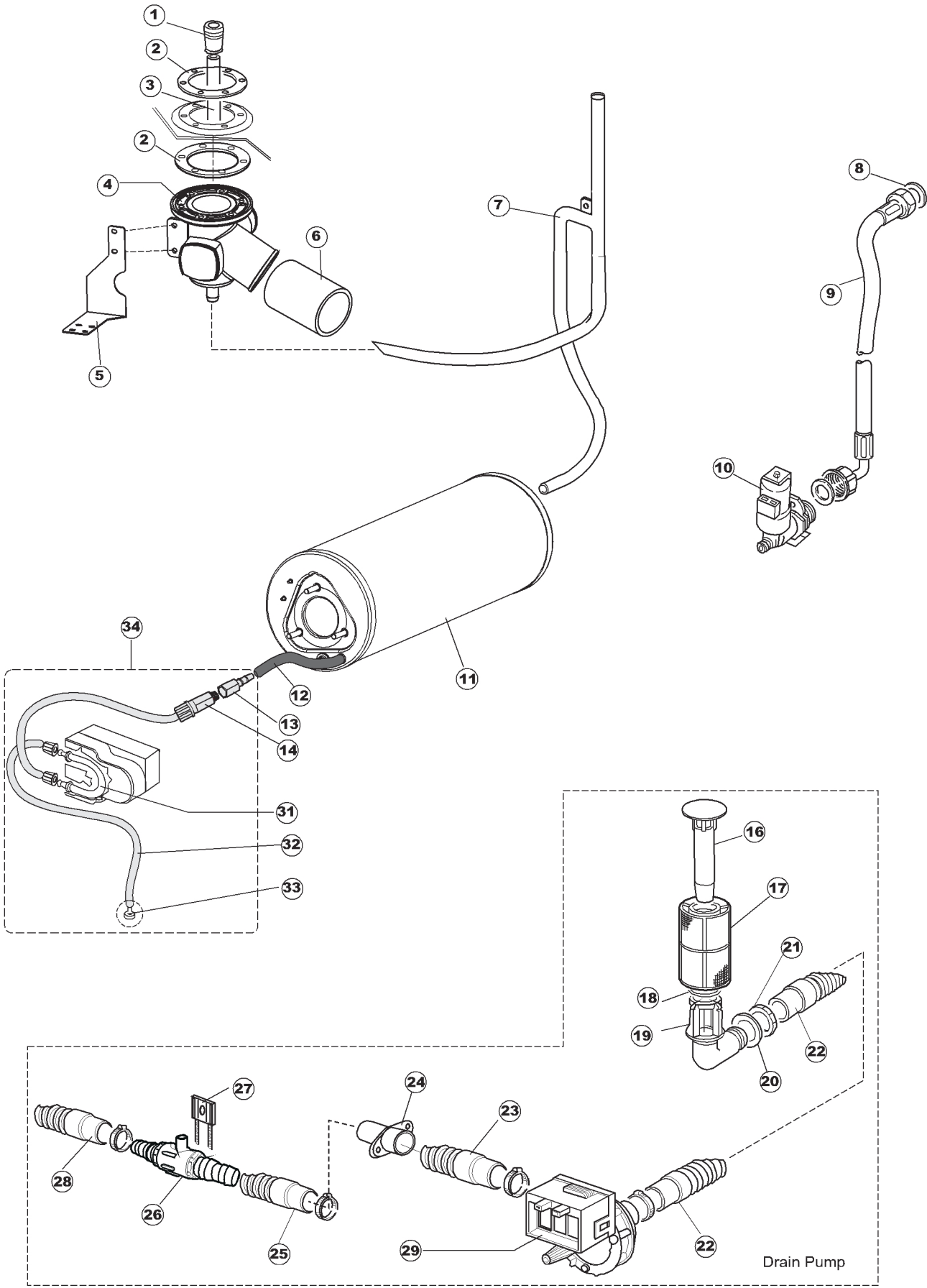
[Click Here for Live Online Chat](#)



Page	Ref	Part code	Description
1	1	MH100455	TOP PANEL
1	2	MH100474	STOP FOR DOOR GUIDE
1	3	MH100471	DOOR STAY GUIDE
1	4	MH100470	DOOR STAY
1	5	MH100468	HINGE PIN
1	6	MH100469	DOOR HINGE
1	7	MH100450	DOOR CATCH
1	8	MH100449	DOOR MAGNET
1	9	MH100456	BACK PANEL
1	10	MH100063	RUBBER CAP
1	11	MH100467	DOOR GASKET
1	12	MH100465	BRACKET FOR DOOR GASKET
1	13	MH103653	DOOR
1	14	MH100463	DOOR CATCH – INNER
1	15	MH103635	RACK SLIDE – LEFT HAND
1	16	MH101030	SCRAP TRAY SUPPORT NUT
1	17	MH103636	RACK SLIDE – RIGHT HAND
1	18	MH100457	CABLE GROMMET
1	19	MH100347	CABLE GLAND
1	20	MH100458	FLOOR PANEL
1	21	MH100459	MACHINE FOOT
1	22	MH103637	FRONT PANEL
1	25	MH104044	PANEL
1	26	MH103655	END CAP – LEFT – BLUE
1	27	MH103656	END CAP – RIGHT – BLUE
1	28	MH103657	HANDLE END CAP – LEFT – BLUE
1	29	MH103658	HANDLE END CAP – RIGHT - BLUE

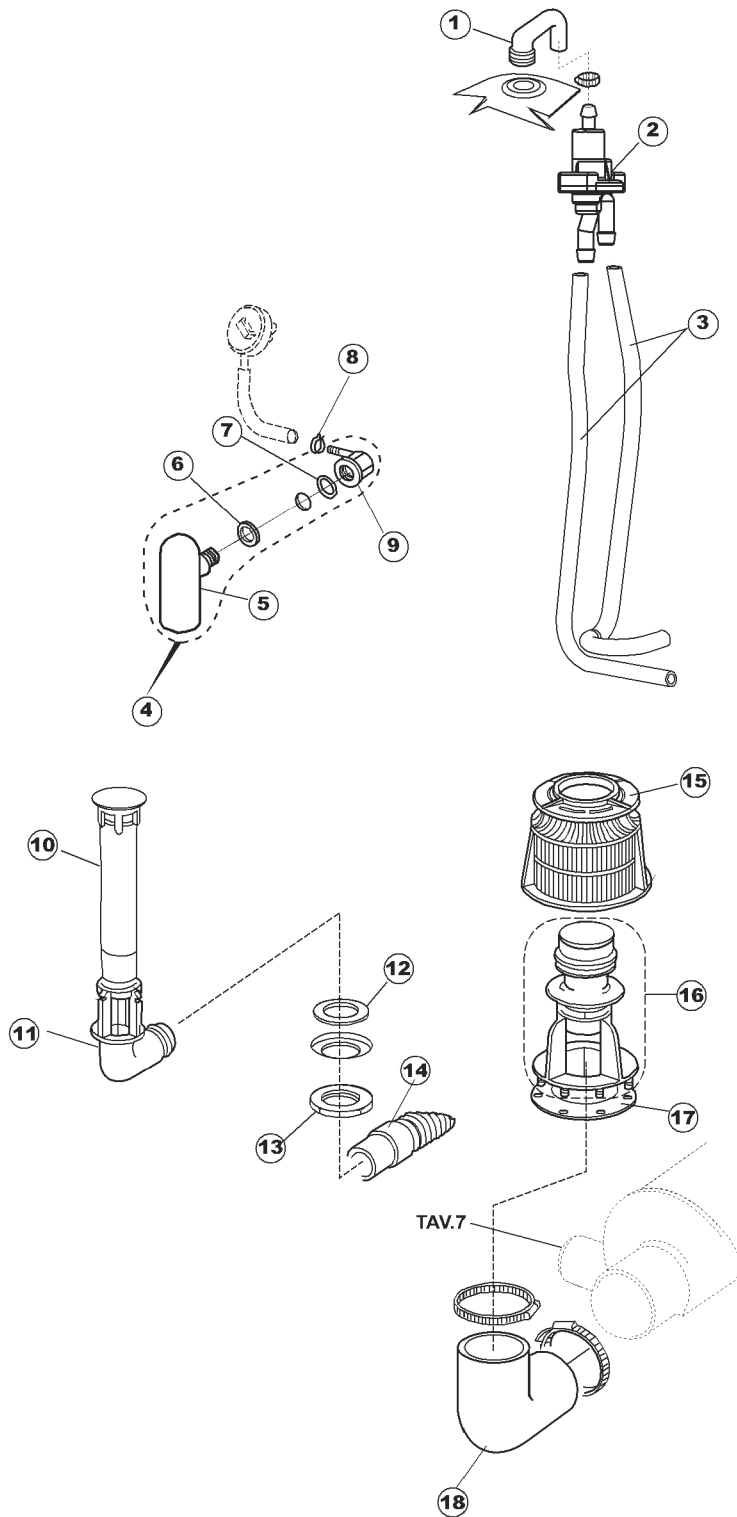


Page	Ref	Part Code	Description
2	1	MH100477	CONTROLS COVER
2	2	MH103970	FUSE 4amp (5x20)
2	3	MH103967	FUSE HOLDER
2	4	MH103968	FIXING PLATE
2	5	MH101432	RELAY (62.83)
2	6	MH104022	PCB MAIN BOARD
2	7	MH101023	RELAY (62.83)
2	8	Q901042	PIPE PVC GREEN 4x7
2	9	MH100377	DOOR SWITCH – MAGNETIC CONTACT
2	10	MH100475	Y – PIECE FOR PRESSURE SWITCH
2	11	MH100474	PRESSURE SWITCH 110/75
2	12	MH100473	WATER LEVEL SWITCH 55/35
2	14	MH103654	FASCIA
2	15	MH100350	SWITCH
2	16	MH100351	SWITCH
2	17	MH100034	PILOT LIGHT
2	18	MH100035	BUTTON BODY – OVAL
2	19	MH103627	OVAL BUTTON
2	20	Q912010	TREMINAL BLOCK 6 POLE
2	21	MH100481	CABLE STOP – BLACK
2	22	X	
2	23	MH101061	WASH TANK ELEMENT
2	24	MH100488	O-RING
2	25	MH100366	COVER – ELEMENT CONNECTIONS
2	26	MH100487	PROBE WASHER
2	27	MH100486	THERMOSTAT PROBE NUT
2	28	MH100484	WASH TANK THERMOSTAT FIXED 53deg C
2	29	MH100367	OVERHEAT THERMOSTAT – BOILER
2	30	MH100599	O-RING – RINSE BOILER ELEMENT
2	31	MH100598	ELEMENT 6kw
2	32	MH100364	BOILER THERMOSTAT
2	33	MH103639	BOILER ELEMENT PROTECTION
2	34	Q904261	PERISTALTIC DISPENSER – DETERGENT
2	35	Q904265	DETERGENT FEED ELBOW ST/ST
2	36	Q904299	PVC HOSE 4x6 10Mtr
2	37	Q904263	DETERGENT PUMP TUBE
2	38	Q904266	TUBE END FILTER - CHEMICALS



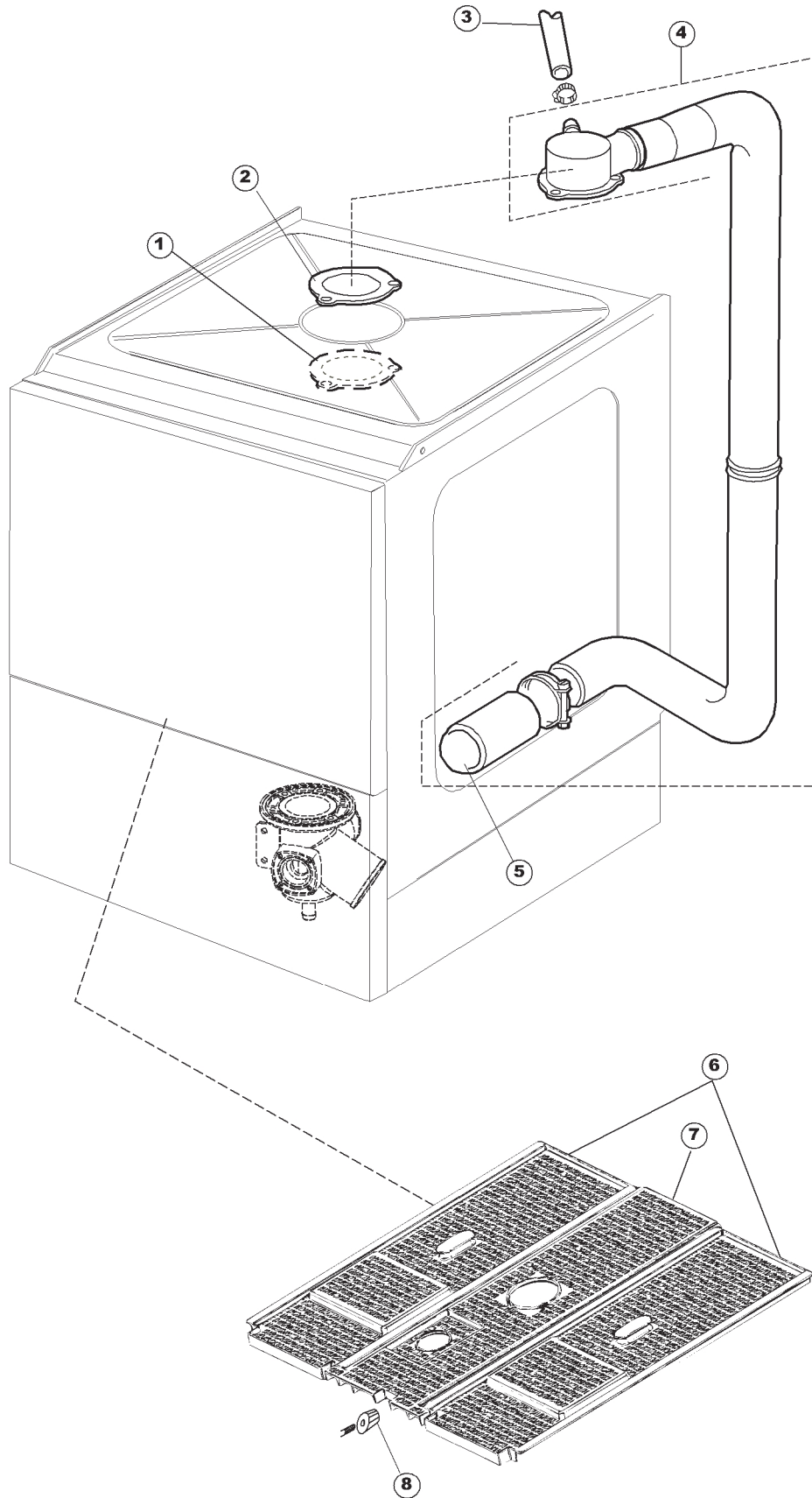
Drain Pump

Page	Ref	Part code	Description
3	1	MH100490	RINSE PIPE OLIVE dia 10mm
3	2	MH100491	GASKET – BOTTOM BOSS
3	3	MH100492	RINSE SUPPLY TUBE
3	4	MH102089	BOTTOM BOSS
3	5	MH100495	DRAIN PUMP BRACKET (NEW TYPE)
3	6	MH100496	PUMP OUTLET HOSE
3	7	MH100065	RINSE FEED TUBE
3	8	MH100379	WASHER S641 EXPO
3	9	MH101390	INLET PIPE
3	10	MH100380	SINGLE SOLENOID VALVE
3	11	MH103911	BOILER
3	12	MH100353	PRESSURE HOSE 5mtr
3	13	MH103929	CONNECTION
3	14	MH103928	ST/ST CONNECTION
3	16	MH100501	DRAIN PLUG
3	17	MH100502	FILTER – DRAIN PUMP PLASTIC
3	18	MH100514	FILTER RING
3	19	MH100513	DRAIN ELBOW – PLASTIC
3	20	MH100505	WASHER
3	21	MH100503	NUT – PLASTIC 1 – ¼
3	22	MH100504	DRAIN HOSE to PUMP
3	23	MH100512	DRAIN HOSE – PUMP to CONNECTOR
3	24	MH100511	CONNECTOR – DRAIN PUMP HOSE
3	25	MH100507	HOSE – DRAIN PUMP to AIR BREAK
3	26	MH100508	NON RETURN VALVE (DRAIN PUMP)
3	27	MH100510	BRACKET for NON RETURN VALVE
3	28	MH100509	DRAIN HOSE 34dia 2mtr
3	29	MH100506	DRAIN PUMP
3	31	MH103957	SEKOBRIILL TUBE 6x10
3	32	MH103969	PIPE
3	33	Q904266	TUBE END FILTER – CHEMICALS
3	34	MH103956	RINSE AID PUMP

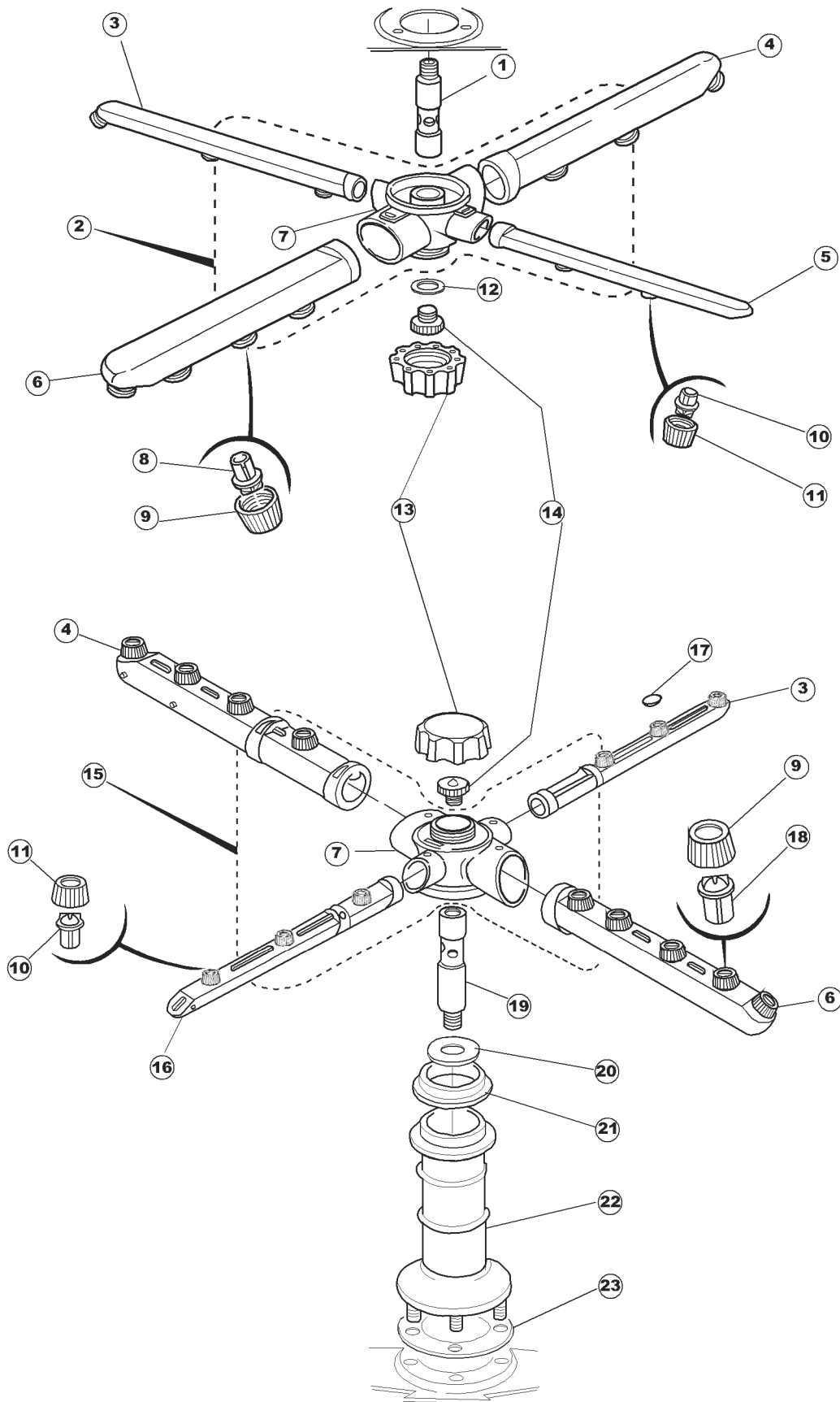




Page	Ref	Part code	Description
5	1	MH100528	DRIP RING
5	2	MH100527	GASKET
5	3	MH100065	RINSE FEED TUBE
5	4	MH100546	REAR WASH TUBE
5	5	MH100529	BOTTOM WASH TUBE
5	6	MH101485	SCRAP TRAY – LEFT & RIGHT
5	7	MH101484	SCRAP TRAY – CENTRE SECTION
5	8	MH101030	SCRAP TRAY SUPPORT NUT

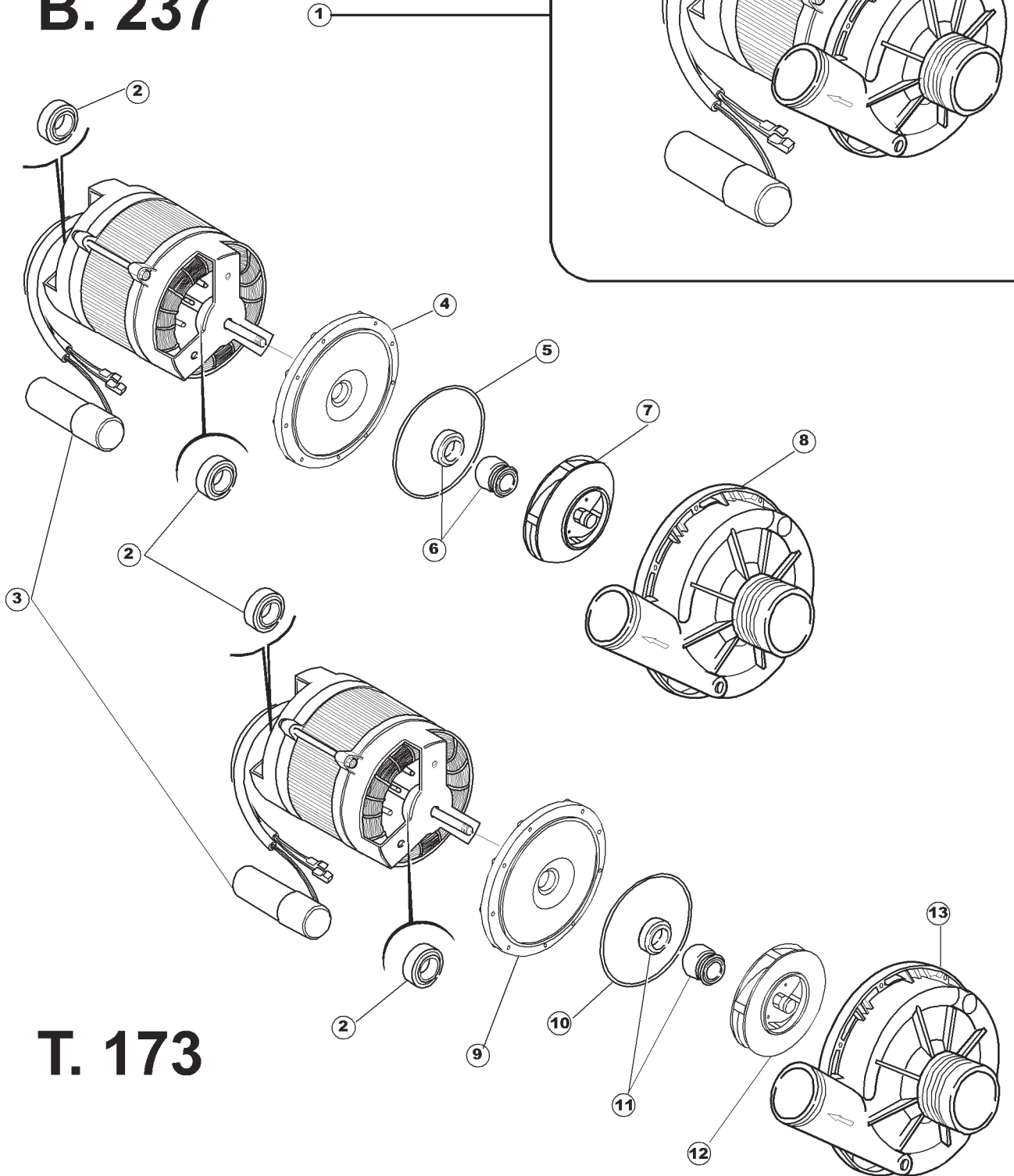


Page	Ref	Part code	Description
6	1	MH101007	BOSS SPINDLE
6	2	MH100609	WASH / RINSE ARM SPINDLE
6	3	MH101032	RINSE ARM – 3 JET
6	4	MH101035	WASH ARM – 4 JET
6	5	MH101033	RINSE RAM – 3 JET (END JET)
6	6	MH101036	WASH ARM – 5 JET
6	7	MH101009	CENTRE BOSS – WASH / RINSE ARM
6	8	MH101037	WASH JET CENTRE
6	9	MH100938	WASH JET RETAINER
6	10	MH100409	RINSE JET CENTRE
6	11	MH100408	RINSE JAT RETAINER
6	12	MH103441	GASKET
6	13	MH100998	GREY FIXING KNOB
6	14	MH100999	WASH / RINSE ARM SECURING BOLT
6	15	MH102484	COMPLETE BOTTOM WASH / RINSE ARM
6	16	MH101196	RINSE ARM – 3 JET LEFT HAND
6	17	MH101000	PLASTIC PLUG
6	18	MH100939	WASH JET
6	19	MH103640	SPINDLE – WASH / RINSE ARM
6	20	MH101052	WASHER FOR SPINDLE
6	21	MH101053	DISC
6	22	MH100531	WASH BOSS
6	23	MH100491	GASKET – BOTTOM BOSS



Page	Ref	Part code	Description
7	1	MH100533	WASH PUMP
7	2	MH100534	BEARING
7	3	Q910111	CAPACITOR 16mf
7	4	MH100535	REAR IMPELLOR HOUSING B-237
7	5	MH100536	PUMP GASKET
7	6	MH100539	SHAFT SEAL 12mm
7	7	MH100537	IMPELLOR dia96 – FITS B-237
7	8	MH100538	PUMP FRONT HOUSING – B-237
7	9	MH100541	REAR IMPELLOR COVER – FITS T173
7	10	MH100542	IMPELLOR HOUSING SEAL
7	11	MH100420	MECHANICAL SEAL
7	12	MH100543	IMPELLOR dia104mm – FITS T173
7	13	MH100544	FRONT IMPELLOR HOUSING T173

B. 237



T. 173

Page	Ref	Part code	Description
4	1	MH100515	AIR VENT TUBE
4	2	MH100516	AIR BREAK ASSEMBLY
4	3	MH100553	TUBE 10x17mm (5mtr)
4	4	MH100372	AIR BOX ASSEMBLY
4	5	MH100373	AIR BOX
4	6	MH100374	O.RING – AIR BOX CONNECTION
4	7	MH100375	O.RING
4	8	MH100545	HOSE CLIP
4	9	MH100376	ELBOW CONNECTOR – AIR BOX
4	10	MH100524	DRAIN PLUG
4	11	MH100513	DRAIN ELBOW – PLASTIC
4	12	MH100505	WASHER
4	13	MH100503	NUT – PLASTIC 1-1/4
4	14	MH100509	DRAIN HOSE 34dia 2mtr
4	15	MH100128	WASH PUMP FILTER
4	16	MH100519	FILTER STAND
4	17	MH100520	GASKET – PUMP FILTER
4	18	MH100521	TUBE – WASH PUMP INLET