

easicook.co.uk

Spare Parts Manual

**Leading UK Distributors
of Catering Equipment Since 1977**

Sales - Repairs - Spares

Tel: 029 20747567

Fax: 029 20214100

Email: info@easicook.co.uk

[Click Here for Live Online Chat](#)

**Lavavajillas
Lavevaisselle
Dishwasher
Geschirrspüler
Lavastoviglie**

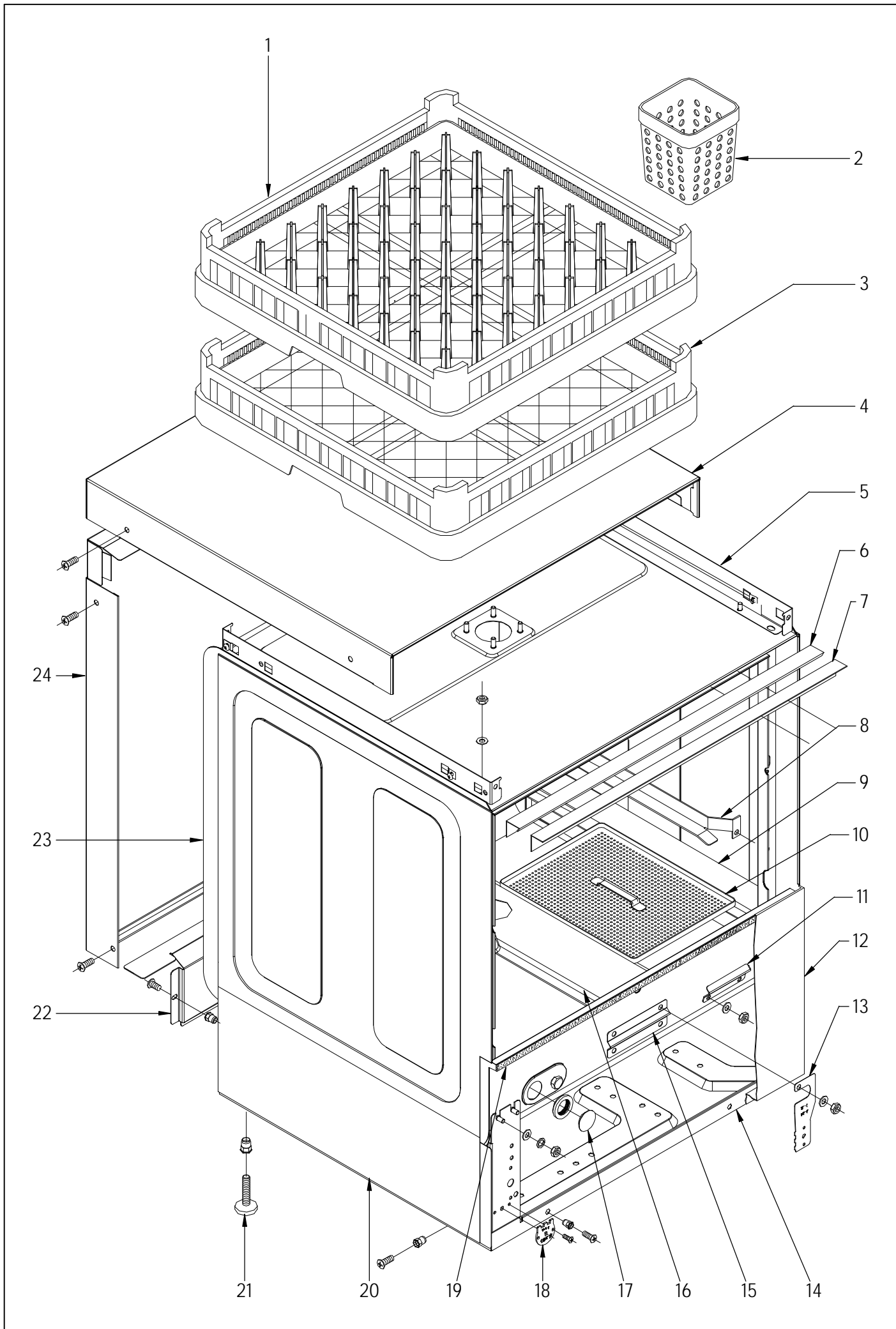
Modelos:

**FI-48
FI-48B
FI-48D
FI-48HY CLINIC
FI-48B BT UK
FI-48W**

Junio 2007 June



Fagor Industrial



| | | | | | |
|---------|--------------------|---------|--------------------|--------|--|
| N plano | Firma | Fecha | Aparato | MUEBLE | Lamina |
| C-1829 | <i>[Signature]</i> | 2007-06 | LAVAVAJILLAS FI-48 | 1 | Fagor Industrial S.Coop. FAGOR Onote |

MOD. LAVAVAJILLAS DE APERTURA FRONTAL

ZONA

MUEBLE

PLANO

C-1829

| ITEM | CODIGO | DENOMINACION | TEXTO | FI-48 | FI-48 B | FI-48 D | FI-48 HY CLINIC | FI-48 B-BTUK | FI-48 W | | NOTAS |
|------|------------|------------------------------|-------|-------|---------|---------|-----------------|--------------|---------|--|-------|
| 1 | Z655302000 | CESTILLO PLATOS CP-16-18 | | 1 | 1 | 1 | 1 | 1 | 1 | | |
| 2 | Z655314000 | CESTILLO CUBIERTOS | | 4 | 4 | 4 | 4 | 4 | — | | |
| 3 | Z655301000 | CESTILLO BASE CT-10 | | 1 | 1 | 1 | 1 | 1 | 1 | | |
| | Z209121000 | TOPE 50x50x80 | | 2 | 2 | 2 | 2 | 2 | 2 | | |
| 4 | Z202906000 | TAPA T-CO. | | 1 | 1 | 1 | 1 | 1 | 1 | | |
| | Q221342000 | REMACHE EXAGONAL M5 | | 2 | 2 | 2 | 2 | 2 | 2 | | |
| | Q152004000 | TORNIL, APLASTADO M5x13 A304 | | 2 | 2 | 2 | 2 | 2 | 2 | | |
| | Q152004000 | TORNIL, APLASTADO M5x13 A304 | | 4 | 4 | 4 | 4 | 4 | 4 | | |
| | Q221012000 | TUERCA RAPIDA M,5 | | 4 | 4 | 4 | 4 | 4 | 4 | | |
| | 3713500000 | PERFIL CUBREARISTAS PLASTICO | | 1 | 1 | 1 | 1 | 1 | 1 | | |
| 5 | Z200329000 | ESCUADRA AMARRE TAPA AF | | 2 | 2 | 2 | 2 | 2 | 2 | | |
| | Q162040000 | TUERCA EXAGONAL M6 | | 4 | 4 | 4 | 4 | 4 | 4 | | |
| | Q232040000 | ARANDELA A6 | | 4 | 4 | 4 | 4 | 4 | 4 | | |
| | Q012073000 | TORNILLO EXAGONAL M12X20 | | 2 | 2 | 2 | 2 | 2 | 2 | | |
| | Q306024000 | JUNTA18X12.5X1.5 | | 2 | 2 | 2 | 2 | 2 | 2 | | |
| | Q162070000 | TUERCA EXAGONAL M12 | | 2 | 2 | 2 | 2 | 2 | 2 | | |
| 6 | Z200315000 | PERFIL CAJA | | 1 | 1 | 1 | 1 | 1 | 1 | | |
| 7 | Z200309000 | ESCUADRA SUJECCION PERFIL | | 1 | 1 | 1 | 1 | 1 | 1 | | |
| 8 | Z200305000 | GUIA CESTILLO DERECHO | | 1 | 1 | 1 | 1 | 1 | 1 | | |
| | Q162040000 | TUERCA EXAGONAL M6 | | 2 | 2 | 2 | 2 | 2 | 2 | | |
| | Q232040000 | ARANDELA A6 | | 2 | 2 | 2 | 2 | 2 | 2 | | |
| | Q012073000 | TORNILLO EXAGONAL M12X20 | | 1 | 1 | 1 | 1 | 1 | 1 | | |
| S/Nº | Z200306000 | GUIA CESTILLO IZQUIERDO | | 1 | 1 | 1 | 1 | 1 | 1 | | |
| | Q162040000 | TUERCA EXAGONAL M6 | | 2 | 2 | 2 | 2 | 2 | 2 | | |
| | Q232040000 | ARANDELA A6 | | 2 | 2 | 2 | 2 | 2 | 2 | | |
| | Q306024000 | JUNTA18X12.5X1.5 | | 1 | 1 | 1 | 1 | 1 | 1 | | |
| | Q162070000 | TUERCA EXAGONAL M12 | | 1 | 1 | 1 | 1 | 1 | 1 | | |
| | Q162040000 | TUERCA EXAGONAL M6 | | 2 | 2 | 2 | 2 | 2 | 2 | | |
| | Q232040000 | ARANDELA A6 | | 2 | 2 | 2 | 2 | 2 | 2 | | |
| | | | | | | | | | | | |
| | | | | | | | | | | | |

MOD. LAVAVAJILLAS DE APERTURA FRONTAL

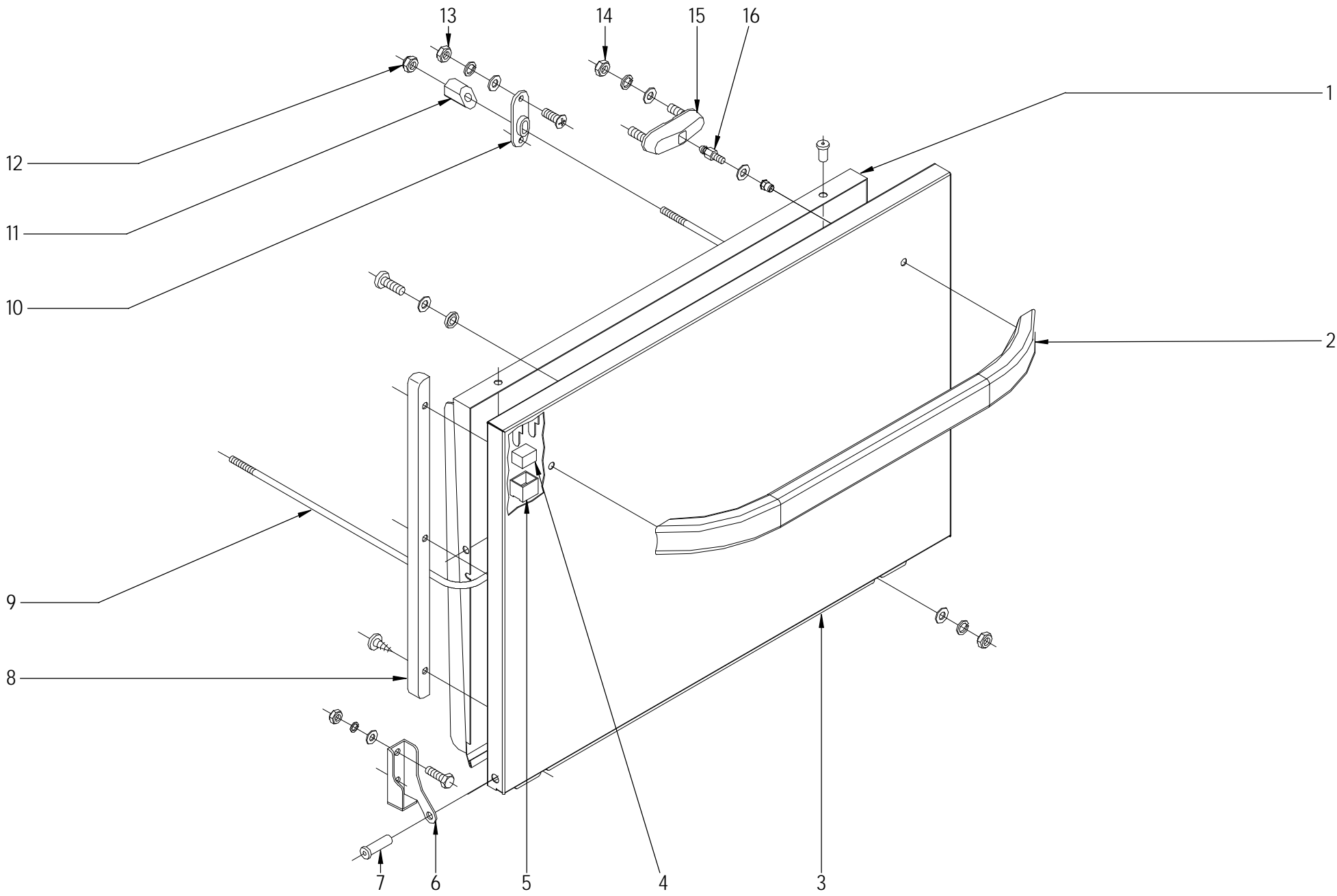
ZONA

MUEBLE

PLANO

C-1829

| ITEM | CODIGO | DENOMINACION | TEXTO | FI-48 | FI-48 B | FI-48 D | FI-48 HY CLINIC | FI-48 B-BTUK | FI-48 W | | NOTAS |
|------|------------|------------------------------|-------|-------|---------|---------|--------------------|--------------|---------|--|-------|
| 9 | Z210805000 | SOPORTE DERECHO BANDEJAS | | 1 | 1 | 1 | 1 | 1 | 1 | | |
| S/Nº | Z210806000 | SOPORTE IZDO. BANDEJAS | | 1 | 1 | 1 | 1 | 1 | 1 | | |
| | Q162040000 | TUERCA EXAGONAL M6 | | 4 | 4 | 4 | 4 | 4 | 4 | | |
| | Q232040000 | ARANDELA A6 | | 4 | 4 | 4 | 4 | 4 | 4 | | |
| 10 | Z210801000 | BANDEJA COMPLETA | | 4 | 4 | 4 | 4 | 4 | 4 | | |
| 11 | Z431701000 | CHAPA TERMOMETRO W | | - | - | - | - | - | 1 | | |
| | Q162040000 | TUERCA EXAGONAL M6 | | - | - | - | - | - | 2 | | |
| | Q232040000 | ARANDELA A6 | | - | - | - | - | - | 2 | | |
| | Q262040000 | ARANDELA GROW. A6 A.304 | | - | - | - | - | - | 2 | | |
| 12 | Z202913000 | PANEL FRONTAL SIN PUERTA | | 1 | - | 1 | - | - | - | | |
| 12 | Z228812000 | PANEL FRONTAL B SIN PUERTA | | - | 1 | - | 1 | 1 | 1 | | |
| | Q152004000 | TORNIL, APLASTADO M5x13 A304 | | 2 | 2 | 2 | 2 | 2 | 2 | | |
| 13 | Z208435000 | SOPORTE W TERMOST. TANQUE | | - | - | - | - | - | 1 | | |
| | Q162040000 | TUERCA EXAGONAL M6 | | - | - | - | - | - | 4 | | |
| | Q232040000 | ARANDELA A6 | | - | - | - | - | - | 4 | | |
| | Q262040000 | ARANDELA GROW. A6 A.304 | | - | - | - | - | - | 4 | | |
| 14 | Z200101000 | ARMAZON COMPLETO | | 1 | 1 | 1 | 1 | 1 | 1 | | |
| | Q221345000 | REMACHE EXAGONAL M10 | | 4 | 4 | 4 | 4 | 4 | 4 | | |
| | Q221342000 | REMACHE EXAGONAL M5 | | 16 | 16 | 16 | 16 | 16 | 16 | | |
| 15 | Z748008000 | SOPORTE BULBO TERMOSTATO | | - | - | - | - | - | 1 | | |
| 16 | Z210804000 | SOPORTE CENTRAL BANDEJAS | | 1 | 1 | 1 | 1 | 1 | 1 | | |
| 17 | P443060000 | TAPON | | - | - | - | - | - | 1 | | |
| | N503017000 | SOPORTE TERMOSTATO 1001713 | | - | - | - | - | - | 1 | | |
| | Q012073000 | TORNILLO EXAGONAL M12X20 | | - | - | - | - | - | 1 | | |
| 18 | Z718446000 | CHAPA W 85°C | | - | - | - | - | - | 1 | | |
| 19 | Z200313000 | PERFIL GOMA ESPONJOSA | | 1 | 1 | 1 | 1 | 1 | 1 | | |
| 20 | Z202903000 | PANEL LATERAL IZQUIERDO | | 1 | 1 | 1 | 1 | 1 | 1 | | |
| | Q152004000 | TORNIL, APLASTADO M5x13 A304 | | 2 | 2 | 2 | 2 | 2 | 2 | | |
| S/Nº | Z202902000 | PANEL LATERAL DERECHO | | 1 | 1 | 1 | 1 | 1 | 1 | | |
| | Q152004000 | TORNIL, APLASTADO M5x13 A304 | | 2 | 2 | 2 | 2 | 2 | 2 | | |



MOD. LAVAVAJILLAS DE APERTURA FRONTAL

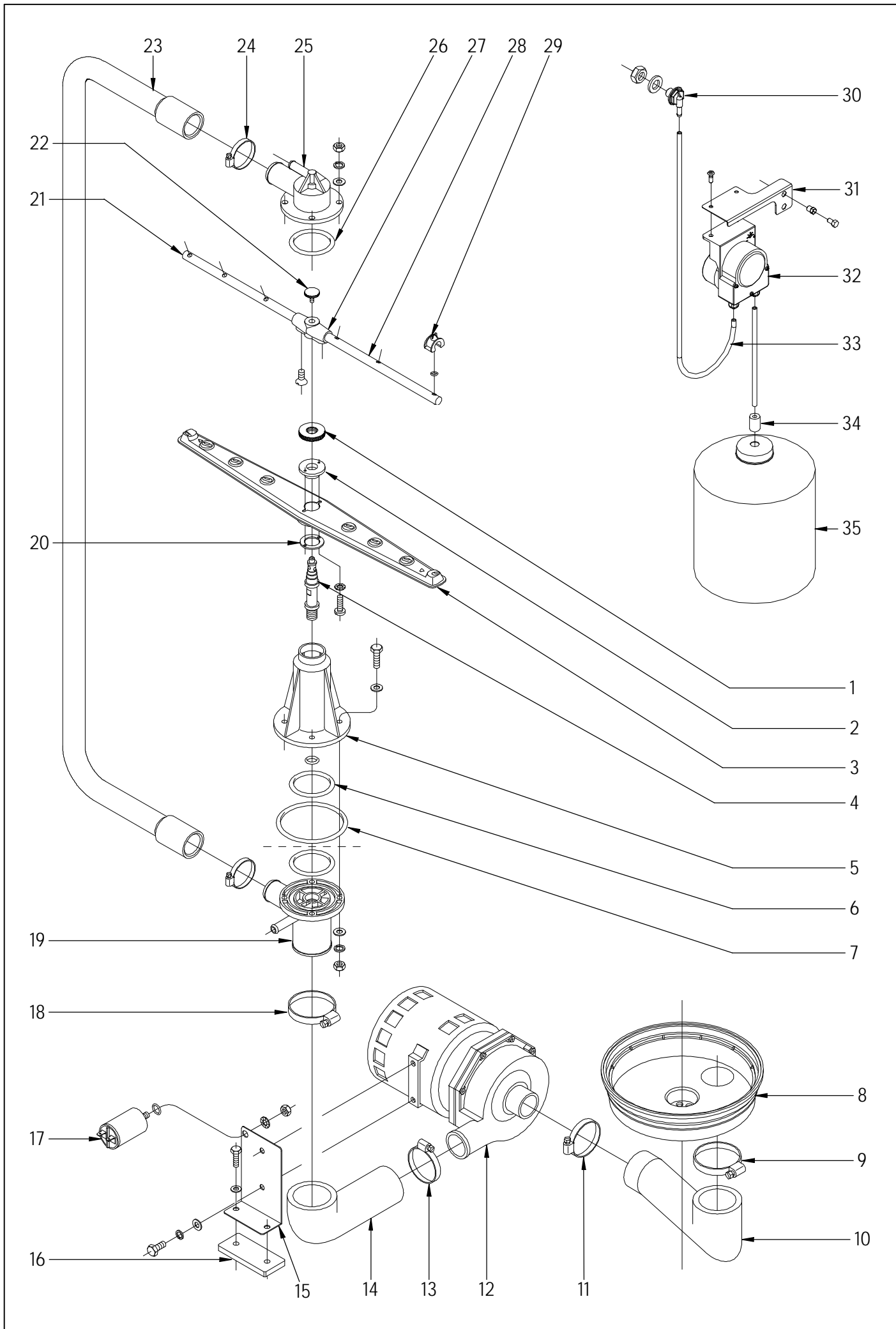
ZONA

PUERTA

PLANO

C-1830

| ITEM | CODIGO | DENOMINACION | TEXTO | FI-48 | FI-48 B | FI-48 D | FI-48 HY CLINIC | FI-48 B-BTUK | FI-48 W | | NOTAS |
|------|------------|------------------------------|-------|-------|---------|---------|--------------------|--------------|---------|--|-------|
| 1 | Z200545000 | CONTRAPUERTA SOLDADA | | 1 | 1 | 1 | 1 | 1 | 1 | | |
| | Q412000000 | REMACHE TUBULAR 4 x 8 | | 4 | 4 | 4 | 4 | 4 | 4 | | |
| 2 | Z200551000 | ASA PUERTA | | 1 | 1 | 1 | 1 | 1 | 1 | | |
| 3 | Z218005000 | PUERTA SOLDADA | | 1 | 1 | 1 | 1 | 1 | 1 | | |
| 4 | Z200506000 | IMAN | | 1 | 1 | 1 | 1 | 1 | 1 | | |
| 5 | Z200507000 | PROTECTOR IMAN | | 1 | 1 | 1 | 1 | 1 | 1 | | |
| 6 | Z400514000 | BISAGRA IZQUIERDA T-C. | | 1 | 1 | 1 | 1 | 1 | 1 | | |
| | Q012042000 | TORNIL. EXAGONAL M6X15 A.304 | | 2 | 2 | 2 | 2 | 2 | 2 | | |
| | Q232040000 | ARANDELA A6 | | 2 | 2 | 2 | 2 | 2 | 2 | | |
| | Q262040000 | ARANDELA GROW. A6 A.304 | | 2 | 2 | 2 | 2 | 2 | 2 | | |
| | Q162040000 | TUERCA EXAGONAL M6 | | 1 | 1 | 1 | 1 | 1 | 1 | | |
| S/Nº | Z400515000 | BISAGRA DERECHA T-C. | | 1 | 1 | 1 | 1 | 1 | 1 | | |
| | Q012042000 | TORNIL. EXAGONAL M6X15 A.304 | | 2 | 2 | 2 | 2 | 2 | 2 | | |
| | Q232040000 | ARANDELA A6 | | 2 | 2 | 2 | 2 | 2 | 2 | | |
| | Q262040000 | ARANDELA GROW. A6 A.304 | | 2 | 2 | 2 | 2 | 2 | 2 | | |
| | Q162040000 | TUERCA EXAGONAL M6 | | 1 | 1 | 1 | 1 | 1 | 1 | | |
| 7 | Z400516000 | EJE PUERTA | | 2 | 2 | 2 | 2 | 2 | 2 | | |
| 8 | Z200524000 | MARCO PUERTA | | 2 | 2 | 2 | 2 | 2 | 2 | | |
| | Q032041000 | TORNILLO ALOMADO M6X10 | | 2 | 2 | 2 | 2 | 2 | 2 | | |
| | Q308002000 | ARANDELA DUBO A6 NYLON | | 2 | 2 | 2 | 2 | 2 | 2 | | |
| 9 | Z200521000 | VARILLA TENSOR | | 1 | 1 | 1 | 1 | 1 | 1 | | |
| 10 | Z200310000 | SOPORTE TENSOR | | 2 | 2 | 2 | 2 | 2 | 2 | | |
| 11 | Z200522000 | TENSOR PUERTA | | 2 | 2 | 2 | 2 | 2 | 2 | | |
| 12 | Q222012000 | TUERCA AUTOB. M6 | | 2 | 2 | 2 | 2 | 2 | 2 | | |
| 13 | Q162030000 | TUERCA EXAGONAL M5 | | 4 | 4 | 4 | 4 | 4 | 4 | | |
| | Q152004000 | TORNIL, APLASTADO M5x13 A304 | | 4 | 4 | 4 | 4 | 4 | 4 | | |
| | Q232030000 | ARANDELA A5 | | 4 | 4 | 4 | 4 | 4 | 4 | | |
| | Q262030000 | ARANDELA GROW. A5 A.304 | | 4 | 4 | 4 | 4 | 4 | 4 | | |
| 14 | Q222012000 | TUERCA AUTOB. M6 | | 4 | 4 | 4 | 4 | 4 | 4 | | |
| | Q232030000 | ARANDELA A5 | | 4 | 4 | 4 | 4 | 4 | 4 | | |
| | Q262030000 | ARANDELA GROW. A5 A.304 | | 4 | 4 | 4 | 4 | 4 | 4 | | |



| | | | | | | |
|---------|--------------------|---------|--------------------|---------------------------|--------|---------------------------------------|
| N plano | Firma | Fecha | Aparato | PARTE FUNCIONAL DE LAVADO | Lamina | Fagor Industrial S.Coop. FAGOR |
| C-1831 | <i>[Signature]</i> | 2007-06 | LAVAVAJILLAS FI-48 | | 3 | Onote |

MOD. LAVAVAJILLAS DE APERTURA FRONTAL

ZONA

PARTE FUNCIONAL LAVADO

PLANO

C-1831

| ITEM | CODIGO | DENOMINACION | TEXTO | FI-48 | FI-48 B | FI-48 D | FI-48 HY CLINIC | FI-48 B-BTUK | FI-48 W | | NOTAS |
|------|------------|------------------------------|-------|-------|---------|---------|-----------------|--------------|---------|--|-------|
| 1 | Z200705000 | TUERCA ESPECIAL M.14X1 | | 2 | 2 | 2 | 2 | 2 | 2 | | |
| 2 | Z650704000 | ENGANCHE DISTRIBUIDOR | | 2 | 2 | 2 | 2 | 2 | 2 | | |
| 3 | Z650716000 | DISTRIBUIDOR MONTADO | | 2 | 2 | 2 | 2 | 2 | 2 | | |
| 4 | Z200704000 | EJE CENTRAL | | 2 | 2 | 2 | 2 | 2 | 2 | | |
| 5 | Z200701000 | SOPORTE DISTRIBUID. INFERIOR | | 1 | 1 | 1 | 1 | 1 | 1 | | |
| | Q307050000 | JUNTA TOR.13.94X19.18X2.6 | | 1 | 1 | 1 | 1 | 1 | 1 | | |
| | Q012046000 | TORNIL. EXAGONAL M6X40 A.304 | | 4 | 4 | 4 | 4 | 4 | 4 | | |
| | Q306050000 | ARANDELA Ø6X12X1.5 | | 4 | 4 | 4 | 4 | 4 | 4 | | |
| 6 | Q307052000 | JUNTA TOR.50.17X60.83X5.3 | | 2 | 2 | 2 | 2 | 2 | 2 | | |
| 7 | Q307049000 | JUNTA TOR.85.09X95.75X5.3 | | 1 | 1 | 1 | 1 | 1 | 1 | | |
| 8 | Z200906000 | CUBETA | | 1 | 1 | 1 | 1 | 1 | 1 | | |
| 9 | Q881324000 | ABRAZADERA 50-70L | | 1 | 1 | 1 | 1 | 1 | 1 | | |
| 10 | Z200904000 | CODO ASPIRACION 1003018 | | 1 | 1 | 1 | 1 | 1 | 1 | | |
| 11 | Q881307000 | ABRAZADERA 40-60 | | 1 | 1 | 1 | 1 | 1 | 1 | | |
| 12 | Z201011000 | BOMBA DE LAVADO | | 1 | 1 | 1 | 1 | 1 | - | | |
| 12 | Z203511000 | BOMBA DE LAVADO 60 HZ. | | 1 | 1 | 1 | 1 | 1 | 1 | | |
| | Z203601000 | RESISTENCIA TANQUE | | 1 | 1 | 1 | 1 | 1 | 1 | | |
| 13 | Q881307000 | ABRAZADERA 40-60 | | 1 | 1 | 1 | 1 | 1 | 1 | | |
| 14 | Z200905000 | CODO IMPULSION 1003017 | | 1 | 1 | 1 | 1 | 1 | 1 | | |
| 15 | Z201002000 | SOPORTE MOTOBO.F-3-4-5-6 | | 1 | 1 | 1 | 1 | 1 | 1 | | |
| | Q012041000 | TORNIL. EXAGONAL M6X10 A.304 | | 2 | 2 | 2 | 2 | 2 | 2 | | |
| | Q232040000 | ARANDELA A6 | | 2 | 2 | 2 | 2 | 2 | 2 | | |
| | Q262040000 | ARANDELA GROW. A6 A.304 | | 2 | 2 | 2 | 2 | 2 | 2 | | |
| 16 | Z201003000 | BASE BOMBA LAVADO 1003016 | | 1 | 1 | 1 | 1 | 1 | 1 | | |
| | Q012033000 | TORNIL. EXAGONAL M5X20 A.304 | | 2 | 2 | 2 | 2 | 2 | 2 | | |
| | Q232030000 | ARANDELA A5 | | 2 | 2 | 2 | 2 | 2 | 2 | | |
| 17 | V321300000 | CONDENSADOR 10 M.F. | | 1 | 1 | 1 | 1 | 1 | 1 | | |
| | Q307048000 | JUNTA TORICA 9.12X16.18X3.53 | | 1 | 1 | 1 | 1 | 1 | 1 | | |
| | Q162050000 | TUERCA EXAGONAL M8x1 INOX. | | 1 | 1 | 1 | 1 | 1 | 1 | | |
| | Q261050000 | ARANDELA MUELLE A8 | | 1 | 1 | 1 | 1 | 1 | 1 | | |
| 18 | Q881324000 | ABRAZADERA 50-70L | | 1 | 1 | 1 | 1 | 1 | 1 | | |

MOD. LAVAVAJILLAS DE APERTURA FRONTAL

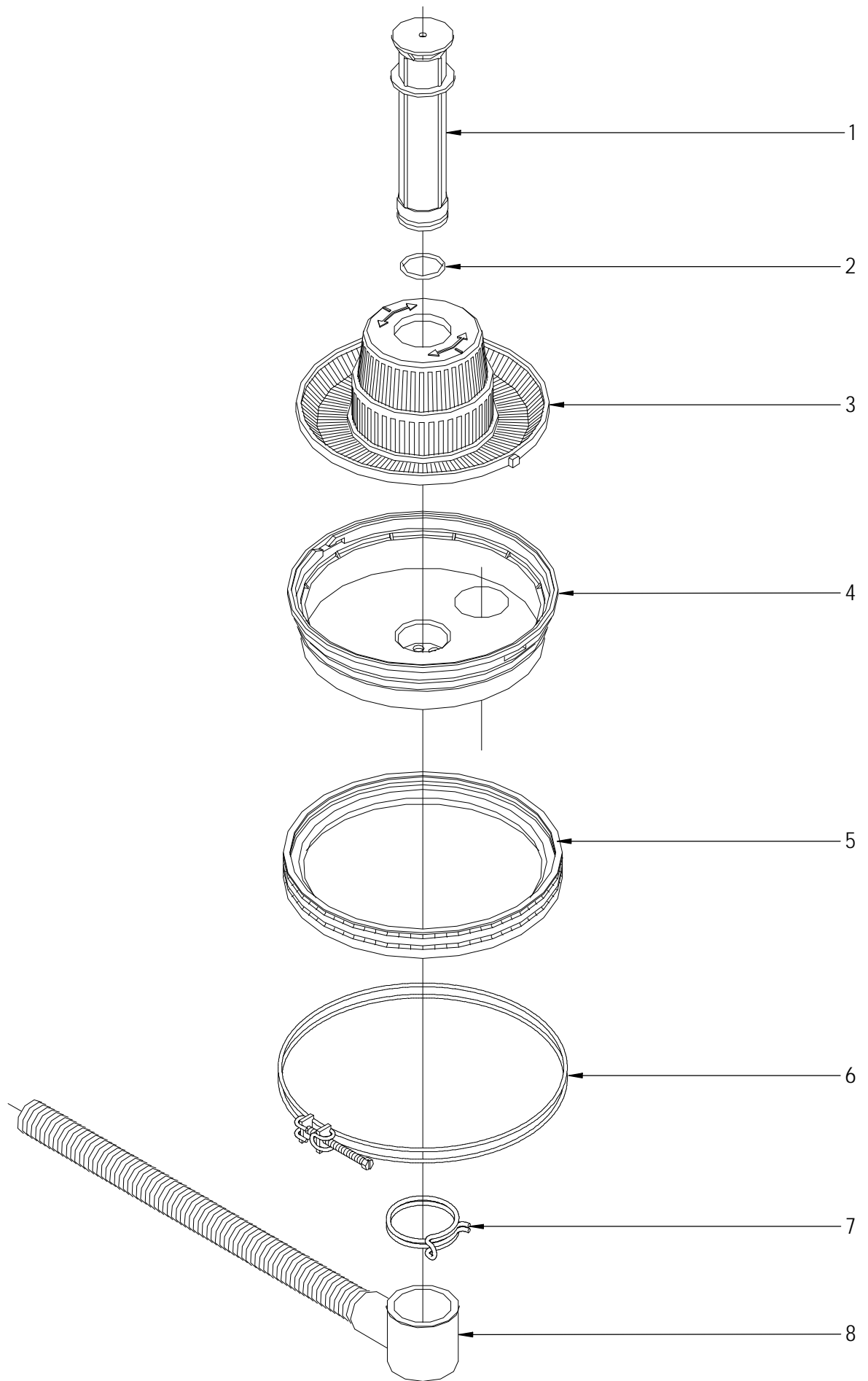
ZONA


PARTE FUNCIONAL LAVADO

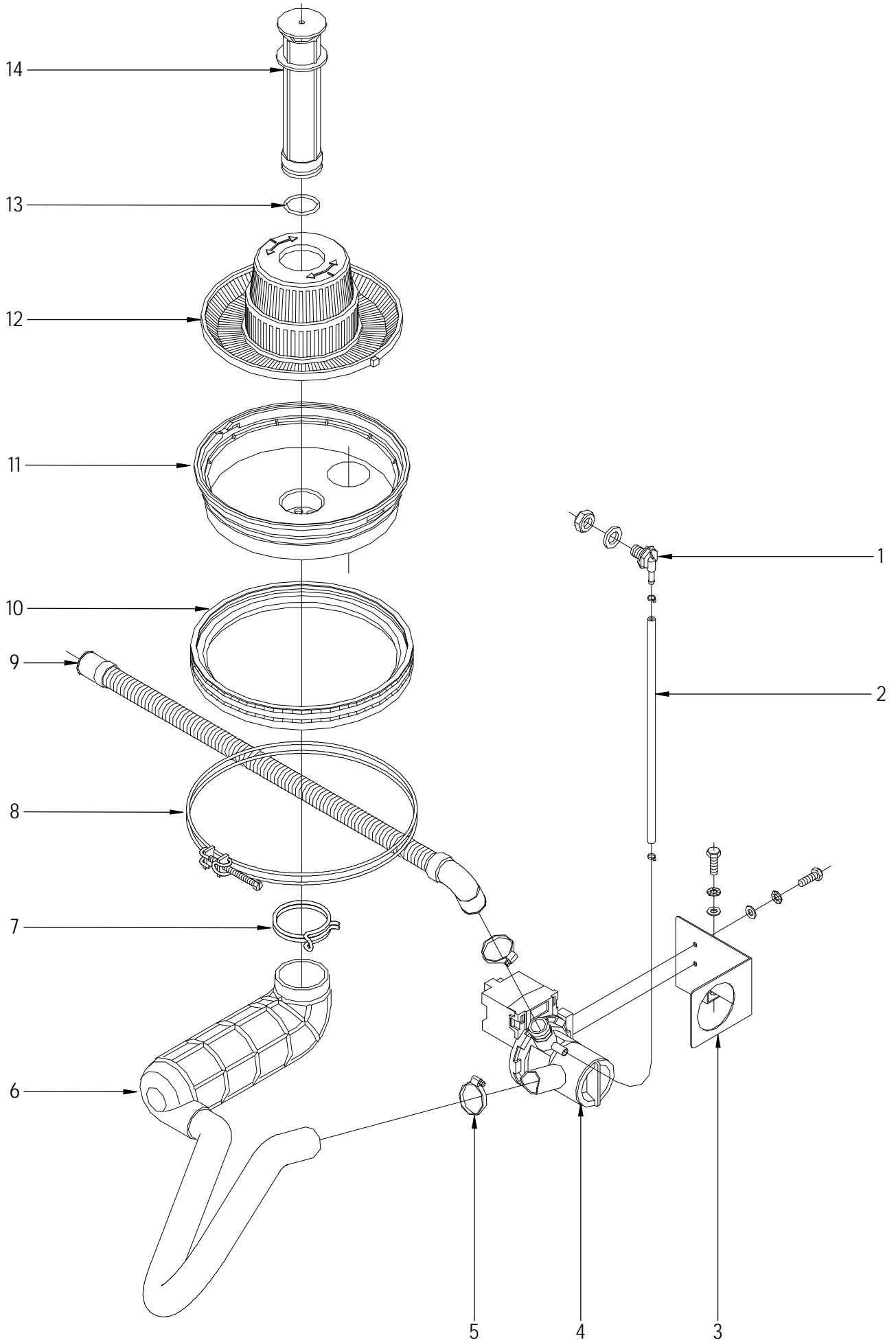
PLANO

C-1831

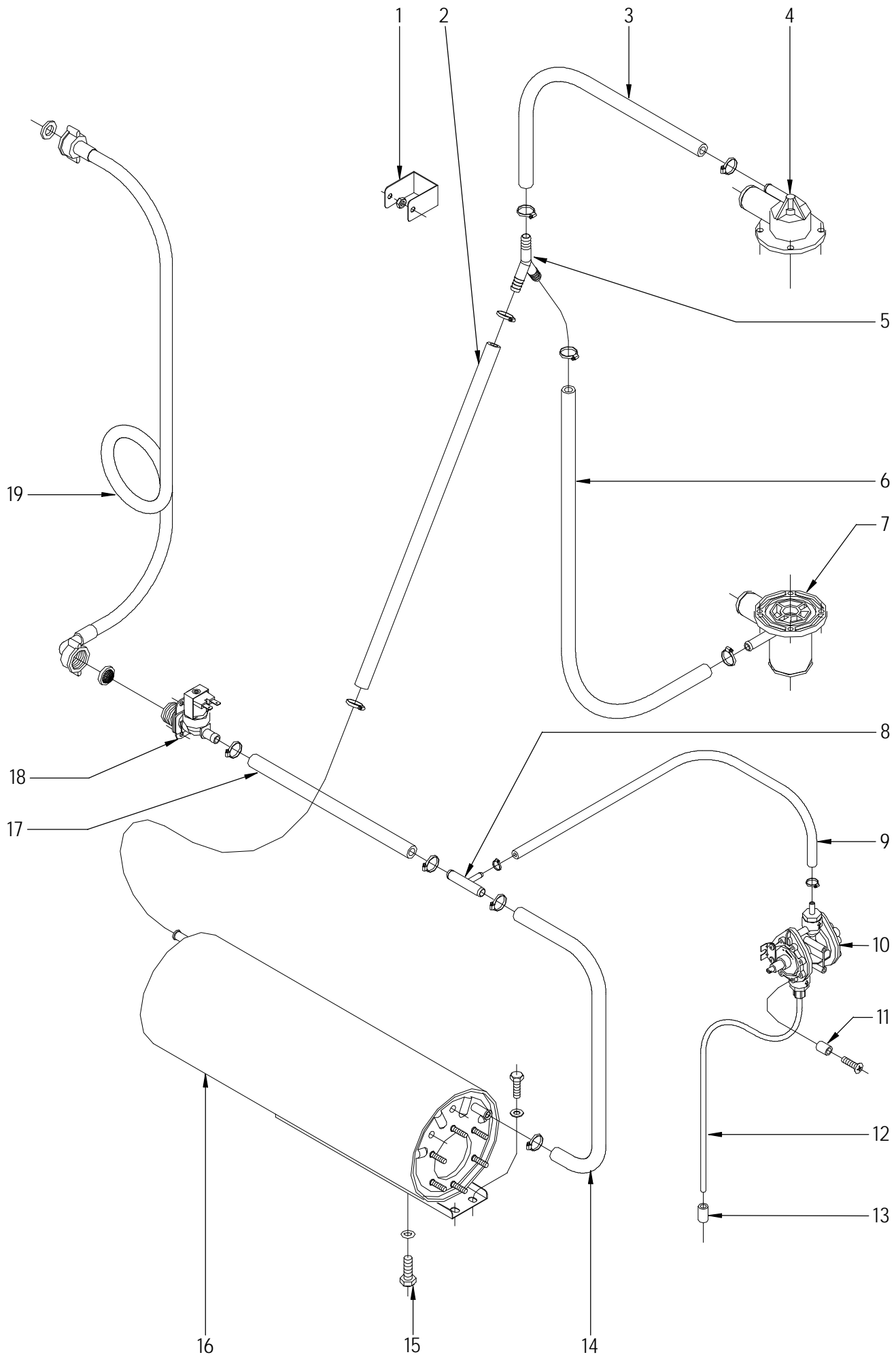
| ITEM | CODIGO | DENOMINACION | TEXTO | FI-48 | FI-48 B | FI-48 D | FI-48 HY CLINIC | FI-48 B-BTUK | FI-48 W | | NOTAS |
|------|------------|------------------------------|-------|-------|---------|---------|-----------------|--------------|---------|--|-------|
| 18 | Q881324000 | ABRAZADERA 50-70L | | 1 | 1 | 1 | 1 | 1 | 1 | | |
| 19 | Z200703000 | PASAMUROS | | 1 | 1 | 1 | 1 | 1 | 1 | | |
| | Q232040000 | ARANDELA A6 | | 4 | 4 | 4 | 4 | 4 | 4 | | |
| | Q262040000 | ARANDELA GROW. A6 A.304 | | 4 | 4 | 4 | 4 | 4 | 4 | | |
| | Q162040000 | TUERCA EXAGONAL M6 | | 4 | 4 | 4 | 4 | 4 | 4 | | |
| 20 | Z650711000 | AMARRE ENGANCHE DISTRIBUID. | | 2 | 2 | 2 | 2 | 2 | 2 | | |
| | Q152015000 | TORNILLO ALOMADO M3X6 | | 4 | 4 | 4 | 4 | 4 | 4 | | |
| | Q242010000 | ARANDELA ABANICO A.3 A304 | | 4 | 4 | 4 | 4 | 4 | 4 | | |
| 21 | Z201902000 | RAMA DE ACLARADO IZQUIERDA | | 2 | 2 | 2 | 2 | 2 | 2 | | |
| 22 | Q152016000 | TORNILLO ESPECIAL M.5X0.8 | | 2 | 2 | 2 | 2 | 2 | 2 | | |
| 23 | Z200706000 | ARBOL DE LAVADO | | 1 | 1 | 1 | 1 | 1 | 1 | | |
| 24 | Q881305000 | ABRAZADERA 25-40 | | 2 | 2 | 2 | 2 | 2 | 2 | | |
| 25 | Z200707000 | SOPORTE DISTRIBUIDOR SUPER. | | 1 | 1 | 1 | 1 | 1 | 1 | | |
| | Q232040000 | ARANDELA A6 | | 4 | 4 | 4 | 4 | 4 | 4 | | |
| | Q262040000 | ARANDELA GROW. A6 A.304 | | 4 | 4 | 4 | 4 | 4 | 4 | | |
| | Q162040000 | TUERCA EXAGONAL M6 | | 4 | 4 | 4 | 4 | 4 | 4 | | |
| 26 | Q307052000 | JUNTA TOR.50.17X60.83X5.3 | | 1 | 1 | 1 | 1 | 1 | 1 | | |
| 27 | Z201903000 | SOPORTE RAMAS ACLARADO | | 2 | 2 | 2 | 2 | 2 | 2 | | |
| | Q042021000 | TORN. AVELLANADO M4X10 A.304 | | 4 | 4 | 4 | 4 | 4 | 4 | | |
| 28 | Z201901000 | RAMA DE ACLARADO DERECHA | | 2 | 2 | 2 | 2 | 2 | 2 | | |
| 29 | Z211903000 | TOBERA ACLARADO | | 12 | 12 | 12 | 12 | 12 | 12 | | |
| 30 | Z230902000 | PASAMUROS DETERGENTE | | - | - | - | 1 | 1 | 1 | | |
| | Q306024000 | JUNTA Ø18X12.5X1.5 | | - | - | - | 1 | 1 | 1 | | |
| | Q162070000 | TUERCA EXAGONAL M12 | | - | - | - | 1 | 1 | 1 | | |
| 31 | Z208434000 | SOPORTE DOSIFICADOR W | | - | - | - | 1 | 1 | 1 | | |
| | Q411304000 | REMACHE AVIBULB Ø4,8 | | - | - | - | 2 | 2 | 2 | | |
| | Q221342000 | REMACHE EXAGONAL M5 | | - | - | - | 2 | 2 | 2 | | |
| | Q012031000 | TORNIL.EXAGONAL M5X10 A.304 | | - | - | - | 2 | 2 | 2 | | |
| | Q232030000 | ARANDELA A5 | | - | - | - | 2 | 2 | 2 | | |
| | Q162030000 | TUERCA EXAGONAL M5 | | - | - | - | 2 | 2 | 2 | | |
| 32 | Z208903000 | DOSIFIC. DGTE REGULABLE G300 | | - | - | - | 1 | 1 | 1 | | |



| | | | | | | |
|---------|--------------------|---------|-----------------------------|-------------------------|--------|---|
| N plano | Firma | Fecha | Aparato | PARTE FUNCIONAL DESAGUE | Lamina | Fagor Industrial S.Coop. FAGOR |
| C-1832 | <i>[Signature]</i> | 2007-06 | LAVAVAJILLAS FI-48; FI-48 D | 4 | Oñate |  |



| | | | | | | |
|---------|--------------------|---------|----------------------------------|-------------------------|--------|---------------------------------------|
| N plano | Firma | Fecha | Aparato | PARTE FUNCIONAL DESAGUE | Lamina | Fagor Industrial S.Coop. FAGOR |
| C-1833 | <i>[Signature]</i> | 2007-06 | LAVAV. FI-48B; CLINIC; B-BTUK; W | 5 | Oñate | |



| | | | | | | |
|---------|--------------------|---------|-----------------------------|--------------------------|--------|---------------------------------------|
| N plano | Firma | Fecha | Aparato | PARTE FUNCIONAL ACLARADO | Lamina | Fagor Industrial S.Coop. FAGOR |
| C-1834 | <i>[Signature]</i> | 2007-06 | LAVAVAJILLAS FI-48 ; FI-48B | | 6 | Oñate |

MOD. LAVAVAJILLAS DE APERTURA FRONTAL

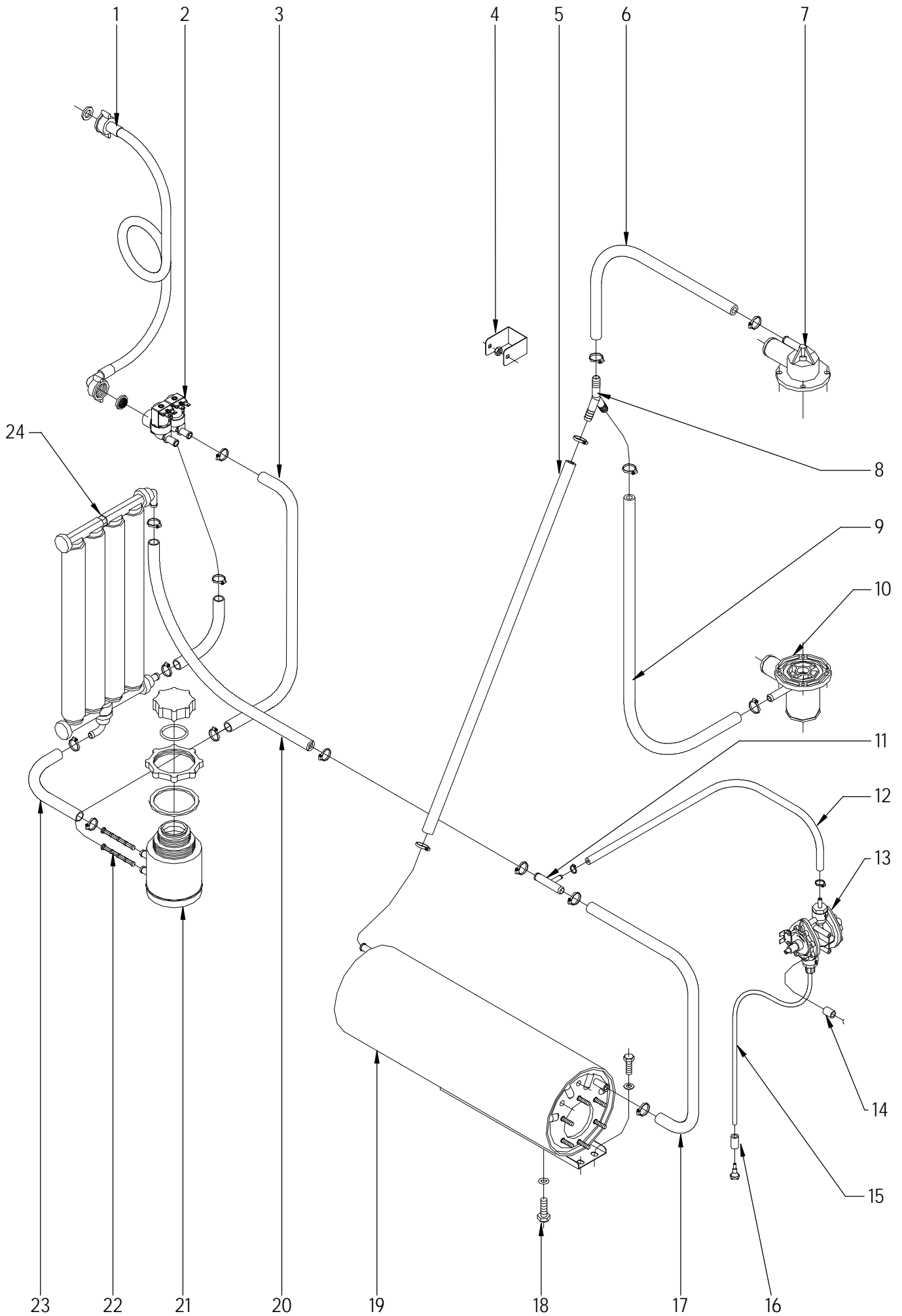
ZONA

PARTE FUNCIONAL ACLARADO

PLANO

C-1834

| ITEM | CODIGO | DENOMINACION | TEXTO | FI-48 | FI-48 B | | | | | | | NOTAS |
|------|------------|-------------------------------|-------|-------|---------|--|--|--|--|--|--|-------|
| 1 | R722631000 | FIJACION ALERON | | 1 | 1 | | | | | | | |
| | Q162040000 | TUERCA EXAGONAL M6 | | 1 | 1 | | | | | | | |
| 2 | 3676900000 | TUBO GOMA NEGRA Ø 17*10 | | 1 | 1 | | | | | | | |
| | Q881302000 | ABRAZADERA 12-20 | | 2 | 2 | | | | | | | |
| 3 | 3676900000 | TUBO GOMA NEGRA Ø 17*10 | | 1 | 1 | | | | | | | |
| | Q881302000 | ABRAZADERA 12-20 | | 2 | 2 | | | | | | | |
| 4 | Z200707000 | SOPORTE DISTRIB. SUPERIOR | | 1 | 1 | | | | | | | |
| 5 | Z201106000 | RACORD EN Y | | 1 | 1 | | | | | | | |
| 6 | 3676900000 | TUBO GOMA NEGRA Ø 17*10 | | 1 | 1 | | | | | | | |
| | Q881302000 | ABRAZADERA 12-20 | | 2 | 2 | | | | | | | |
| 7 | Z200703000 | PASAMUROS | | 1 | 1 | | | | | | | |
| 8 | Z601157000 | TOMA PRESION | | 1 | 1 | | | | | | | |
| 9 | 3704000000 | TUBO GOMA NEGRO D 10,5*5 | | 1 | 1 | | | | | | | |
| | Q881308000 | ABRAZADERA 8-14L | | 2 | 2 | | | | | | | |
| 10 | Z651123000 | DOSIFICADOR TENSOACTIVO | | 1 | 1 | | | | | | | |
| 11 | Z203007000 | CASQUILLO | | 2 | 2 | | | | | | | |
| | Q041324000 | TORN. AVELLA. M4x25 H.ZINCADO | | 2 | 2 | | | | | | | |
| 12 | Z448614000 | CONDUCTO ASPIRACIÓN | | 1 | 1 | | | | | | | |
| 13 | Z701152000 | PESO FILTRO | | 1 | 1 | | | | | | | |
| 14 | 3676900000 | TUBO GOMA NEGRA Ø 17*10 | | 1 | 1 | | | | | | | |
| | Q881302000 | ABRAZADERA 12-20 | | 2 | 2 | | | | | | | |
| 15 | Q012063000 | TORNIL. EXAGONAL M10x20 A.304 | | 1 | 1 | | | | | | | |
| | Q307048000 | JUNTA TORICA Ø9.12X16.18X3.53 | | 1 | 1 | | | | | | | |
| 16 | Z201710000 | CALDERIN COMPLETO | | 1 | 1 | | | | | | | |
| | Q012031000 | TORNIL. EXAGONAL M5x10 A.304 | | 2 | 2 | | | | | | | |
| | Q232030000 | ARANDELA A5 | | 2 | 2 | | | | | | | |
| 17 | 3676900000 | TUBO GOMA NEGRA Ø 17*10 | | 1 | 1 | | | | | | | |
| | Q881302000 | ABRAZADERA 12-20 | | 2 | 2 | | | | | | | |
| 18 | Z701135000 | ELECTR. SIMP.220V COD.255.208 | | 1 | 1 | | | | | | | |
| | Q152024000 | TORN. AVELLANADO M4x8 A.304 | | 2 | 2 | | | | | | | |
| 19 | Z602121000 | MANGUERA ENTRADA AGUA | | 1 | 1 | | | | | | | |



| | | | | | | |
|---------|--------------------|---------|----------------------|--------------------------|--------|---------------------------------------|
| N plano | Firma | Fecha | Aparato | PARTE FUNCIONAL ACLARADO | Lamina | Fagor Industrial S.Coop. FAGOR |
| C-1835 | <i>[Signature]</i> | 2007-06 | LAVAVAJILLAS FI-48 D | | 7 | Oñate |

MOD. LAVAVAJILLAS DE APERTURA FRONTAL

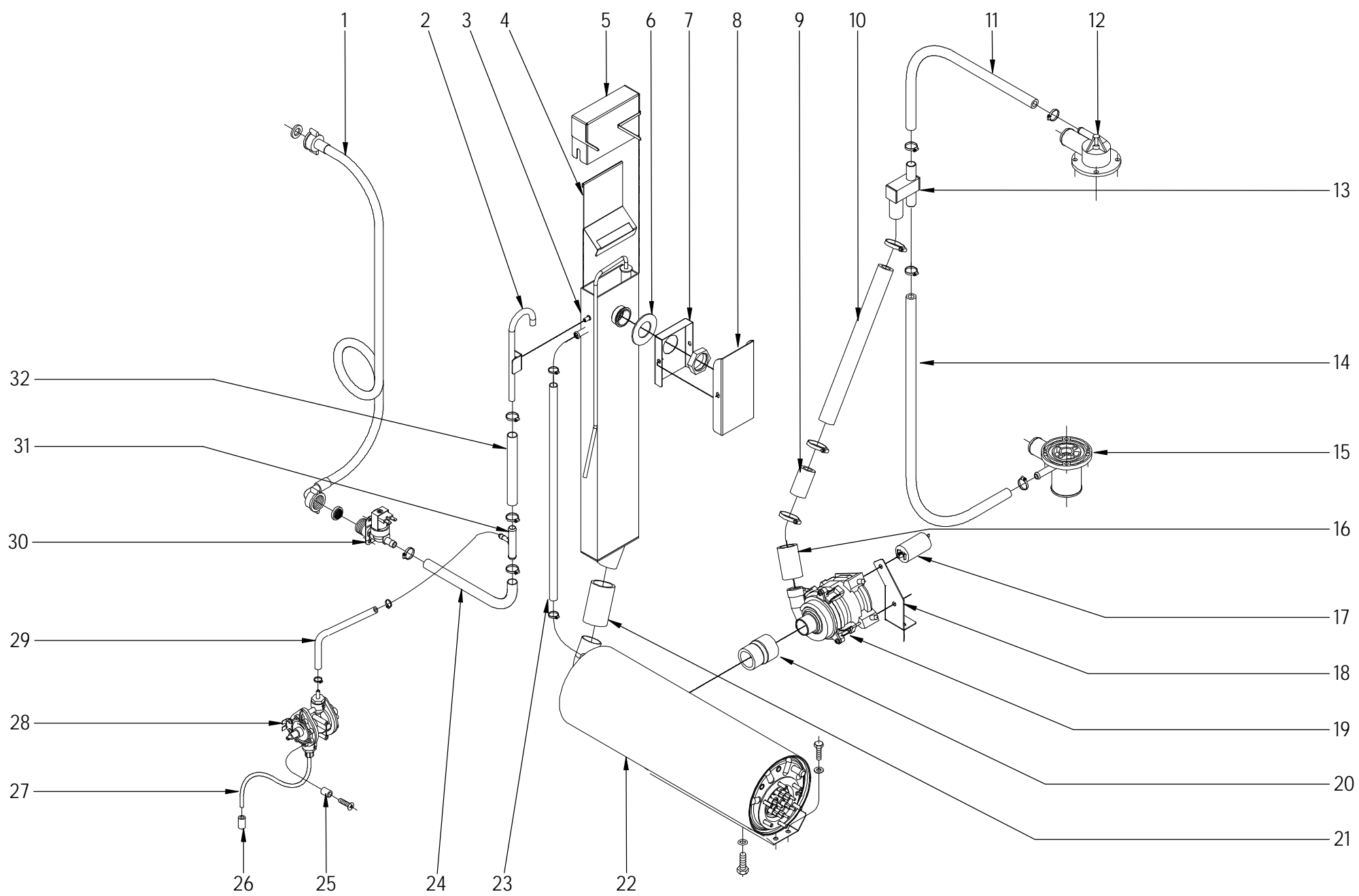
ZONA

PARTE FUNCIONAL ACLARADO

PLANO

C-1835

| ITEM | CODIGO | DENOMINACION | TEXTO | FI-48 D | | | | | | | NOTAS |
|------|------------|-------------------------------|-------|---------|--|--|--|--|--|--|-------|
| 1 | Z602121000 | MANGUERA ENTRADA AGUA | | 1 | | | | | | | |
| 2 | P255001000 | ELECTROVALVULA DOBLE | | 1 | | | | | | | |
| | P305013000 | REGULADOR 1L. AMA 255.005 | | 1 | | | | | | | |
| | Q152024000 | TORN. AVELLANADO M4x8 A.304 | | 2 | | | | | | | |
| 3 | 3676900000 | TUBO GOMA NEGRA Ø 17*10 | | 1 | | | | | | | |
| | Q881302000 | ABRAZADERA 12-20 | | 2 | | | | | | | |
| 4 | R722631000 | FIJACION ALERON | | 1 | | | | | | | |
| | Q162040000 | TUERCA EXAGONAL M6 | | 1 | | | | | | | |
| 5 | 3676900000 | TUBO GOMA NEGRA Ø 17*10 | | 1 | | | | | | | |
| | Q881302000 | ABRAZADERA 12-20 | | 2 | | | | | | | |
| 6 | 3676900000 | TUBO GOMA NEGRA Ø 17*10 | | 1 | | | | | | | |
| | Q881302000 | ABRAZADERA 12-20 | | 2 | | | | | | | |
| 7 | Z200707000 | SOPORTE DISTRIB. SUPERIOR | | 1 | | | | | | | |
| 8 | Z201106000 | RACORD EN Y | | 1 | | | | | | | |
| 9 | 3676900000 | TUBO GOMA NEGRA Ø 17*10 | | 1 | | | | | | | |
| | Q881302000 | ABRAZADERA 12-20 | | 2 | | | | | | | |
| 10 | Z200703000 | PASAMUROS | | 1 | | | | | | | |
| 11 | Z601157000 | TOMA PRESION | | 1 | | | | | | | |
| 12 | 3704000000 | TUBO GOMA NEGRO D 10,5*5 | | 1 | | | | | | | |
| | Q881308000 | ABRAZADERA 8-14L | | 2 | | | | | | | |
| 13 | Z651123000 | DOSIFICADOR TENSOACTIVO | | 1 | | | | | | | |
| 14 | Z203007000 | CASQUILLO | | 2 | | | | | | | |
| | Q041324000 | TORN. AVELLA. M4x25 H.ZINCADO | | 2 | | | | | | | |
| 15 | Z448614000 | CONDUCTO ASPIRACIÓN | | 1 | | | | | | | |
| 16 | Z701152000 | PESO FILTRO | | 1 | | | | | | | |
| 17 | 3676900000 | TUBO GOMA NEGRA Ø 17*10 | | 1 | | | | | | | |
| | Q881302000 | ABRAZADERA 12-20 | | 2 | | | | | | | |
| 18 | Q012063000 | TORNIL. EXAGONAL M10x20 A.304 | | 1 | | | | | | | |
| | Q307048000 | JUNTA TORICA Ø9.12X16.18X3.53 | | 1 | | | | | | | |
| | | | | | | | | | | | |
| | | | | | | | | | | | |



MOD. LAVAVAJILLAS DE APERTURA FRONTAL

ZONA

PARTE FUNCIONAL ACLARADO

PLANO

C-1836

| ITEM | CODIGO | DENOMINACION | TEXTO | FI-48 HY CLINIC | FI-48 B-BTUK | | | | | | | NOTAS |
|------|------------|------------------------------|-------|--------------------|--------------|--|--|--|--|--|--|-------|
| 1 | Z602121000 | MANGUERA ENTRADA AGUA | | 1 | 1 | | | | | | | |
| 2 | Z258903000 | CANO COMPLETO | | 1 | 1 | | | | | | | |
| | Q232040000 | ARANDELA A6 | | 1 | 1 | | | | | | | |
| | Q162040000 | TUERCA EXAGONAL M6 | | 1 | 1 | | | | | | | |
| 3 | Z258906000 | DEPÓSITO COMPLETO | | 1 | 1 | | | | | | | |
| 4 | Z258953000 | TAPA INTERIOR DEPOSITO | | 1 | 1 | | | | | | | |
| 5 | Z258955000 | CUBIERTA DEPÓSITO | | 1 | 1 | | | | | | | |
| | Q162040000 | TUERCA EXAGONAL M6 | | 1 | 1 | | | | | | | |
| | Q232040000 | ARANDELA A6 | | 1 | 1 | | | | | | | |
| 6 | R675007000 | JUNTA RETENCION VAPORES | | 1 | 1 | | | | | | | |
| 7 | Z258938000 | CUBIERTA PASAMUROS INTER. | | 1 | 1 | | | | | | | |
| | Q223014000 | CONTRATUERCA 1 LATON | | 1 | 1 | | | | | | | |
| 8 | Z258939000 | CUBIERTA PASAMUROS EXTER. | | 1 | 1 | | | | | | | |
| | Q222011000 | REMACHE EXAGONAL M5 INOX. | | 2 | 2 | | | | | | | |
| | Q152004000 | TORNIL, APLASTADO M5x13 A304 | | 2 | 2 | | | | | | | |
| 9 | Z257403000 | MANGUITO IMPULSIÓN | | 1 | 1 | | | | | | | |
| 10 | 3722600000 | TUBO EPDM 28.5 X 22 REFORZ. | | 1 | 1 | | | | | | | |
| 11 | 3715300000 | TUBO GOMA NEGRA Ø 14*24 | | 1 | 1 | | | | | | | |
| | Q881360000 | ABRAZADERA 16-27 | | 2 | 2 | | | | | | | |
| 12 | Z200707000 | SOPORTE DISTRIB. SUPERIOR | | 1 | 1 | | | | | | | |
| 13 | Z258934000 | CONEXIÓN T COMPLETA | | 1 | 1 | | | | | | | |
| 14 | 3715300000 | TUBO GOMA NEGRA Ø 14*24 | | 1 | 1 | | | | | | | |
| | Q881360000 | ABRAZADERA 16-27 | | 2 | 2 | | | | | | | |
| 15 | Z200703000 | PASAMUROS | | 1 | 1 | | | | | | | |
| 16 | Z258933000 | MANGUITO IMPULSIÓN | | 1 | 1 | | | | | | | |
| | Q881306000 | ABRAZADERA 32-50 L | | 4 | 4 | | | | | | | |
| 17 | Z258927000 | CONDENSADOR 3 µF | | 1 | 1 | | | | | | | |
| | | | | | | | | | | | | |
| | | | | | | | | | | | | |
| | | | | | | | | | | | | |

MOD. LAVAVAJILLAS DE APERTURA FRONTAL

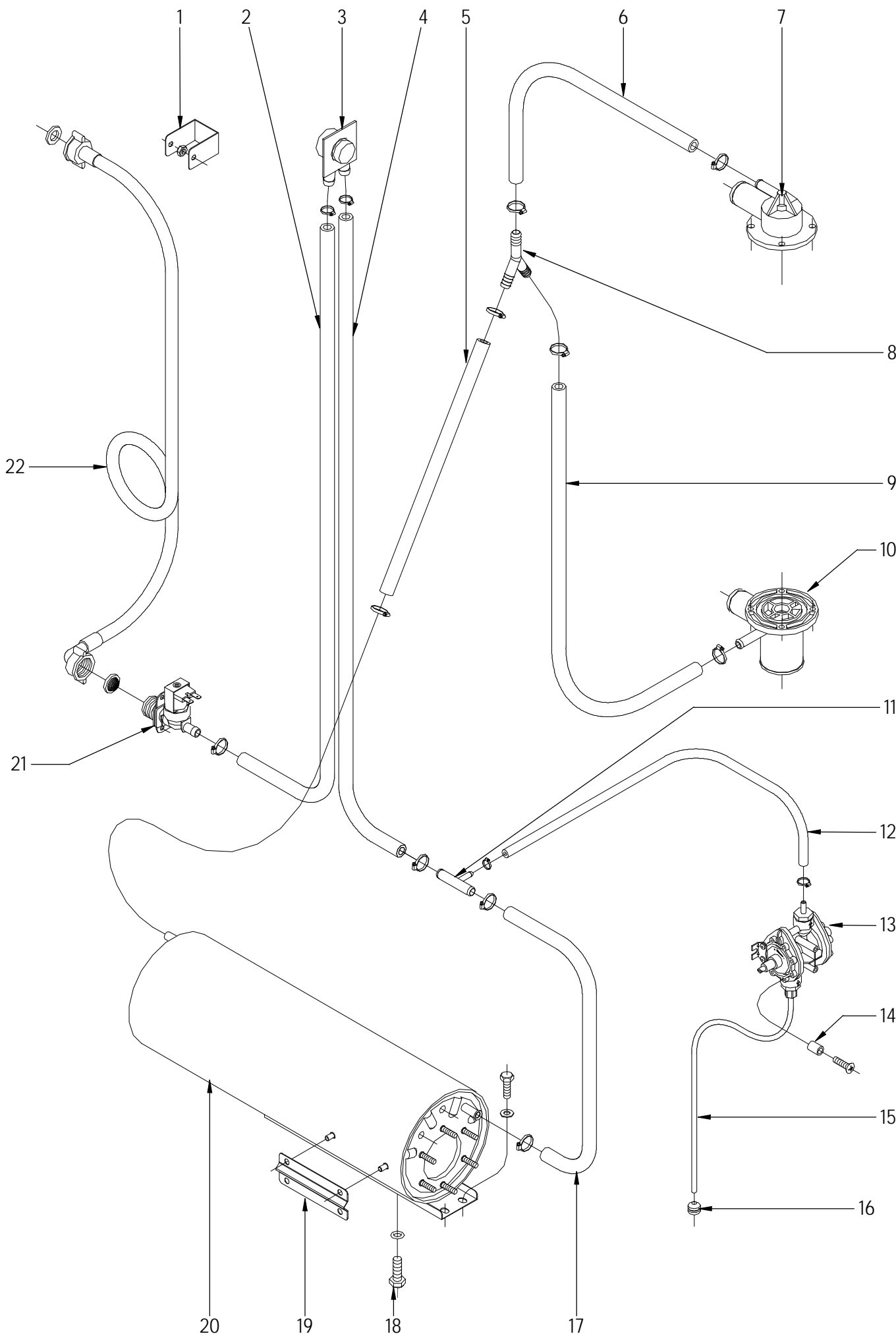
ZONA

PARTE FUNCIONAL ACLARADO

PLANO

C-1836

| ITEM | CODIGO | DENOMINACION | TEXTO | FI-48 HY CLINIC | FI-48 B-BTUK | | | | | | | NOTAS |
|------|------------|-------------------------------|-------|--------------------|--------------|--|--|--|--|--|--|-------|
| 18 | Z258929000 | SOPORTE M. BOMBA ACLARADO | | 1 | 1 | | | | | | | |
| | Q221342000 | REMACHE EXAGONAL M5 | | 4 | 4 | | | | | | | |
| | Q032035000 | TORNILLO ALOMADO M5x30 | | 2 | 2 | | | | | | | |
| | Q232030000 | ARANDELA A5 | | 2 | 2 | | | | | | | |
| | Q012031000 | TORNILLO EXAGONAL M5x10 | | 2 | 2 | | | | | | | |
| 19 | Z258926000 | MOTOBOMBA | | 1 | 1 | | | | | | | |
| 20 | Z258931000 | MANGUITO REDUCCIÓN | | 1 | 1 | | | | | | | |
| 21 | Z258925000 | MANGUITO CONEXIÓN | | 1 | 1 | | | | | | | |
| | Q881306000 | ABRAZADERA 32-50 L | | 2 | 2 | | | | | | | |
| 22 | Z258916000 | CALDERIN COMPLETO BBT | | 1 | 1 | | | | | | | |
| | Q012031000 | TORNIL. EXAGONAL M5x10 A.304 | | 2 | 2 | | | | | | | |
| | Q232030000 | ARANDELA A5 | | 2 | 2 | | | | | | | |
| 23 | 3676900000 | TUBO GOMA NEGRA Ø 17*10 | | 1 | 1 | | | | | | | |
| | Q881302000 | ABRAZADERA 12-20 | | 2 | 2 | | | | | | | |
| 24 | 3676900000 | TUBO GOMA NEGRA Ø 17*10 | | 1 | 1 | | | | | | | |
| | Q881302000 | ABRAZADERA 12-20 | | 2 | 2 | | | | | | | |
| 25 | Z203007000 | CASQUILLO | | 2 | 2 | | | | | | | |
| | Q041324000 | TORN. AVELLA. M4x25 H.ZINCADO | | 2 | 2 | | | | | | | |
| 26 | Z701152000 | PESO FILTRO | | 1 | 1 | | | | | | | |
| 27 | Z448614000 | CONDUCTO ASPIRACIÓN | | 1 | 1 | | | | | | | |
| 28 | Z651123000 | DOSIFICADOR TENSOACTIVO | | 1 | 1 | | | | | | | |
| 29 | 3704000000 | TUBO GOMA NEGRO D 10,5*5 | | 1 | 1 | | | | | | | |
| | Q881308000 | ABRAZADERA 8-14L | | 2 | 2 | | | | | | | |
| 30 | Z701135000 | ELECTR. SIMP.220V COD.255.208 | | 1 | 1 | | | | | | | |
| | Z601156000 | REGULADOR 8L RO. 254.034 | | 1 | 1 | | | | | | | |
| | Q152024000 | TORN. AVELLANADO M4x8 A.304 | | 2 | 2 | | | | | | | |
| 31 | Z601157000 | TOMA PRESION | | 1 | 1 | | | | | | | |
| 32 | 3676900000 | TUBO GOMA NEGRA Ø 17*10 | | 1 | 1 | | | | | | | |
| | Q881302000 | ABRAZADERA 12-20 | | 2 | 2 | | | | | | | |
| | | | | | | | | | | | | |
| | | | | | | | | | | | | |



| | | | | | | |
|---------|--------------------|---------|--------------------------------|--------------------------|--------|---------------------------------------|
| N plano | Firma | Fecha | Aparato | PARTE FUNCIONAL ACLARADO | Lamina | Fagor Industrial S.Coop. FAGOR |
| C-1837 | <i>[Signature]</i> | 2007-06 | LAVAVAJILLAS FI-48 W; FI-48 AR | 9 | Oñate | |

MOD. LAVAVAJILLAS DE APERTURA FRONTAL

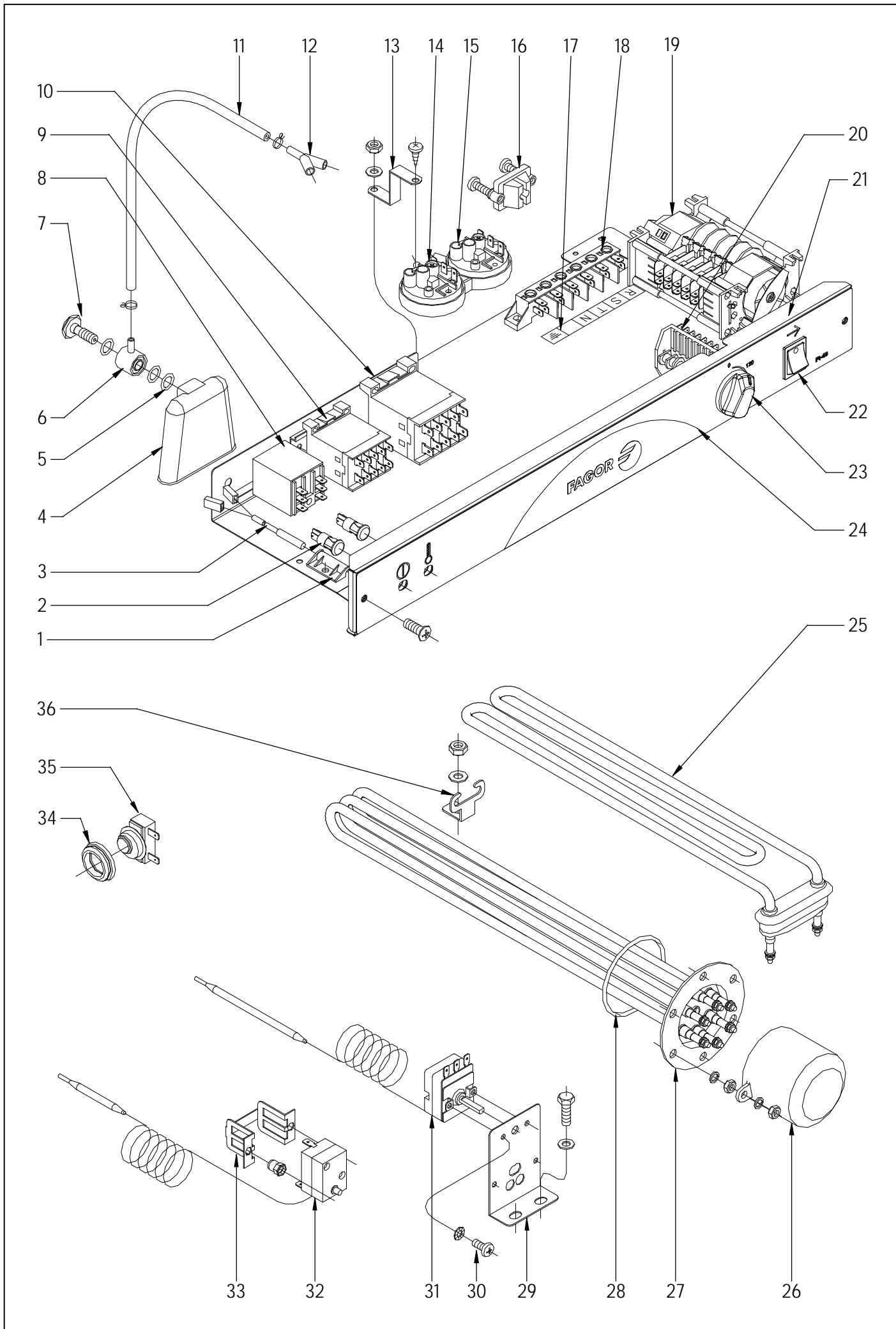
ZONA

PARTE FUNCIONAL ACLARADO

PLANO

C-1837

| ITEM | CODIGO | DENOMINACION | TEXTO | FI-48 W | FI-48 AR | | | | | | | NOTAS |
|------|------------|-------------------------------|-------|---------|----------|--|--|--|--|--|--|-------|
| 1 | R722631000 | FIJACION ALERON | | 1 | 1 | | | | | | | |
| | Q162040000 | TUERCA EXAGONAL M6 | | 1 | 1 | | | | | | | |
| 2 | 3676900000 | TUBO GOMA NEGRA Ø 17*10 | | 1 | 1 | | | | | | | |
| | Q881302000 | ABRAZADERA 12-20 | | 2 | 2 | | | | | | | |
| 3 | Z231106000 | VALVULA ANTIRRETORNO | | 1 | 1 | | | | | | | |
| 4 | 3676900000 | TUBO GOMA NEGRA Ø 17*10 | | 1 | 1 | | | | | | | |
| | Q881302000 | ABRAZADERA 12-20 | | 2 | 2 | | | | | | | |
| 5 | 3676900000 | TUBO GOMA NEGRA Ø 17*10 | | 1 | 1 | | | | | | | |
| | Q881302000 | ABRAZADERA 12-20 | | 2 | 2 | | | | | | | |
| 6 | 3676900000 | TUBO GOMA NEGRA Ø 17*10 | | 1 | 1 | | | | | | | |
| | Q881302000 | ABRAZADERA 12-20 | | 2 | 2 | | | | | | | |
| 7 | Z200707000 | SOPORTE DISTRIB. SUPERIOR | | 1 | 1 | | | | | | | |
| 8 | Z201106000 | RACORD EN Y | | 1 | 1 | | | | | | | |
| 9 | 3676900000 | TUBO GOMA NEGRA Ø 17*10 | | 1 | 1 | | | | | | | |
| | Q881302000 | ABRAZADERA 12-20 | | 2 | 2 | | | | | | | |
| 10 | Z200703000 | PASAMUROS | | 1 | 1 | | | | | | | |
| 11 | Z601157000 | TOMA PRESION | | 1 | 1 | | | | | | | |
| 12 | 3704000000 | TUBO GOMA NEGRO D 10,5*5 | | 1 | 1 | | | | | | | |
| | Q881308000 | ABRAZADERA 8-14L | | 2 | 2 | | | | | | | |
| 13 | Z651123000 | DOSIFICADOR TENSOACTIVO | | 1 | 1 | | | | | | | |
| 14 | Z203007000 | CASQUILLO | | 2 | 2 | | | | | | | |
| | Q041324000 | TORN. AVELLA. M4x25 H.ZINCADO | | 2 | 2 | | | | | | | |
| 15 | Z448614000 | CONDUCTO ASPIRACIÓN | | 1 | 1 | | | | | | | |
| 16 | Z701152000 | PESO FILTRO | | 1 | 1 | | | | | | | |
| 17 | 3676900000 | TUBO GOMA NEGRA Ø 17*10 | | 1 | 1 | | | | | | | |
| | Q881302000 | ABRAZADERA 12-20 | | 2 | 2 | | | | | | | |
| 18 | Q012063000 | TORNIL. EXAGONAL M10x20 A.304 | | 1 | 1 | | | | | | | |
| | Q307048000 | JUNTA TORICA Ø9.12X16.18X3.53 | | 1 | 1 | | | | | | | |
| | | | | | | | | | | | | |
| | | | | | | | | | | | | |
| | | | | | | | | | | | | |



| | | | | | | |
|---------|--------------------|---------|-----------------------------|---------------------------|--------|---------------------------------------|
| N plano | Firma | Fecha | Aparato | PARTE FUNCIONAL ELECTRICA | Lamina | Fagor Industrial S.Coop. FAGOR |
| C-1838 | <i>[Signature]</i> | 2007-06 | LAVAVAJILLAS FI-48; FI-48 B | | 10 | Oñate |

MOD. LAVAVAJILLAS DE APERTURA FRONTAL

ZONA

PARTE FUNCIONAL ELECTRICA

PLANO

C-1838

| ITEM | CODIGO | DENOMINACION | TEXTO | FI-48 | FI-48 B | | | | | | | NOTAS |
|------|------------|-------------------------------|-------|-------|---------|--|--|--|--|--|--|-------|
| 1 | Z203010000 | AMARRE INTERRUP. MAGNETICO | | 1 | 1 | | | | | | | |
| | Q152004000 | TORNIL, APLASTADO M5x13 A304 | | 1 | 1 | | | | | | | |
| | Q232030000 | ARANDELA A5 | | 1 | 1 | | | | | | | |
| | Q162030000 | TUERCA EXAGONAL M5 | | 1 | 1 | | | | | | | |
| 2 | R693056000 | PILOTO AMBAR 41227000A4 | | 2 | 2 | | | | | | | |
| 3 | Z203009000 | INTERRUPTOR MAGNETICO | | 1 | 1 | | | | | | | |
| 4 | Z203011000 | CAMARA PRESOSTATO | | 1 | 1 | | | | | | | |
| 5 | Q307003000 | JUNTA TORICA 16.01X10.77X2.62 | | 3 | 3 | | | | | | | |
| 6 | Z203012000 | EMPALME PRESOSTATO | | 1 | 1 | | | | | | | |
| 7 | Z203013000 | TORNILLO PRESOSTATO | | 1 | 1 | | | | | | | |
| 8 | Z203062000 | RELE 230V. 16A 50-60 HZ | | 1 | 1 | | | | | | | |
| 9 | Z213007000 | CONTACTOR 230 V. 50-60 HZ | | 1 | 1 | | | | | | | |
| 10 | Z203050000 | CONTAC. SIRIUS 3R 230V.50-60 | | 1 | 1 | | | | | | | |
| | Z123018000 | GUIA CONTACTOR L-55 | | 1 | 1 | | | | | | | |
| | Q419005000 | REMACHE 4X8 ALMG 3 / ALUMINIO | | 2 | 2 | | | | | | | |
| 11 | 3702400000 | TUBO GOMA NEGRO Ø 8*4 | | 1 | 1 | | | | | | | |
| | P102154000 | BRIDA ELASTICA TUBO | | 2 | 2 | | | | | | | |
| 12 | Z103077000 | RACORD EN Y | | - | 1 | | | | | | | |
| 13 | Z602923000 | SOPORTE PRESOSTATO | | 1 | 1 | | | | | | | |
| | Q082032000 | TORNILLO ALOMADO BZ-3,5X9,5 | | 1 | 1 | | | | | | | |
| | Q152004000 | TORNILLO APLASTADO M5x13 | | 1 | 1 | | | | | | | |
| | Q232030000 | ARANDELA A5 | | 1 | 1 | | | | | | | |
| | Q162030000 | TUERCA EXAGONAL M5 | | 1 | 1 | | | | | | | |
| 14 | Z203023000 | PRESOSTATO SIMPLE PVS | | 1 | 1 | | | | | | | |
| 15 | Z223005000 | PRESOSTATO SIMPLE P.V.S. | | - | 1 | | | | | | | |
| 16 | Z203020000 | RETENEDOR DE CABLE | | 1 | 1 | | | | | | | |
| 17 | Z213005000 | ROTULO ADHESIVO | | 1 | 1 | | | | | | | |
| 18 | R253044000 | REGLETA AUXILIAR FV-122 | | 1 | 1 | | | | | | | |
| | Q152004000 | TORNILLO APLASTADO M5x13 | | 2 | 2 | | | | | | | |
| | Q232030000 | ARANDELA A5 | | 2 | 2 | | | | | | | |
| | Q162030000 | TUERCA EXAGONAL M5 | | 2 | 2 | | | | | | | |

MOD. LAVAVAJILLAS DE APERTURA FRONTAL

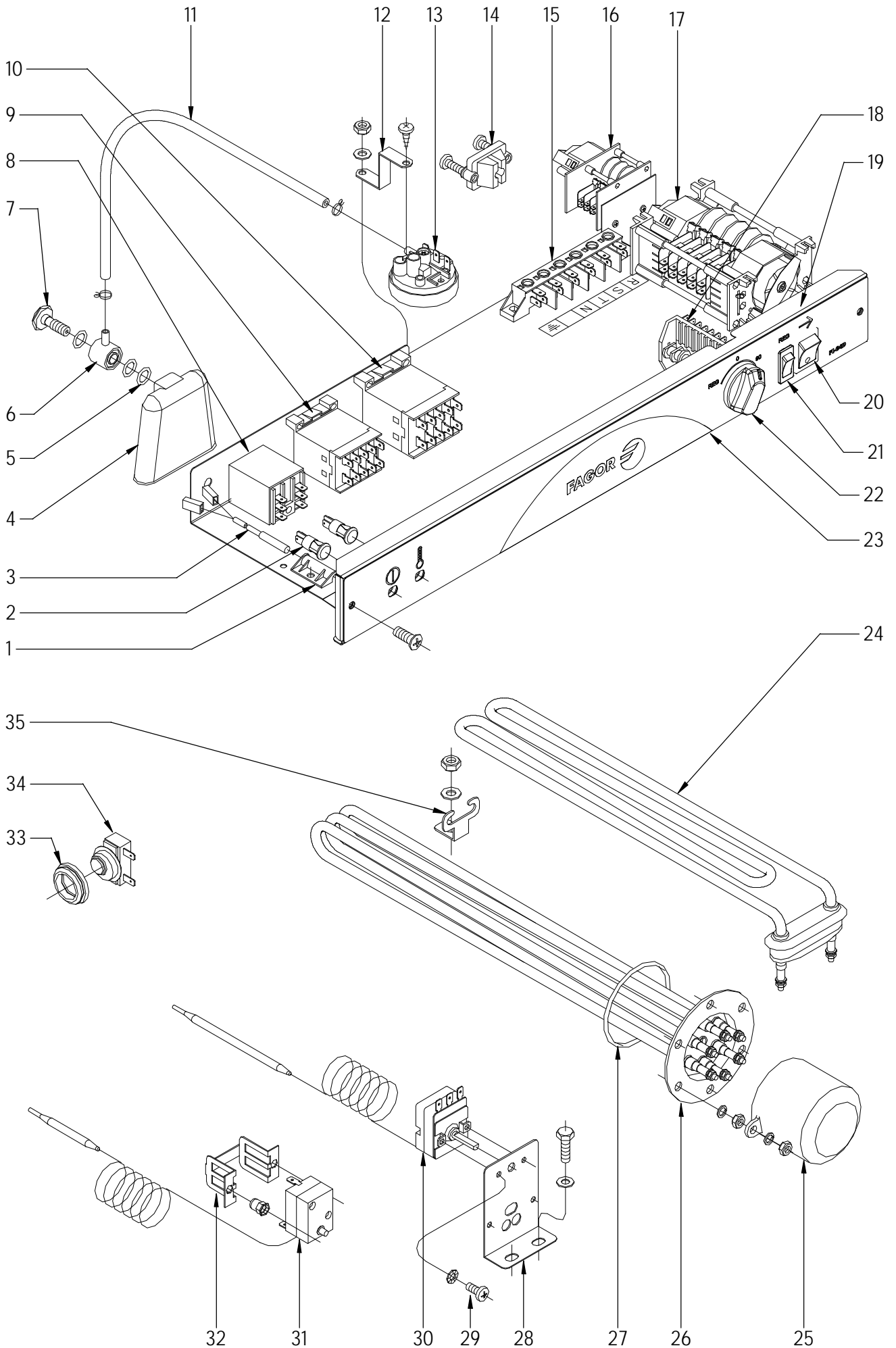
ZONA

PARTE FUNCIONAL ELECTRICA

PLANO

C-1838

| ITEM | CODIGO | DENOMINACION | TEXTO | FI-48 | FI-48 B | | | | | | | NOTAS |
|------|------------|-------------------------------|-------|-------|---------|--|--|--|--|--|--|-------|
| 19 | Z213008000 | PROGRAMADOR CICLO | | 1 | 1 | | | | | | | |
| | Q032021000 | TORNILLO ALOMADO M4x10 | | 2 | 2 | | | | | | | |
| | Q162020000 | TUERCA EXAGONAL M4 | | 2 | 2 | | | | | | | |
| | Z203007000 | CASQUILLO | | 2 | 2 | | | | | | | |
| | Q041324000 | TORN. AVELLA. M4x25 H.ZINCADO | | 2 | 2 | | | | | | | |
| 20 | Z213003000 | CONMUTADOR DE FUNCIONES | | 1 | - | | | | | | | |
| 20 | Z223001000 | CONMUTADOR DE FUNCIONES | | - | 1 | | | | | | | |
| 21 | Z202918000 | FRENTE COMPLETO | | 1 | 1 | | | | | | | |
| | Q152004000 | TORNILLO APLASTADO M5x13 | | 2 | 2 | | | | | | | |
| | 3713500000 | PERFIL CUBREARISTAS PLASTICO | | 1 | 1 | | | | | | | |
| 22 | Z203080000 | PULSADOR MARCHA NEGRO | | 1 | 1 | | | | | | | |
| 23 | Z203069000 | BOTON DE MANDO | | 1 | 1 | | | | | | | |
| 24 | Z212912000 | EMBELLECEDOR ADHESIVO FI-48 | | 1 | - | | | | | | | |
| 24 | Z222903000 | EMBELLECEDOR ADHES. FI-48 B | | - | 1 | | | | | | | |
| | Q152024000 | TORNIL. AVELLANADO M4X8 A304 | | 2 | 2 | | | | | | | |
| 25 | Z203601000 | RESISTENCIA TANQUE | | 1 | 1 | | | | | | | |
| 26 | Z651731000 | CAPERUZA RESISTEN. CALDERIN | | 1 | 1 | | | | | | | |
| | Q163140000 | TUERCA EXAGONAL M6 LATON | | 2 | 2 | | | | | | | |
| | Q012031000 | TORNIL. EXAGONAL M5x10 A.304 | | 2 | 2 | | | | | | | |
| | Q232030000 | ARANDELA A5 | | 2 | 2 | | | | | | | |
| 27 | Z201706000 | RESISTENCIA CALDERIN | | 1 | 1 | | | | | | | |
| | Q221305000 | TUERCA EX.AUTO M4 ZINCADA | | 2 | 2 | | | | | | | |
| | Q163140000 | TUERCA EXAGONAL M6 LATON | | 6 | 6 | | | | | | | |
| | Q262040000 | ARANDELA GROW. A6 A.304 | | 6 | 6 | | | | | | | |
| 28 | Q307035000 | JUNTA TORICA AN-36 282333 | | 1 | 1 | | | | | | | |
| 29 | Z203047000 | SOPORTE TERMOSTATOS | | 1 | 1 | | | | | | | |
| | Q012031000 | TORNIL. EXAGONAL M5X10 A.304 | | 2 | 2 | | | | | | | |
| | Q232030000 | ARANDELA A5 | | 2 | 2 | | | | | | | |
| | | | | | | | | | | | | |
| | | | | | | | | | | | | |
| | | | | | | | | | | | | |



| | | | | | | |
|---------|--------------------|---------|--------------------|---------------------------|--------|---------------------------------------|
| N plano | Firma | Fecha | Aparato | PARTE FUNCIONAL ELECTRICA | Lamina | Fagor Industrial S.Coop. FAGOR |
| C-1839 | <i>[Signature]</i> | 2007-06 | LAVAVAJILLAS FI-4D | | 11 | Onote |

MOD. LAVAVAJILLAS DE APERTURA FRONTAL

ZONA

PARTE FUNCIONAL ELECTRICA

PLANO

C-1839

| ITEM | CODIGO | DENOMINACION | TEXTO | FI-48 D | | | | | | | NOTAS |
|------|------------|-------------------------------|-------|---------|--|--|--|--|--|--|-------|
| 1 | Z203010000 | AMARRE INTERRUP. MAGNETICO | | 1 | | | | | | | |
| | Q152004000 | TORNIL, APLASTADO M5x13 A304 | | 1 | | | | | | | |
| | Q232030000 | ARANDELA A5 | | 1 | | | | | | | |
| | Q162030000 | TUERCA EXAGONAL M5 | | 1 | | | | | | | |
| 2 | R693056000 | PILOTO AMBAR 41227000A4 | | 2 | | | | | | | |
| 3 | Z203009000 | INTERRUPTOR MAGNETICO | | 1 | | | | | | | |
| 4 | Z203011000 | CAMARA PRESOSTATO | | 1 | | | | | | | |
| 5 | Q307003000 | JUNTA TORICA 16.01X10.77X2.62 | | 3 | | | | | | | |
| 6 | Z203012000 | EMPALME PRESOSTATO | | 1 | | | | | | | |
| 7 | Z203013000 | TORNILLO PRESOSTATO | | 1 | | | | | | | |
| 8 | Z203062000 | RELE 230V. 16A 50-60 HZ | | 1 | | | | | | | |
| 9 | Z213007000 | CONTACTOR 230 V. 50-60 HZ | | 1 | | | | | | | |
| 10 | Z203050000 | CONTAC. SIRIUS 3R 230V.50-60 | | 1 | | | | | | | |
| | Z123018000 | GUIA CONTACTOR L-55 | | 1 | | | | | | | |
| | Q419005000 | REMACHE 4X8 ALMG 3 / ALUMINIO | | 2 | | | | | | | |
| 11 | 3702400000 | TUBO GOMA NEGRO Ø 8*4 | | 1 | | | | | | | |
| | P102154000 | BRIDA ELASTICA TUBO | | 2 | | | | | | | |
| 12 | Z602923000 | SOPORTE PRESOSTATO | | 1 | | | | | | | |
| | Q082032000 | TORNILLO ALOMADO BZ-3,5X9,5 | | 1 | | | | | | | |
| | Q152004000 | TORNILLO APLASTADO M5x13 | | 1 | | | | | | | |
| | Q232030000 | ARANDELA A5 | | 1 | | | | | | | |
| | Q162030000 | TUERCA EXAGONAL M5 | | 1 | | | | | | | |
| 13 | Z203023000 | PRESOSTATO SIMPLE PVS | | 1 | | | | | | | |
| 14 | Z203020000 | RETENEDOR DE CABLE | | 1 | | | | | | | |
| 15 | R253044000 | REGLETA AUXILIAR FV-122 | | 1 | | | | | | | |
| | Z213005000 | ROTULO ADHESIVO | | 1 | | | | | | | |
| | Q152004000 | TORNILLO APLASTADO M5x13 | | 2 | | | | | | | |
| | Q232030000 | ARANDELA A5 | | 2 | | | | | | | |
| | Q162030000 | TUERCA EXAGONAL M5 | | 2 | | | | | | | |
| 16 | Z613003000 | PROGRAMADOR REGENERACION | | 1 | | | | | | | |
| | Q032021000 | TORNILLO ALOMADO M4x10 | | 2 | | | | | | | |

MOD. LAVAVAJILLAS DE APERTURA FRONTAL

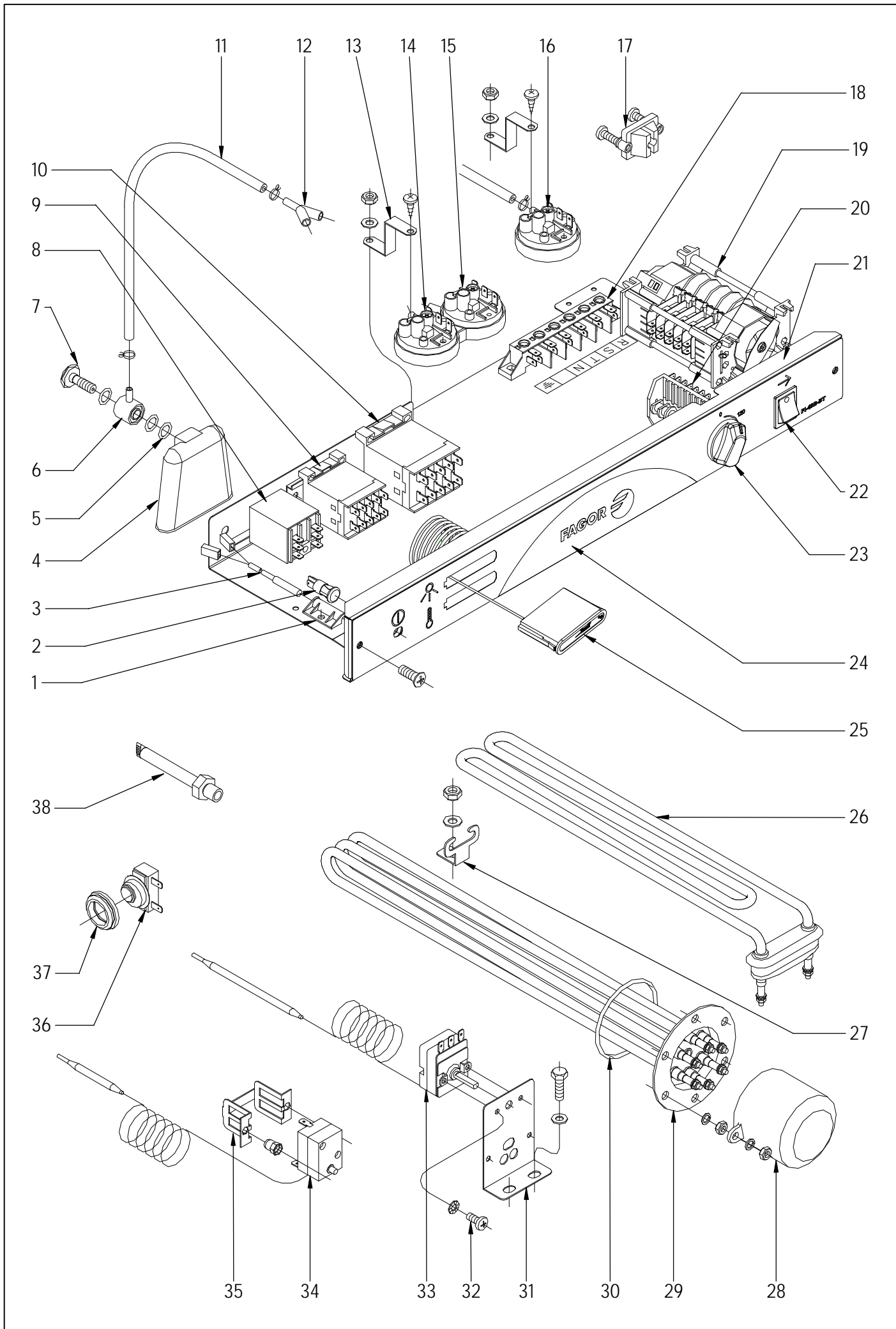
ZONA

PARTE FUNCIONAL ELECTRICA

PLANO

C-1839

| ITEM | CODIGO | DENOMINACION | TEXTO | FI-48 D | | | | | | | NOTAS |
|------|------------|-------------------------------|-------|---------|--|--|--|--|--|--|-------|
| 17 | Z213008000 | PROGRAMADOR CICLO | | 1 | | | | | | | |
| | Q032021000 | TORNILLO ALOMADO M4x10 | | 2 | | | | | | | |
| | Q162020000 | TUERCA EXAGONAL M4 | | 2 | | | | | | | |
| | Z203007000 | CASQUILLO | | 2 | | | | | | | |
| | Q041324000 | TORN. AVELLA. M4x25 H.ZINCADO | | 2 | | | | | | | |
| 18 | Z223001000 | CONMUTADOR DE FUNCIONES | | 1 | | | | | | | |
| 19 | Z202918000 | FRENTE COMPLETO | | 1 | | | | | | | |
| | Q152004000 | TORNILLO APLASTADO M5x13 | | 2 | | | | | | | |
| | 3713500000 | PERFIL CUBREARISTAS PLASTICO | | 1 | | | | | | | |
| 20 | Z203080000 | PULSADOR MARCHA NEGRO | | 1 | | | | | | | |
| 21 | Z203070000 | PULSADOR NEGRO | | 1 | | | | | | | |
| 22 | Z203069000 | BOTON DE MANDO | | 1 | | | | | | | |
| 23 | Z212914000 | EMBELLECEDOR ADHESIVO FI-48D | | 1 | | | | | | | |
| | Q152024000 | TORNIL. AVELLANADO M4X8 A304 | | 2 | | | | | | | |
| 24 | Z203601000 | RESISTENCIA TANQUE | | 1 | | | | | | | |
| 25 | Z651731000 | CAPERUZA RESISTEN. CALDERIN | | 1 | | | | | | | |
| | Q163140000 | TUERCA EXAGONAL M6 LATON | | 2 | | | | | | | |
| | Q012031000 | TORNIL. EXAGONAL M5x10 A.304 | | 2 | | | | | | | |
| | Q232030000 | ARANDELA A5 | | 2 | | | | | | | |
| 26 | Z201706000 | RESISTENCIA CALDERIN | | 1 | | | | | | | |
| | Q221305000 | TUERCA EX.AUTO M4 ZINCADA | | 2 | | | | | | | |
| | Q163140000 | TUERCA EXAGONAL M6 LATON | | 6 | | | | | | | |
| | Q262040000 | ARANDELA GROW. A6 A.304 | | 6 | | | | | | | |
| 27 | Q307035000 | JUNTA TORICA AN-36 282333 | | 1 | | | | | | | |
| 28 | Z203047000 | SOPORTE TERMOSTATOS | | 1 | | | | | | | |
| | Q012031000 | TORNIL. EXAGONAL M5X10 A.304 | | 2 | | | | | | | |
| | Q232030000 | ARANDELA A5 | | 2 | | | | | | | |
| 29 | Q152024000 | TORNIL. AVELLANADO M4X8 A304 | | 2 | | | | | | | |
| 30 | Z203014000 | TERMOSTATO CALDERIN | | 1 | | | | | | | |
| 31 | Z213014000 | LIMITADOR TECASA P. | | 1 | | | | | | | |



| | | | | | | |
|---------|--------------------|---------|-------------------------------|---------------------------|--------|---------------------------------------|
| N plano | Firma | Fecha | Aparato | PARTE FUNCIONAL ELECTRICA | Lamina | Fagor Industrial S.Coop. FAGOR |
| C-1840 | <i>[Signature]</i> | 2007-06 | LAVAVAJ. FI-48 CLINIC; B-BTUK | | 12 | Onote |

MOD. LAVAVAJILLAS DE APERTURA FRONTAL

ZONA

PARTE FUNCIONAL ELECTRICA

PLANO

C-1840

| ITEM | CODIGO | DENOMINACION | TEXTO | FI-48 HY CLINIC | FI-48 B-BTUK | | | | | | | NOTAS |
|------|------------|-------------------------------|-------|--------------------|--------------|--|--|--|--|--|--|-------|
| 1 | Z203010000 | AMARRE INTERRUP. MAGNETICO | | 1 | 1 | | | | | | | |
| | Q152004000 | TORNIL, APLASTADO M5x13 A304 | | 1 | 1 | | | | | | | |
| | Q232030000 | ARANDELA A5 | | 1 | 1 | | | | | | | |
| | Q162030000 | TUERCA EXAGONAL M5 | | 1 | 1 | | | | | | | |
| 2 | R693056000 | PILOTO AMBAR 41227000A4 | | 1 | 1 | | | | | | | |
| 3 | Z203009000 | INTERRUPTOR MAGNETICO | | 1 | 1 | | | | | | | |
| 4 | Z203011000 | CAMARA PRESOSTATO | | 1 | 1 | | | | | | | |
| 5 | Q307003000 | JUNTA TORICA 16.01X10.77X2.62 | | 3 | 3 | | | | | | | |
| 6 | Z203012000 | EMPALME PRESOSTATO | | 1 | 1 | | | | | | | |
| 7 | Z203013000 | TORNILLO PRESOSTATO | | 1 | 1 | | | | | | | |
| 8 | Z203062000 | RELE 230V. 16A 50-60 HZ | | 1 | 1 | | | | | | | |
| 9 | Z213007000 | CONTACTOR 230 V. 50-60 HZ | | 1 | 1 | | | | | | | |
| 10 | Z743009000 | CONTAC. SIRIUS 3RT10 16-2AP02 | | 1 | 1 | | | | | | | |
| | Z123018000 | GUIA CONTACTOR L-55 | | 1 | 1 | | | | | | | |
| | Q419005000 | REMACHE 4X8 ALMG 3 / ALUMINIO | | 2 | 2 | | | | | | | |
| 11 | 3702400000 | TUBO GOMA NEGRO Ø 8*4 | | 1 | 1 | | | | | | | |
| | P102154000 | BRIDA ELASTICA TUBO | | 2 | 2 | | | | | | | |
| 12 | Z103077000 | RACORD EN Y | | 1 | 1 | | | | | | | |
| 13 | Z602923000 | SOPORTE PRESOSTATO | | 2 | 2 | | | | | | | |
| | Q082032000 | TORNILLO ALOMADO BZ-3,5X9,5 | | 2 | 2 | | | | | | | |
| | Q152004000 | TORNILLO APLASTADO M5x13 | | 2 | 2 | | | | | | | |
| | Q232030000 | ARANDELA A5 | | 2 | 2 | | | | | | | |
| | Q162030000 | TUERCA EXAGONAL M5 | | 2 | 2 | | | | | | | |
| 14 | Z203023000 | PRESOSTATO SIMPLE PVS | | 1 | 1 | | | | | | | |
| 15 | Z223005000 | PRESOSTATO SIMPLE P.V.S. | | 1 | 1 | | | | | | | |
| 16 | Z213059000 | TRIPLE PRESOSTATO 40-120-150 | | 1 | 1 | | | | | | | |
| | Q232040000 | ARANDELA A6 | | 1 | 1 | | | | | | | |
| | Q162040000 | TUERCA EXAGONAL M6 | | 1 | 1 | | | | | | | |
| 17 | Z203020000 | RETENEDOR DE CABLE | | 1 | 1 | | | | | | | |
| | | | | | | | | | | | | |
| | | | | | | | | | | | | |

MOD. LAVAVAJILLAS DE APERTURA FRONTAL

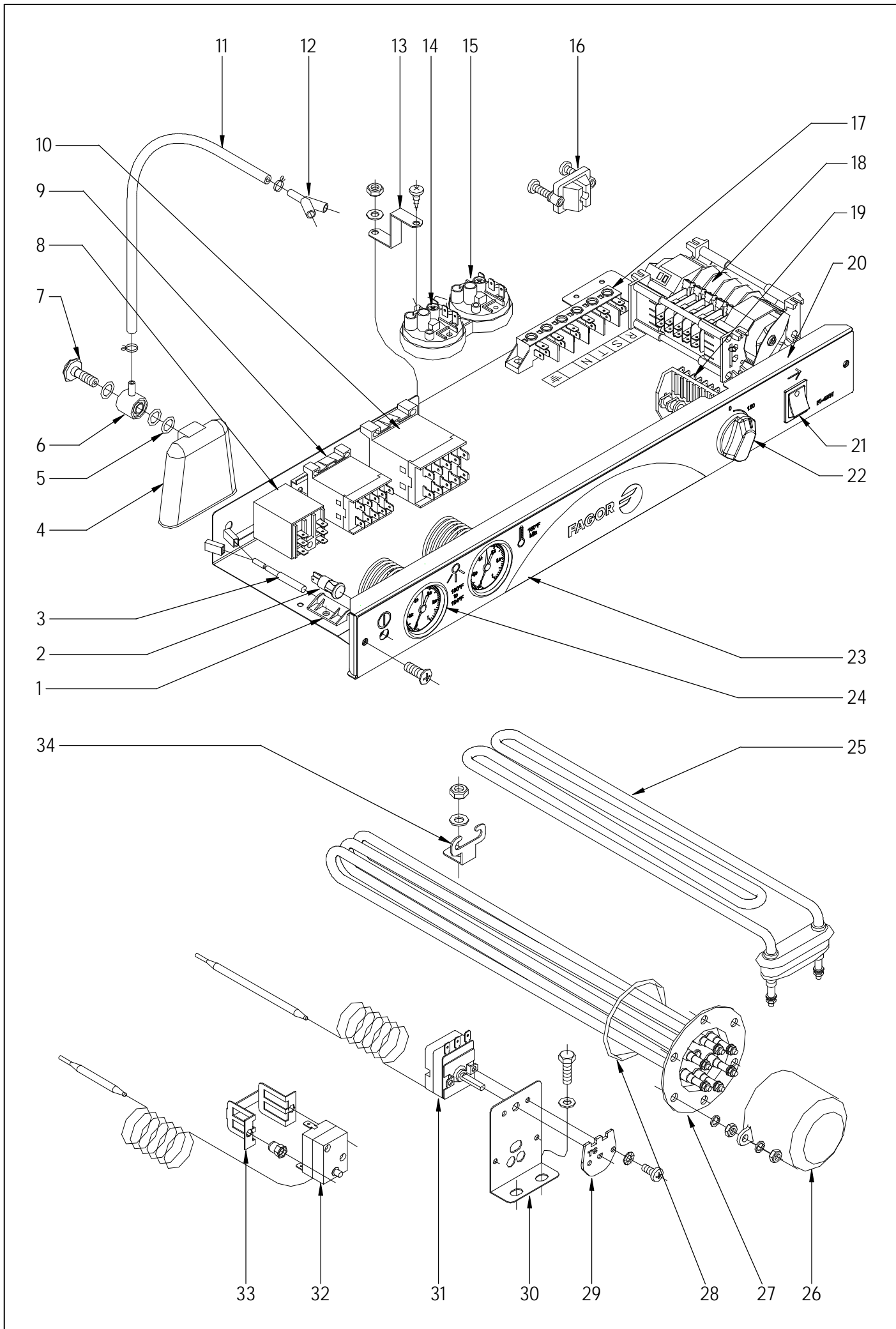
ZONA

PARTE FUNCIONAL ELECTRICA

PLANO

C-1840

| ITEM | CODIGO | DENOMINACION | TEXTO | FI-48 HY CLINIC | FI-48 B-BTUK | | | | | | | NOTAS |
|------|------------|--------------------------------|-------|--------------------|--------------|--|--|--|--|--|--|-------|
| 18 | R253044000 | REGLETA AUXILIAR FV-122 | | 1 | 1 | | | | | | | |
| | Z213005000 | ROTULO ADHESIVO | | 1 | 1 | | | | | | | |
| | Q152004000 | TORNILLO APLASTADO M5x13 | | 2 | 2 | | | | | | | |
| | Q232030000 | ARANDELA A5 | | 2 | 2 | | | | | | | |
| | Q162030000 | TUERCA EXAGONAL M5 | | 2 | 2 | | | | | | | |
| 19 | Z213002000 | PROGRAMADOR CICLO | | 1 | 1 | | | | | | | |
| | Q032021000 | TORNILLO ALOMADO M4x10 | | 2 | 2 | | | | | | | |
| | Q162020000 | TUERCA EXAGONAL M4 | | 2 | 2 | | | | | | | |
| | Z203007000 | CASQUILLO | | 2 | 2 | | | | | | | |
| | Q041324000 | TORN. AVELLA. M4x25 H.ZINCADO | | 2 | 2 | | | | | | | |
| 20 | Z223001000 | CONMUTADOR DE FUNCIONES | | 1 | 1 | | | | | | | |
| 21 | Z202918000 | FRENTE COMPLETO | | 1 | 1 | | | | | | | |
| | Q152004000 | TORNILLO APLASTADO M5x13 | | 2 | 2 | | | | | | | |
| | 3713500000 | PERFIL CUBREARISTAS PLASTICO | | 1 | 1 | | | | | | | |
| 22 | Z203080000 | PULSADOR MARCHA NEGRO | | 1 | 1 | | | | | | | |
| 23 | Z203069000 | BOTON DE MANDO | | 1 | 1 | | | | | | | |
| 24 | Z227415000 | EMBELLE. ADHESIVO FI-48 CLINIC | | 1 | - | | | | | | | |
| 24 | Z228914000 | EMBELLEC. ADHESIVO FI-48 B-BT | | - | 1 | | | | | | | |
| | Q152024000 | TORNIL. AVELLANADO M4X8 A304 | | 2 | 2 | | | | | | | |
| 25 | Z203072000 | INDICADOR ANALOGICO | | 2 | 2 | | | | | | | |
| 26 | Z203601000 | RESISTENCIA TANQUE | | 1 | 1 | | | | | | | |
| 27 | Z603602000 | SOPORTE RESISTENCIA TANQUE | | 1 | 1 | | | | | | | |
| | Q232040000 | ARANDELA A6 | | 1 | 1 | | | | | | | |
| | Q162040000 | TUERCA EXAGONAL M6 | | 1 | 1 | | | | | | | |
| 28 | Z651731000 | CAPERUZA RESISTEN. CALDERIN | | 1 | 1 | | | | | | | |
| | Q163140000 | TUERCA EXAGONAL M6 LATON | | 2 | 2 | | | | | | | |
| | Q012031000 | TORNIL. EXAGONAL M5x10 A.304 | | 2 | 2 | | | | | | | |
| | Q232030000 | ARANDELA A5 | | 2 | 2 | | | | | | | |
| | Q012063000 | TORNIL. EXAGONAL M10x20 A.304 | | 2 | 2 | | | | | | | |
| | | | | | | | | | | | | |
| | | | | | | | | | | | | |



| | | | | | | |
|---------|--------------------|---------|--------------|---------------------------|--------|---------------------------------------|
| N plano | Firma | Fecha | Aparato | PARTE FUNCIONAL ELECTRICA | Lamina | Fagor Industrial S.Coop. FAGOR |
| C-1841 | <i>[Signature]</i> | 2007-06 | LAVAVAJILLAS | FI-48W | 13 | Oñate |

MOD. LAVAVAJILLAS DE APERTURA FRONTAL

ZONA

PARTE FUNCIONAL ELECTRICA

PLANO

C-1841

| ITEM | CODIGO | DENOMINACION | TEXTO | FI-48 W | | | | | | | NOTAS |
|------|------------|-------------------------------|-------|---------|--|--|--|--|--|--|-------|
| 1 | Z203010000 | AMARRE INTERRUP. MAGNETICO | | 1 | | | | | | | |
| | Q152004000 | TORNIL, APLASTADO M5x13 A304 | | 1 | | | | | | | |
| | Q232030000 | ARANDELA A5 | | 1 | | | | | | | |
| | Q162030000 | TUERCA EXAGONAL M5 | | 1 | | | | | | | |
| 2 | R693056000 | PILOTO AMBAR 41227000A4 | | 1 | | | | | | | |
| 3 | Z203009000 | INTERRUPTOR MAGNETICO | | 1 | | | | | | | |
| 4 | Z203011000 | CAMARA PRESOSTATO | | 1 | | | | | | | |
| 5 | Q307003000 | JUNTA TORICA 16.01X10.77X2.62 | | 3 | | | | | | | |
| 6 | Z203012000 | EMPALME PRESOSTATO | | 1 | | | | | | | |
| 7 | Z203013000 | TORNILLO PRESOSTATO | | 1 | | | | | | | |
| 8 | Z203062000 | RELE 230V. 16A 50-60 HZ | | 1 | | | | | | | |
| 9 | Z213007000 | CONTACTOR 230 V. 50-60 HZ | | 1 | | | | | | | |
| | Z123018000 | GUIA CONTACTOR L-55 | | 1 | | | | | | | |
| | Q419005000 | REMACHE 4X8 ALMG 3 / ALUMINIO | | 2 | | | | | | | |
| | Q152004000 | TORNIL, APLASTADO M5x13 A304 | | 2 | | | | | | | |
| 10 | Z743009000 | CONTAC. SIRIUS 3RT10 16-2AP02 | | 1 | | | | | | | |
| 11 | 3702400000 | TUBO GOMA NEGRO Ø 8*4 | | 1 | | | | | | | |
| | P102154000 | BRIDA ELASTICA TUBO | | 2 | | | | | | | |
| 12 | Z103077000 | RACORD EN Y | | 1 | | | | | | | |
| 13 | Z602923000 | SOPORTE PRESOSTATO | | 1 | | | | | | | |
| | Q082032000 | TORNILLO ALOMADO BZ-3,5X9,5 | | 1 | | | | | | | |
| | Q152004000 | TORNILLO APLASTADO M5x13 | | 1 | | | | | | | |
| | Q232030000 | ARANDELA A5 | | 1 | | | | | | | |
| | Q162030000 | TUERCA EXAGONAL M5 | | 1 | | | | | | | |
| 14 | Z203023000 | PRESOSTATO SIMPLE PVS | | 1 | | | | | | | |
| 15 | Z223005000 | PRESOSTATO SIMPLE P.V.S. | | 1 | | | | | | | |
| 16 | Z203020000 | RETENEDOR DE CABLE | | 1 | | | | | | | |
| | | | | | | | | | | | |
| | | | | | | | | | | | |
| | | | | | | | | | | | |
| | | | | | | | | | | | |

MOD. LAVAVAJILLAS DE APERTURA FRONTAL

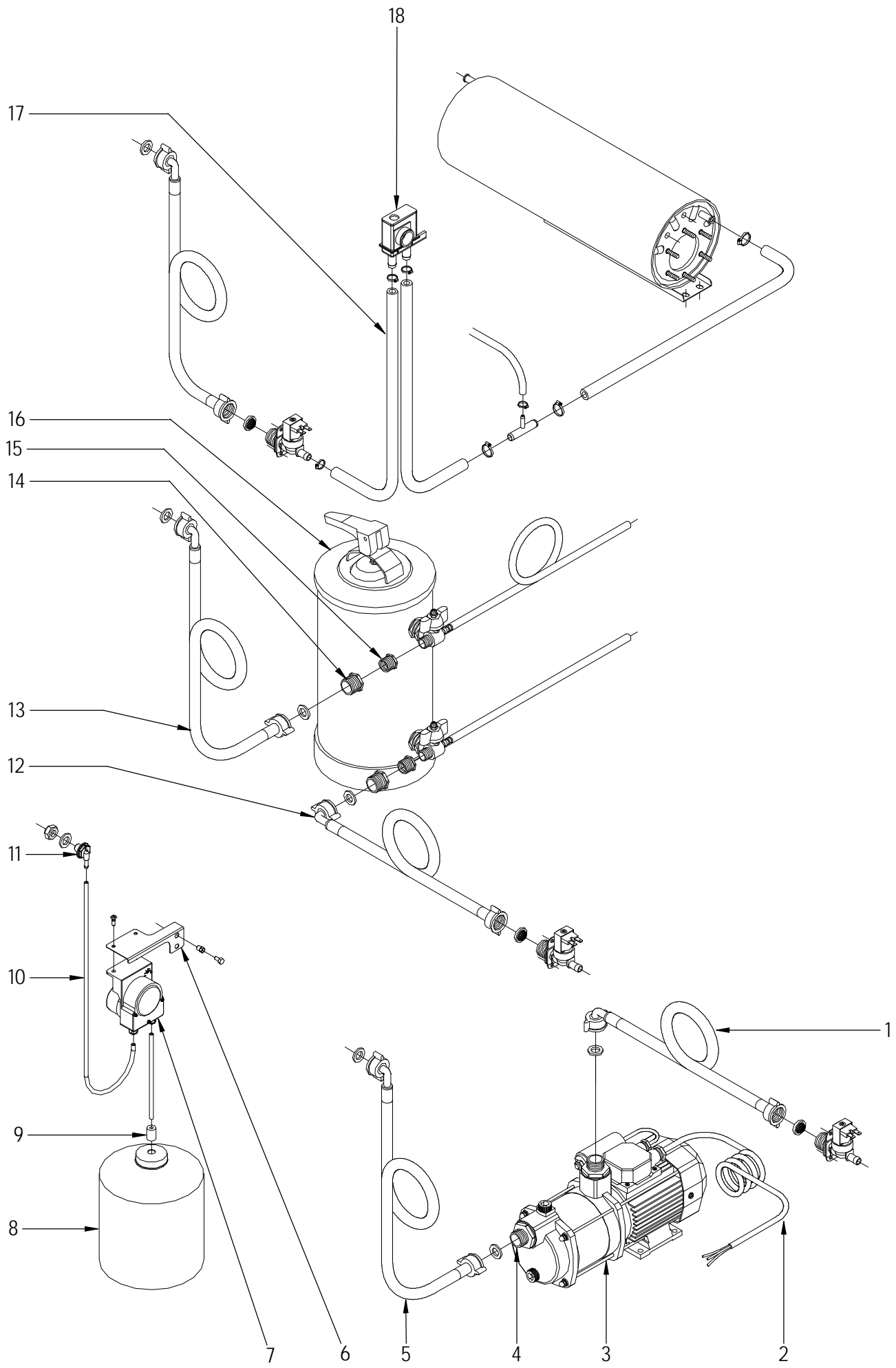
ZONA

PARTE FUNCIONAL ELECTRICA

PLANO

C-1841

| ITEM | CODIGO | DENOMINACION | TEXTO | FI-48 W | | | | | | | NOTAS |
|------|------------|-------------------------------|-------|---------|--|--|--|--|--|--|-------|
| 17 | R253044000 | REGLETA AUXILIAR FV-122 | | 1 | | | | | | | |
| | Z213005000 | ROTULO ADHESIVO | | 1 | | | | | | | |
| | Q152004000 | TORNILLO APLASTADO M5x13 | | 2 | | | | | | | |
| | Q232030000 | ARANDELA A5 | | 2 | | | | | | | |
| | Q162030000 | TUERCA EXAGONAL M5 | | 2 | | | | | | | |
| 18 | Z22841200 | PROGRAMADOR 60HZ.T.STOP | | 1 | | | | | | | |
| 19 | Z223001000 | CONMUTADOR DE FUNCIONES | | 1 | | | | | | | |
| | Z203007000 | CASQUILLO | | 2 | | | | | | | |
| | Q041324000 | TORN. AVELLA. M4x25 H.ZINCADO | | 2 | | | | | | | |
| 20 | Z208908000 | FRENTE COMPLETO AF W | | 1 | | | | | | | |
| | Q152004000 | TORNILLO APLASTADO M5x13 | | 2 | | | | | | | |
| | 3713500000 | PERFIL CUBREARISTAS PLASTICO | | 1 | | | | | | | |
| 21 | Z203080000 | PULSADOR MARCHA NEGRO | | 1 | | | | | | | |
| | Q032021000 | TORNILLO ALOMADO M4x10 | | 2 | | | | | | | |
| | Q162020000 | TUERCA EXAGONAL M4 | | 2 | | | | | | | |
| 22 | Z203069000 | BOTON DE MANDO | | 1 | | | | | | | |
| 23 | Z218901000 | EMBELLECEDOR ADHES. FI-48 W | | 1 | | | | | | | |
| | Q152024000 | TORNIL. AVELLANADO M4X8 A304 | | 2 | | | | | | | |
| 24 | Z273060000 | TERMOMETRO W NSF | | 2 | | | | | | | |
| 25 | Z203601000 | RESISTENCIA TANQUE | | 1 | | | | | | | |
| 26 | Z651731000 | CAPERUZA RESISTEN. CALDERIN | | 1 | | | | | | | |
| | Q163140000 | TUERCA EXAGONAL M6 LATON | | 2 | | | | | | | |
| | Q012031000 | TORNIL. EXAGONAL M5x10 A.304 | | 2 | | | | | | | |
| | Q232030000 | ARANDELA A5 | | 2 | | | | | | | |
| 27 | Z201720000 | RESISTENCIA W CALDERIN | | 1 | | | | | | | |
| | Q221305000 | TUERCA EX.AUTO M4 ZINCADA | | 2 | | | | | | | |
| | Q163140000 | TUERCA EXAGONAL M6 LATON | | 6 | | | | | | | |
| | Q262040000 | ARANDELA GROW. A6 A.304 | | 6 | | | | | | | |
| 28 | Q307035000 | JUNTA TORICA AN-36 282333 | | 1 | | | | | | | |
| 29 | Z208438000 | CHAPA W TC 90°C | | 1 | | | | | | | |



| | | | | | | |
|---------|--------------------|---------|--------------------|------------|--------|---------------------------------------|
| N plano | Firma | Fecha | Aparato | ACCESORIOS | Lamina | Fagor Industrial S.Coop. FAGOR |
| C-1842 | <i>[Signature]</i> | 2007-06 | LAVAVAJILLAS FI-48 | | 14 | Oñate |

| MOD. | | LAVAVAJILLAS DE APERTURA FRONTAL | | ZONA | VARIOS | | | | | PLANO | |
|------|------------|----------------------------------|-------|-------|---------|---------|-----------------|--------------|---------|-------|----------------|
| ITEM | CODIGO | DENOMINACION | TEXTO | FI-48 | FI-48 B | FI-48 D | FI-48 HY CLINIC | FI-48 B-BTUK | FI-48 W | | NOTAS |
| | Z206131000 | FOLLETO DE INSTRUCCIONES | | 1 | 1 | 1 | 1 | 1 | | | |
| | Z208432000 | FOLLETO INSTRUCCIONES W | | | | | | | 1 | | |
| | Z213054000 | ESQUEMA TEORICO FI-48 | | 1 | | | | | | | PLANO HC-17908 |
| | Z223057000 | ESQUEMA TEORICO FI-48 B | | | 1 | | | | | | PLANO HC-17909 |
| | Z213057000 | ESQUEMA TEORICO FI-48 D | | | | 1 | | | | | PLANO HC-17931 |
| | Z227413000 | ESQUEMA TEORICO FI-48 CLINIC | | | | | 1 | 1 | | | PLANO HC-17912 |
| | Z228444000 | ESQUEMA TEORICO FI-48 W | | | | | | | 1 | | PLANO HC-17994 |
| | Z213055000 | PLANO DE MONTAJE FI-48 | | 1 | | | | | | | PLANO HC-17914 |
| | Z223058000 | PLANO DE MONTAJE FI-48 B | | | 1 | | | | | | PLANO HC-17915 |
| | Z213058000 | PLANO DE MONTAJE FI-48 D | | | | 1 | | | | | PLANO HC-17932 |
| | Z227414000 | PLANO DE MONTAJE FI-48 CLINIC | | | | | 1 | 1 | | | PLANO HC-17918 |
| | Z228443000 | PLANO DE MONTAJE FI-48 W | | | | | | | 1 | | PLANO HC-17992 |
| | | | | | | | | | | | |
| | Z603041000 | CABLE DE ALIMENTACION | | 1 | 1 | 1 | 1 | | | | |
| | Z208902000 | CABLE DE ALIMENTACION AF-UK | | | | | | 1 | | | |
| | Z243048000 | CABLEADO FI-48 | | 1 | | | | | | | |
| | Z253046000 | CABLEADO BOMBA DESAGUE | | | 1 | | | | 1 | | |
| | Z213056000 | CABLEADO FI-48 D | | | | 1 | | | | | |
| | Z257413000 | CABLEADO CLINIC LINE | | | | | 1 | 1 | | | |
| | Z228436000 | CABLE DE ALIMENTACION USA | | | | | | | 1 | | |
| | Z243047000 | CABLEADO TERMO STOP FI-64W | | | | | | | 1 | | |
| | Z208436000 | CABLEADO PROLONG. TSTOP | | | | | | | 1 | | |
| | Z203074000 | INSTALACION ELECTRICA FI-30 | | 1 | 1 | 1 | 1 | 1 | 1 | | |
| | | | | | | | | | | | |
| | | | | | | | | | | | |
| | | | | | | | | | | | |
| | | | | | | | | | | | |
| | | | | | | | | | | | |
| | | | | | | | | | | | |

MOD. LAVAVAJILLAS DE APERTURA FRONTAL

ZONA

PIEZAS ESPECIFICAS PARA AZKOYEN

PLANO

| ITEM | CODIGO | DENOMINACION | TEXTO | A-480 | A-480 B | | | | | | NOTAS |
|------|------------|----------------------------|-------|-------|---------|--|--|--|--|--|----------------|
| | Z200330000 | CAJA SOLDADA AZKOYEN | | - | 1 | | | | | | |
| | Z658602000 | ASA PUERTA | | 1 | 1 | | | | | | |
| | Z208603000 | ADHESIVO PUERTA | | 1 | 1 | | | | | | |
| | Z200541000 | PUERTA SOLDADA | | 1 | 1 | | | | | | |
| | Z220901000 | BOMBA DESAGUE 30W | | - | 1 | | | | | | |
| | Z220904000 | SOPORTE BOMBA DESAGUE | | - | 1 | | | | | | |
| | Q242030000 | ARANDELA ABANICO A5 A.304 | | - | 2 | | | | | | |
| | Z220902000 | ACUMULADOR 1503019 | | - | 1 | | | | | | |
| | Z220903000 | MANGUERA DESAGÜE | | - | 1 | | | | | | |
| | Z230902000 | PASAMUROS DETERGENTE | | 1 | 2 | | | | | | |
| | Z701152000 | PESO FILTRO | | 1 | 1 | | | | | | |
| | Z448616000 | PEGATINA TOMA DETERGENTE | | 1 | 1 | | | | | | |
| | Z218601000 | EMBELLECEDOR ADHESIVO | | 1 | - | | | | | | |
| | Z228803000 | EMBELLECEDOR ADHESIVO | | - | 1 | | | | | | |
| | Z218612000 | ADHESIVO PANEL AZKOYEN | | 1 | - | | | | | | |
| | Z228813000 | ADHESIVO PANEL AZKOYEN | | - | 1 | | | | | | |
| | Z228812000 | PANEL FRONTAL B SIN PUERTA | | - | 1 | | | | | | |
| | Z212909000 | FRENTE EXTRAIBLE | | 1 | 1 | | | | | | |
| | Z658813000 | BOTON DE MANDO | | 1 | 1 | | | | | | |
| | Z658607000 | INDICADOR | | 1 | 1 | | | | | | |
| | Z223057000 | ESQUEMA TEORICO FI-48 B | | - | 1 | | | | | | PLANO HC-17909 |
| | Z223001000 | CONMUTADOR DE FUNCIONES | | - | 1 | | | | | | |
| | Z223005000 | PRESOSTATO SIMPLE P.V.S. | | - | 1 | | | | | | |
| | Z103077000 | RACORD EN Y | | - | 1 | | | | | | |
| | Z253046000 | CABLEADO BOMBA DESAGUE | | - | 1 | | | | | | |
| | R693055000 | PILOTO VERDE 41227000C7 | | 1 | 1 | | | | | | |
| | Z213033000 | PULSADOR MARCHA | | 1 | 1 | | | | | | |
| | Z448613000 | CABLE DOSIFICADOR AZKOYEN | | 1 | 1 | | | | | | |
| | Z223058000 | ESQUEMA DE MONTAJE FI-48 B | | - | 1 | | | | | | PLANO HC-17915 |
| | Z208608000 | LIBRO DE INSTRUCCIONES | | 1 | 1 | | | | | | |

| MOD. LAVAVAJILLAS DE APERTURA FRONTAL | | ZONA | | PIEZAS ESPECIFICAS PARA MOVILFRIT | | | PLANO | |
|---------------------------------------|------------|-----------------------------|-------|-----------------------------------|----------|----------|-------|----------------|
| ITEM | CODIGO | DENOMINACION | TEXTO | MLV-50-S | MLV-50-B | MLV-50-D | | NOTAS |
| | Z208740000 | PUERTA COMPLETA | | 1 | 1 | 1 | | |
| | Z214401000 | EMBELLEC. ADHESIVO MLV-50-S | | 1 | - | - | | |
| | Z224401000 | EMBELLEC. ADHESIVO MLV-50-B | | - | 1 | - | | |
| | Z214402000 | EMBELLEC. ADHESIVO MLV-50-D | | - | - | 1 | | |
| | Z212909000 | FRENTE EXTRAIBLE | | 1 | 1 | 1 | | |
| | Z663062000 | BOTON DE MANDO | | 1 | 1 | 1 | | |
| | Z213033000 | PULSADOR MARCHA | | 1 | 1 | 1 | | |
| | R693055000 | PILOTO VERDE 41227000C7 | | 1 | 1 | 1 | | |
| | Z220901000 | BOMBA DESAGUE 30W | | - | 1 | - | | |
| | Z220904000 | SOPORTE BOMBA DESAGUE | | - | 1 | - | | |
| | Q242030000 | ARANDELA ABANICO A5 A.304 | | - | 4 | - | | |
| | Z220902000 | ACUMULADOR 1503019 | | - | 1 | - | | |
| | Z220903000 | MANGUERA DESAGÜE | | - | 1 | - | | |
| | Z230902000 | PASAMUROS DETERGENTE | | - | 1 | - | | |
| | Z228812000 | PANEL FRONTAL B SIN PUERTA | | - | 1 | - | | |
| | Z223005000 | PRESOSTATO SIMPLE P.V.S. | | - | 1 | - | | |
| | Z103077000 | RACORD EN Y | | - | 1 | - | | |
| | Z223001000 | CONMUTADOR DE FUNCIONES | | - | 1 | 1 | | |
| | Z253046000 | CABLEADO BOMBA DESAGUE | | - | 1 | - | | |
| | Z223057000 | ESQUEMA TEORICO FI-48 B | | - | 1 | - | | PLANO HC-17909 |
| | Z223058000 | PLANO DE MONTAJE FI-48 B | | - | 1 | - | | PLANO HC-17915 |
| | Z210352000 | CAJA SOLDADA FI-D | | - | - | 1 | | |
| | P255001000 | ELECTROVALVULA DOBLE | | - | - | 1 | | |
| | P305013000 | REGULADOR 1L.AMA 255.005 | | - | - | 1 | | |
| | 3676900000 | TUBO GOMA NEGRA Ø 17*10 | | - | - | 1 | | |
| | Q881302000 | ABRAZADERA 12-20 | | - | - | 6 | | |
| | Z471101000 | DESCALCIFICADOR 4 COLUMNAS | | - | - | 1 | | |
| | Q152012000 | PERNO SOLD.M6X15 | | - | - | 2 | | |
| | Z471102000 | DEPOSITO SOLDADO | | - | - | 1 | | |
| | Z471105000 | FILTRO (BITRON 06281.01) | | - | - | 2 | | |
| | Z471106000 | TUERCA (BITRON 27414.00) | | - | - | 1 | | |

MOD. LAVAVAJILLAS DE APERTURA FRONTAL

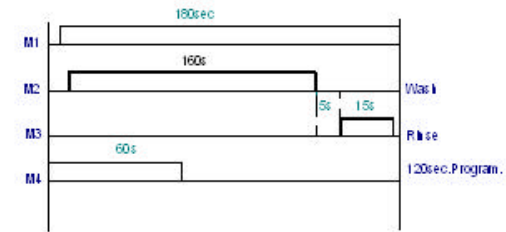
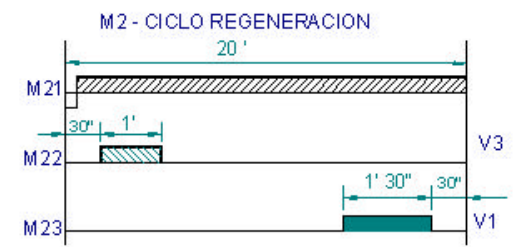
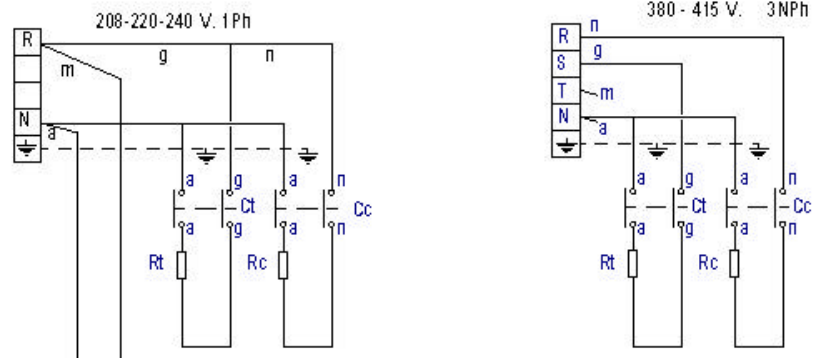
ZONA

PIEZAS ESPECIFICAS PARA SHARPLINE

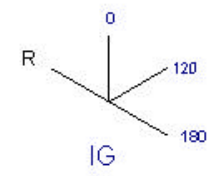
PLANO

| ITEM | CODIGO | DENOMINACION | TEXTO | FI-48 B | | | | | | | NOTAS |
|------|------------|-------------------------------|-------|---------|--|--|--|--|--|--|----------------|
| | Z208412000 | CAJA SOLDADA W | | 1 | | | | | | | |
| | Z204602000 | ASA CHAPA AF | | 1 | | | | | | | |
| | Z220901000 | BOMBA DESAGUE 30W | | 1 | | | | | | | |
| | Z220904000 | SOPORTE BOMBA DESAGUE | | 1 | | | | | | | |
| | Q242030000 | ARANDELA ABANICO A5 A.304 | | 4 | | | | | | | |
| | Z220902000 | ACUMULADOR 1503019 | | 1 | | | | | | | |
| | Z220903000 | MANGUERA DESAGUE | | 1 | | | | | | | |
| | Z230902000 | PASAMUROS DETERGENTE | | 1 | | | | | | | |
| | Z231106000 | VALVULA ANTIRRETORNO | | 1 | | | | | | | |
| | Z228812000 | PANEL FRONTAL B SIN PUERTA | | 1 | | | | | | | |
| | Z229201000 | EMBELLECEDOR ADHESIVO | | 1 | | | | | | | |
| | Z212909000 | FRENTE EXTRAIBLE | | 1 | | | | | | | |
| | Z213002000 | PROGRAMADOR CICLO | | 1 | | | | | | | |
| | Z663062000 | BOTON DE MANDO | | 1 | | | | | | | |
| | Z263002000 | VAINA INDICADOR COMPLETA | | 1 | | | | | | | |
| | R693010000 | REGLETA 2,5MM TEKOX1106PL | | 1 | | | | | | | |
| | X083011000 | REGLETA FASTON MACHO DOBL | | 1 | | | | | | | |
| | Z203072000 | INDICADOR ANALOGICO | | 2 | | | | | | | |
| | Z743009000 | CONT.SIRIUS 3RT10 16-2AP02 | | 1 | | | | | | | |
| | Z213033000 | PULSADOR MARCHA | | 1 | | | | | | | |
| | Z223001000 | CONMUTADOR DE FUNCIONES | | 1 | | | | | | | |
| | Z223005000 | PRESOSTATO SIMPLE P.V.S. | | 1 | | | | | | | |
| | Z103077000 | RACORD EN Y | | 1 | | | | | | | |
| | Z253046000 | CABLEADO BOMBA DESAGUE | | 1 | | | | | | | |
| | Z243047000 | CABLEADO TERMO STOP FI-64W | | 1 | | | | | | | |
| | Z229205000 | CABLEADO SHARPLINE | | 1 | | | | | | | |
| | Z229211000 | ESQ. TEORICO FI-48B SHARPLINE | | 1 | | | | | | | PLANO HC-17911 |
| | | | | | | | | | | | |
| | | | | | | | | | | | |
| | | | | | | | | | | | |
| | | | | | | | | | | | |

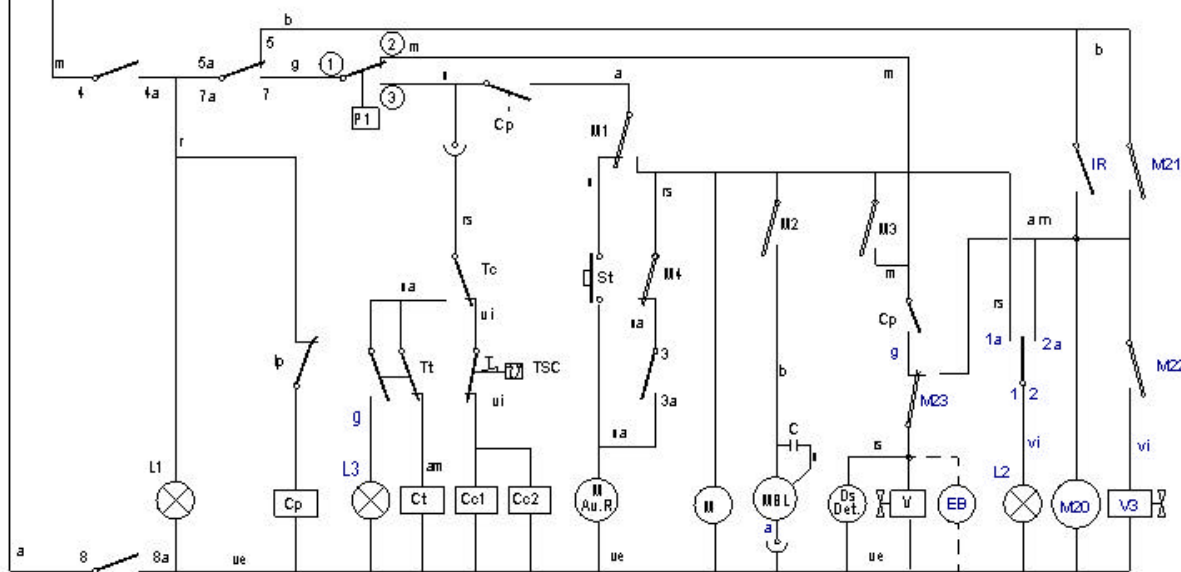
FI-48D, MLV-50 D



| IG | 1 1a | 2 2a | 3 3a | 4 4a | 5 5a | 7 7a | 8 8a |
|-----|---------|---------|---------|---------|---------|---------|---------|
| R | X | | X | X | | | X |
| 0 | | | | | | | |
| 120 | X | | X | X | | X | X |
| 180 | X | | X | X | | X | X |

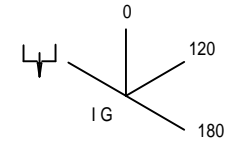
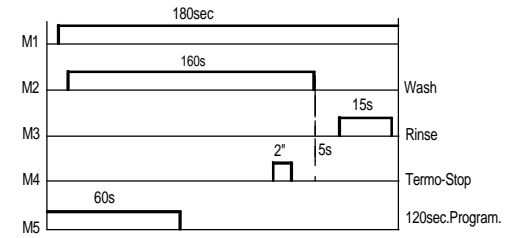
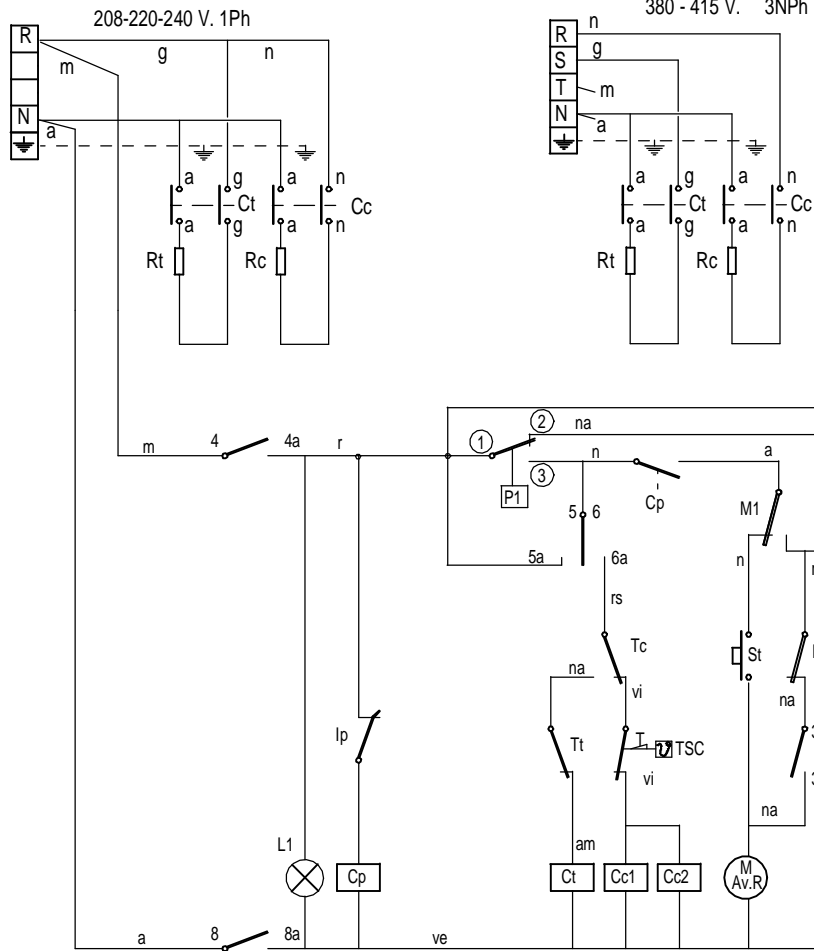


Z213057000



| | | | |
|------------------------|---------------------------|---|---|
| Esquema Teorico FI-48D | | Z213057000 | |
| Nº | Pieza | Materia | Nº Clasificación |
| Nº | Modificación | Propósito de | Fecha |
| ① | Serie MLV-50 D de fábrica | Destino | 2007-05-02 |
| | | Tolerancias generales | |
| | | <3% : 5-100% : >100% : 5-25% : >100% : 25-50% : <3% : | |
| Dibujado | | Fecha | Mecanizado superficial Puro aluminio Lavavajillas HC-17931-1 Sustituye al N° Sustituye por |
| Proyectado | | Fecha | |
| Comprobado | | Fecha | |
| Escala | | Fecha | |

FI-48 CLINIC, FI-48B B-T

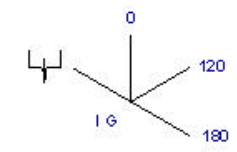
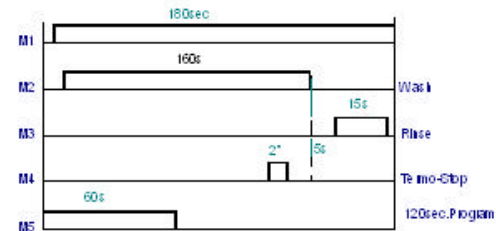
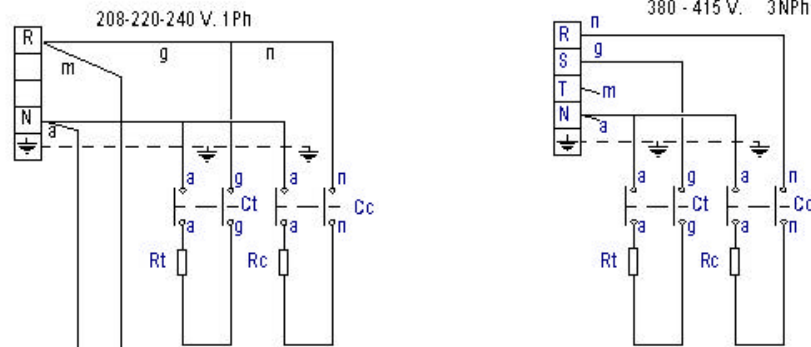


| IG | 1 1a | 2 2a | 3 3a | 4 4a | 5 5a | 6 6a | 7 7a | 8 8a |
|-----|---------|---------|---------|---------|---------|---------|---------|---------|
| 0 | | X | | X | X | | | X |
| 120 | X | | X | X | | X | X | X |
| 180 | X | | | X | | X | X | X |

Z227413000

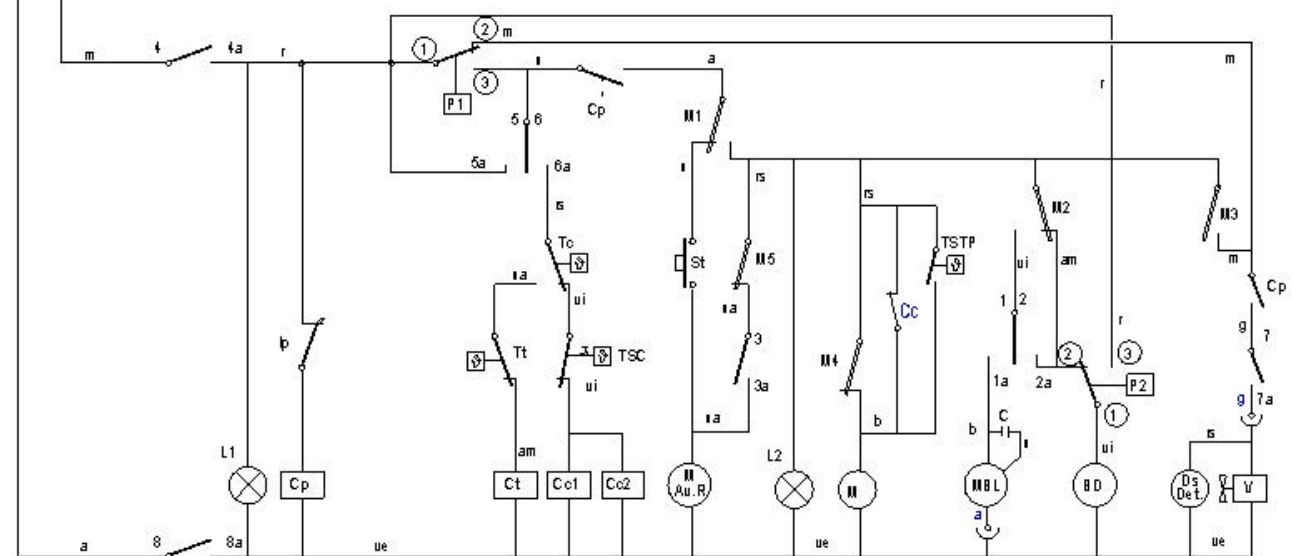
| | | | |
|--|---|-----------------------|--------------------------|
| Esquema Teorico FI-48 CLINIC | | Z227413000 | |
| Nº | Pieza | Material | Nº Clasificacion |
| Nº | Modificacion | Propuesta de | Fecha |
| 1 | Se sustituyen P3, P4 y P5 por el triple presostato P3 | Malbes | 22-06-2007 |
| | | Tolerancias generales | |
| | | ± 0.5 | $50-100\pm$ |
| | | $5-25\pm$ | >100± |
| | | $25-60\pm$ | \varnothing |
| Dibujado | Firma | Fecha | Mecanizado superficial |
| Proyectado | M.Maillo | 07-10-2005 | |
| Comprobado | M.Maillo | 07-10-2005 | |
| Escala | Fagor Industrial, Koop. Eik, Mugatua | | Plano numero |
| LAVAVAJILLAS | | | HC-17912 |
| | | | Sustituye al Nº |
| Plano hau ez daiteke erabil ez berritza gure baimeniz gabe | | | Sustituido por |

FI - 48 W



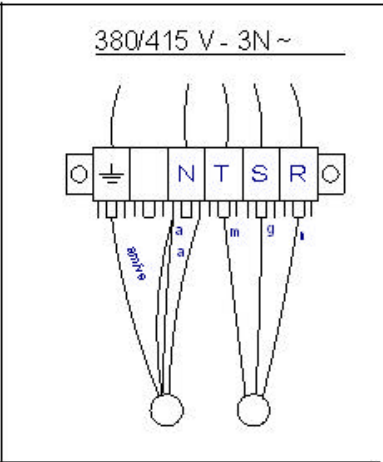
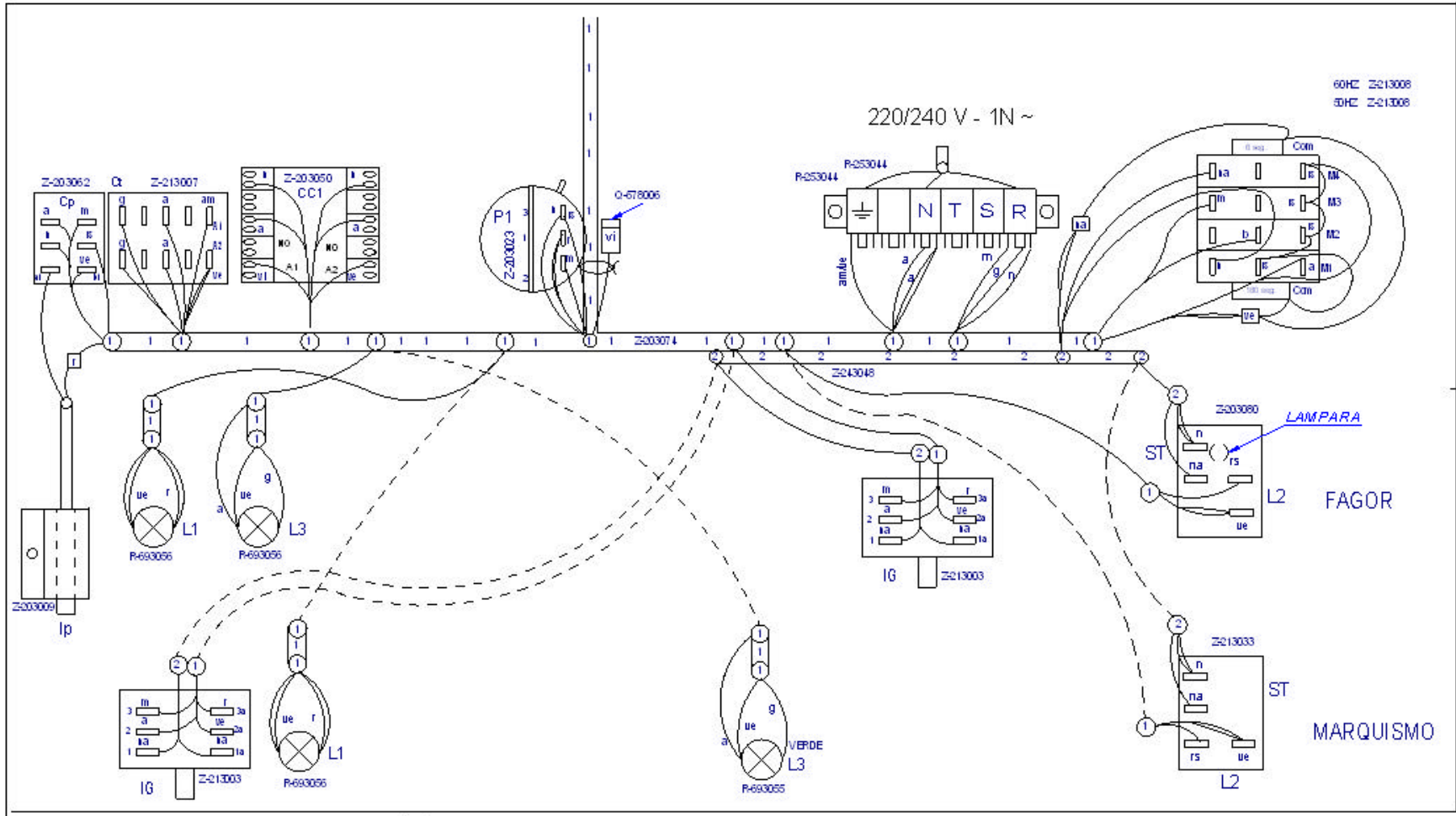
| IG | 1-1a | 2-2a | 3-3a | 4-4a | 5-5a | 6-6a | 7-7a | 8-8a |
|-----|------|------|------|------|------|------|------|------|
| IG | | X | | X | X | | | X |
| 0 | | | | | | | | |
| 120 | X | | X | X | | X | X | X |
| 180 | X | | | X | | X | X | X |

Colours code-Code de couleurs-Codigo de colores:
 r = red-rouge-rojo
 m = brown-marron-marron
 g = grey-gris-gris
 n = black-noir-negro
 a = blue-bleu-azul
 b = white-blanc-blanco
 vi = violet-violet-violeta
 am = yellow-jaune-amarillo
 na = orange-orange-naranja
 rs = rose-pink-rosa
 ve = green-vert-verte
 am/ve = yellow green-jaune vert-amar./verde



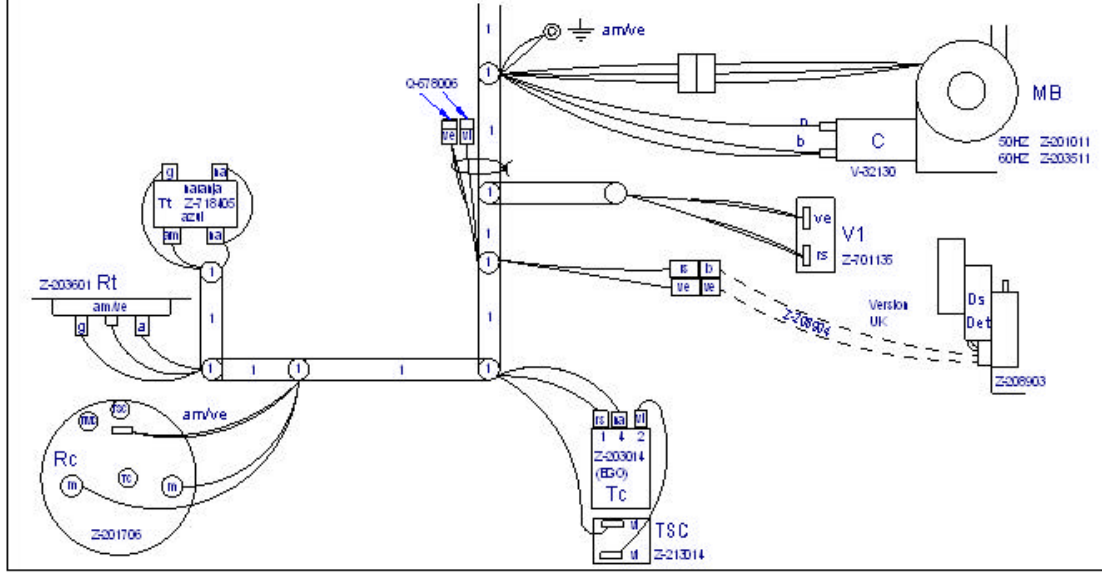
Z-228444000 HC-17994

| | | | | | | | |
|----------|--------------------------|-------------------------------|------------------------------------|------------|------------------------------|---------------------------------|----------------------------------|
| BD | Drain pump | Pompe de vidange | Bomba desagüe | M Av. R | Motor program. rapid advance | Moteur du progr.avance rapide | Motor program. avance rapido |
| C 1/2/3 | Condenser | Condensateur | C condensador | M1 | Micro programmer on | Micro du programm. de marche | Micro programador marcha |
| CMB | W ash pump contactor | Contacteur pompe lavage | Contactador bomba lavado | M2 | Micro programmer wash | Micro du programm. de lavage | Micro programador lavado |
| Cc 1/2 | Boiler heating contactor | Contacteur chauff.surchauffer | Contactador calentamiento calderin | M3 | Micro programmer on | Micro du programm. de rinçage | Micro programador aclarado |
| Ct | Tank heating contactor | Contacteur chauffage cuve | Contactador calentamiento tanque | M4 | Micro programmer Thermo-stop | Micro du programm. Thermo-stop | Micro programador Thermo-stop |
| CP | Door relay | Relais porte | Rele puerta | M5 | Micro programmer advance | Micro du programm. avance | Micro programador avance |
| Ds, Det. | Detergent doser | Dosseur de detergent | Dosificador detergente | P, P1, P5 | Pressure switch | Pressostat | Presostato |
| E.B | Electric pressure pump | Electropompe de pression | Electrobomba de presion | P2, P3, P4 | H ilimit pressure switch | Pressostat de securité | Presostato limitador |
| IG | Main switch | Interrupteur general | Interruptor general | RC | Boiler heating element | Resistance surchauffer | Resistencia calderin |
| IP | Door microswitch | Micro porte | Micro puerta | RT | Tank heater | Resistance cuve | Resistencia tanque |
| L1 | Operation light | Voyant fonctionnement | Piloto de encendido | Tt | Tank thermostat | Thermostat de cuve | Termostato tanque |
| L2 | Start light | Voyant demarrage | Piloto marcha | TC | Boiler thermostat | Thermostatsurchauffer | Termostato calderin |
| L3 | Light machine ready | Voyant machine prêt | Piloto maquina preparada | TSC | Boiler H ilimit | Limiteur surchauffer | Limitador calderin |
| MBL | W ash pump | Pompe lavage | Bomba lavado | TSTP | Thermo-stop Thermostat | Thermostat Thermo-stop | Termostato thermo-stop |
| M | Motor programmer | Moteur du programmeur | Motor programador | V | Fill and rinse valve | Electrovan. remplissage rinçage | Electrovavula llenado y aclarado |



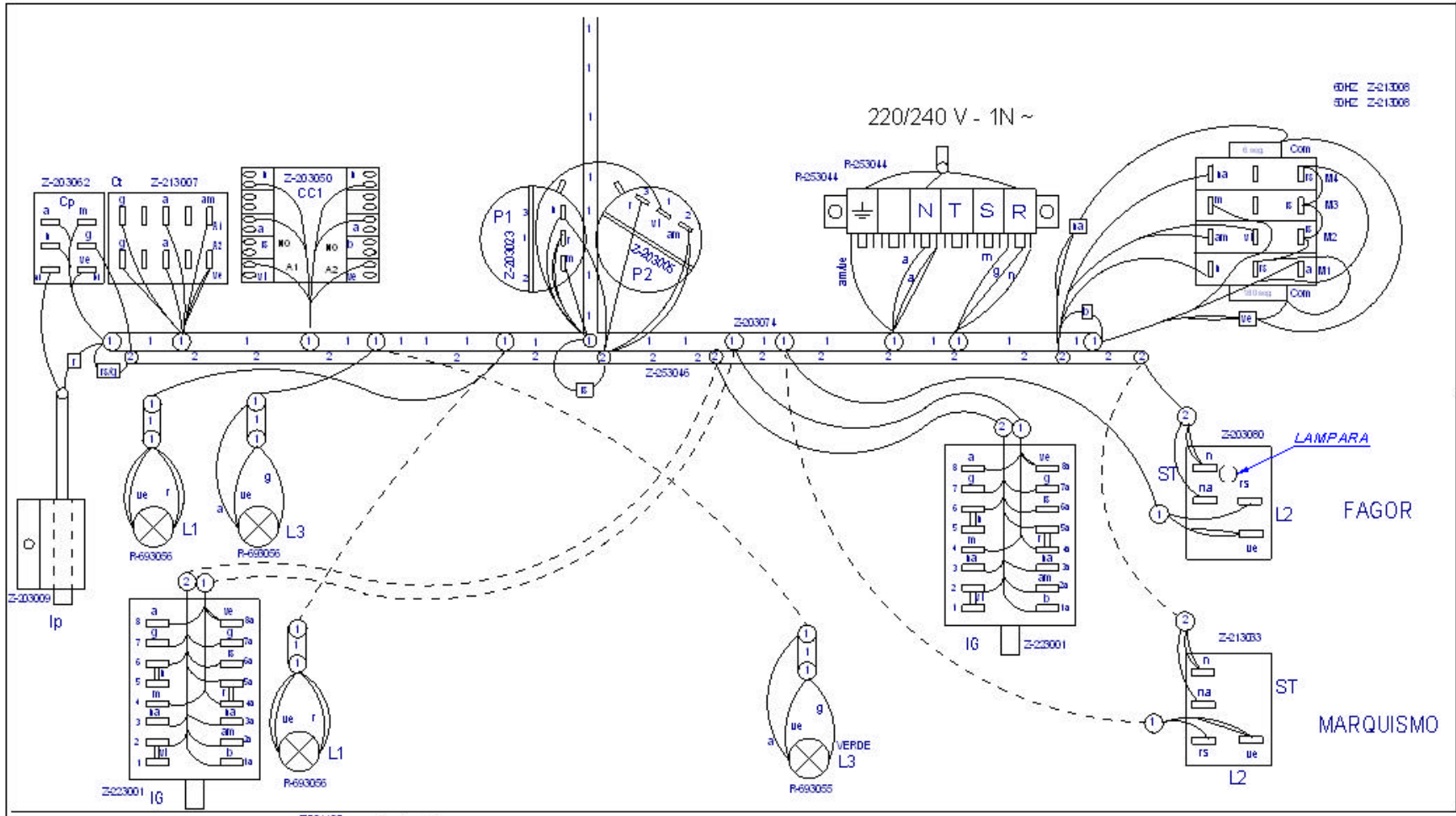
ESQUEMA TEORICO Z-213054
 LEYENDA Z-243051
 INDICADOR DE COMPONENTES Z-13034

nw

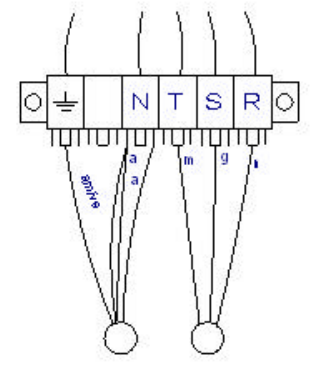


| | | | |
|---------------------|------------------------------------|--------------|-----------------------|
| Plano Montaje FI-48 | | Z213055000 | |
| Nº | Pieza | Materia | Nº Clasificado |
| Nº | Modificación | Propósito de | Fecha |
| 1 | Corrección en nueva estética Fagor | scaro | 2006-11-30 |
| | | | Tolerancias generales |
| | | | < 3% : 50-100% |
| | | | 5-25% : > 100% |
| | | | 25-50% : < 4 |

| | | | | | | | | | | | | | | |
|--|--------------------|------------|------------|------------|----------|------------|------------|--------------------|------------|--------|--|--|--|---|
| <table border="1"> <tr> <td>Elaborado</td> <td>M. Mallo</td> <td>07-10-2005</td> </tr> <tr> <td>Proyectado</td> <td>M. Mallo</td> <td>07-10-2005</td> </tr> <tr> <td>Comprobado</td> <td><i>[Signature]</i></td> <td>07-10-2005</td> </tr> <tr> <td>Escala</td> <td></td> <td></td> </tr> </table> | Elaborado | M. Mallo | 07-10-2005 | Proyectado | M. Mallo | 07-10-2005 | Comprobado | <i>[Signature]</i> | 07-10-2005 | Escala | | | <p>FAGOR</p> <p>Fagor Industrial, S.p.A. - Megretta</p> | <p>Mecanizado superficial</p> <p>Plano número HC-17914 -1</p> <p>Sistema a IN*</p> <p>Sistema de por</p> |
| Elaborado | M. Mallo | 07-10-2005 | | | | | | | | | | | | |
| Proyectado | M. Mallo | 07-10-2005 | | | | | | | | | | | | |
| Comprobado | <i>[Signature]</i> | 07-10-2005 | | | | | | | | | | | | |
| Escala | | | | | | | | | | | | | | |



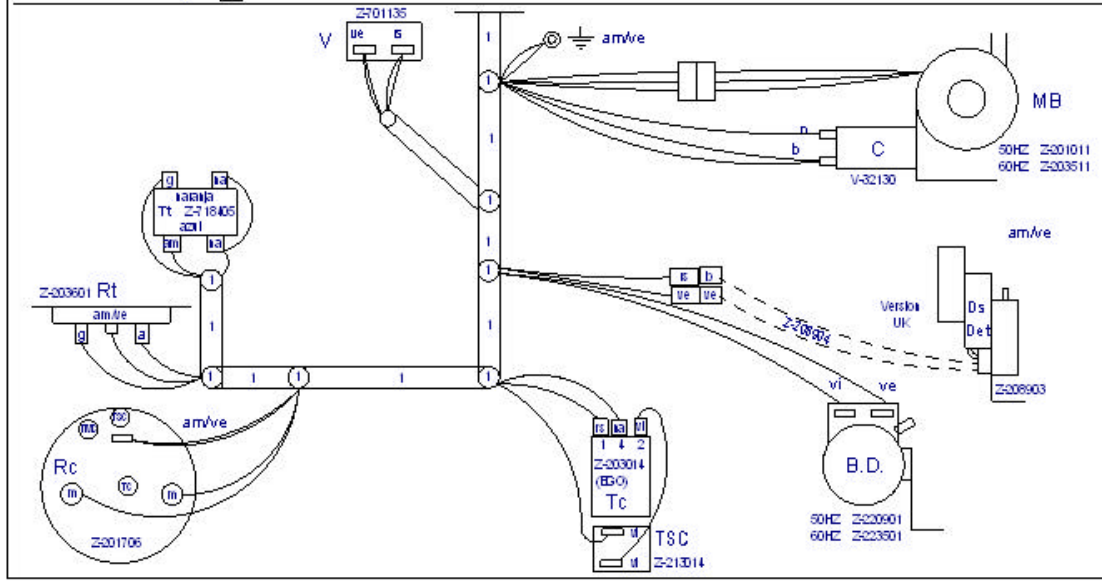
380/415 V - 3N ~



60Hz Z-213008
50Hz Z-213008

ESQUEMA TEORICO Z-223057
LEYENDA Z-243051
INDICADOR DE COMPONENTES Z-13034

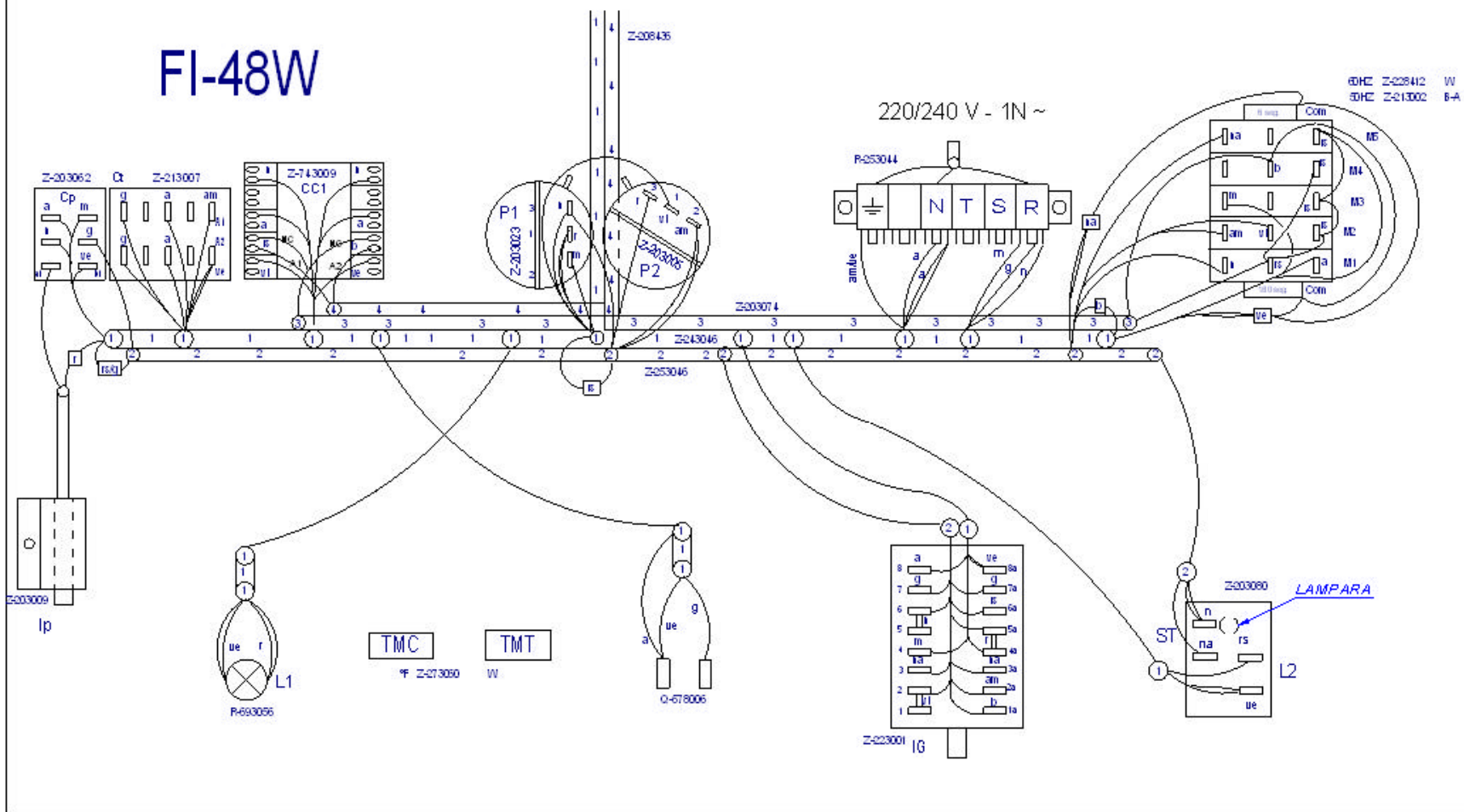
LAMPARA
L2 FAGOR
L2 MARQUISMO



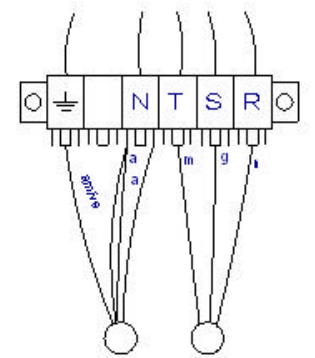
| | | | |
|-----------------------|------------------------------------|----------------------|----------------|
| Plano Montaje FI-48 B | | ZZ23058000 | |
| Nº | Pieza | Materia | Nº Clasificado |
| Nº | Modificación | Propósito de | Fecha |
| 1 | Corrección en nueva estética Fagor | scara | 2006-11-30 |
| | | Toleancias generales | |
| | | < 3% | 50-100% |
| | | 5-25% | > 100% |
| | | 25-50% | < 4% |

| | | | |
|--|-------------------------------------|--|------------------------|
| Dibujado | Fecha | | Mecanizado superficial |
| Proyectado | Fecha | | |
| Comprobado | Fecha | | |
| Escala | Fagor Industrial, S.p.A. - Megretta | | Plano número |
| LAVAVAJILLAS | | | HC-17915 -1 |
| Favor de conservar este manual de usuario para futuras consultas | | | Sustituya a la N° |
| | | | Sustituya por |

FI-48W

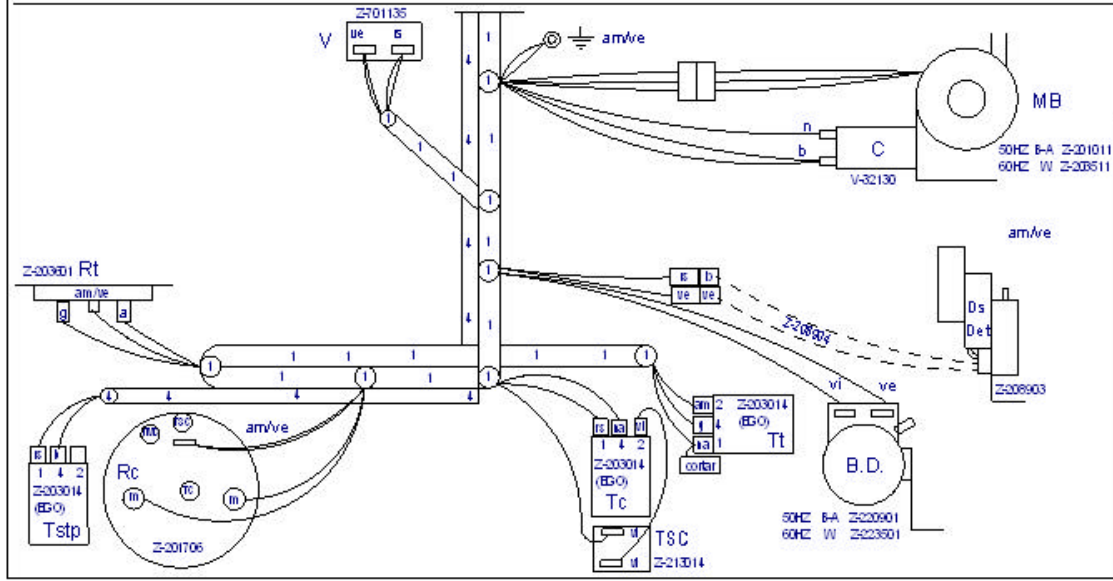


380/415 V - 3N ~



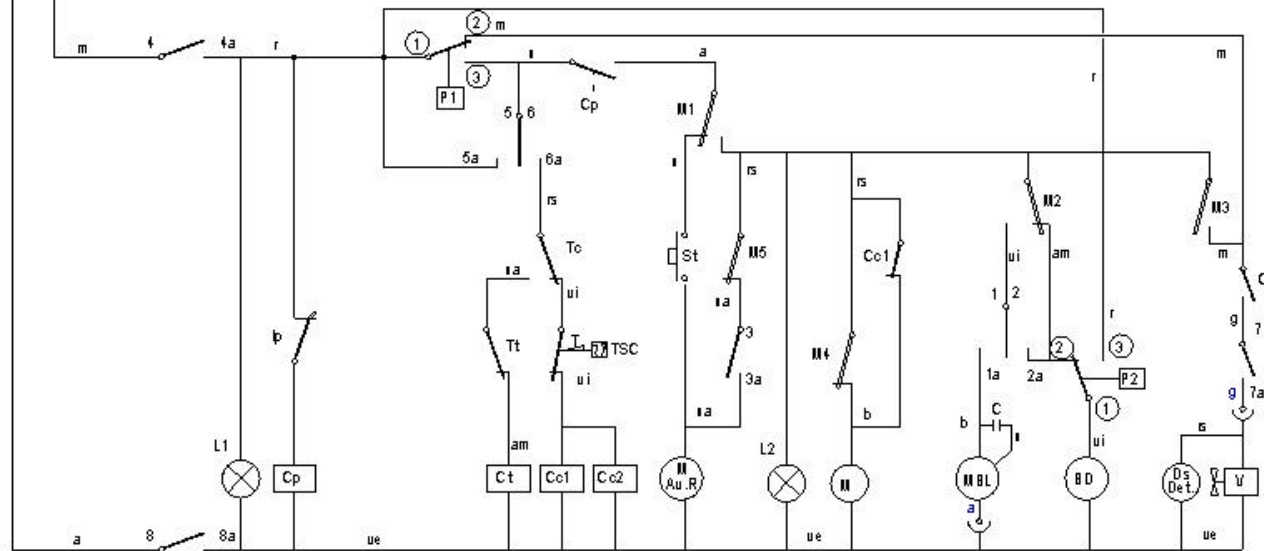
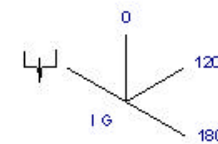
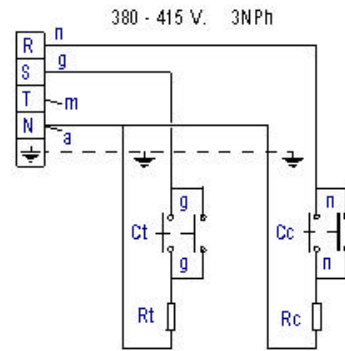
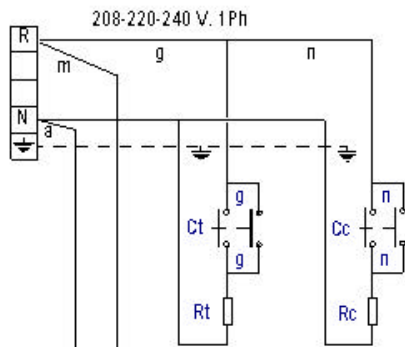
220/240 V - 1N ~

| | |
|--------------------------|----------|
| ESQUEMA TEORICO FI-48W | Z-20344 |
| LEYENDA | Z-243051 |
| INDICADOR DE COMPONENTES | Z-13034 |



| | | | |
|---|------------------------------------|------------|--|
| Plano Montaje FI-48 W | | Z228443000 | |
| Nº | Pieza | Materia | Nº Clasificado |
| Nº | Modificación | Propósito | Fecha |
| 1 | Introducir nueva estética Fagor | scaro | 2006-11-30 |
| | | | To e niveles generales <3% : 50-100% 5-25% : >100% 25-50% : <4% |
| Dibujado | M. Mallo | Fecha | 07-10-2006 |
| Proyectado | M. Mallo | Fecha | 07-10-2006 |
| Comprobado | | Fecha | 07-10-2006 |
| Escala | Fagor Industrial, S.p.A. - Megalca | | |
| LAVAVAJILLAS | | | Plano número HC-17992 -1 |
| Favor indicar cableado de los componentes que faltan en el cableado | | | Sistema de por |

FI-48B SHARPLINE



| I G | 1-1a | 2-2a | 3-3a | 4-4a | 5-5a | 6-6a | 7-7a | 8-8a |
|-----|------|------|------|------|------|------|------|------|
| I G | | X | | X | X | | | X |
| 0 | | | | | | | | |
| 120 | X | | X | X | | X | X | X |
| 180 | X | | | X | | X | X | X |

Z-229211000

| | | | |
|----------------------------------|--------------|---|---------------------|
| Esquema Teorico FI-48B SHARPLINE | | Z229211000 | |
| Nº Pieza | Material | Nº Clasificado | Acabado |
| Nº Modificación | Propuesta de | Fecha | Todos los generales |
| | | | < 5% : 50-100% |
| | | | 5 -25% : > 100% |
| | | | 25 -50% : < 5% |
| Elaborado | Fecha | | |
| Dibujado | Fecha | | |
| Proyectado | Fecha | | |
| Comprobado | Fecha | Fagor Industrial, Coop. Eki, Miraflores | |
| Escala | | LAVAVAJILLAS | |
| | | Plano número HC-17911 | |
| | | Sustituye al N° | |
| | | Sustituye por | |