

# easicook.co.uk

## Spare Parts Manual

Leading UK Distributors  
of Catering Equipment Since 1977

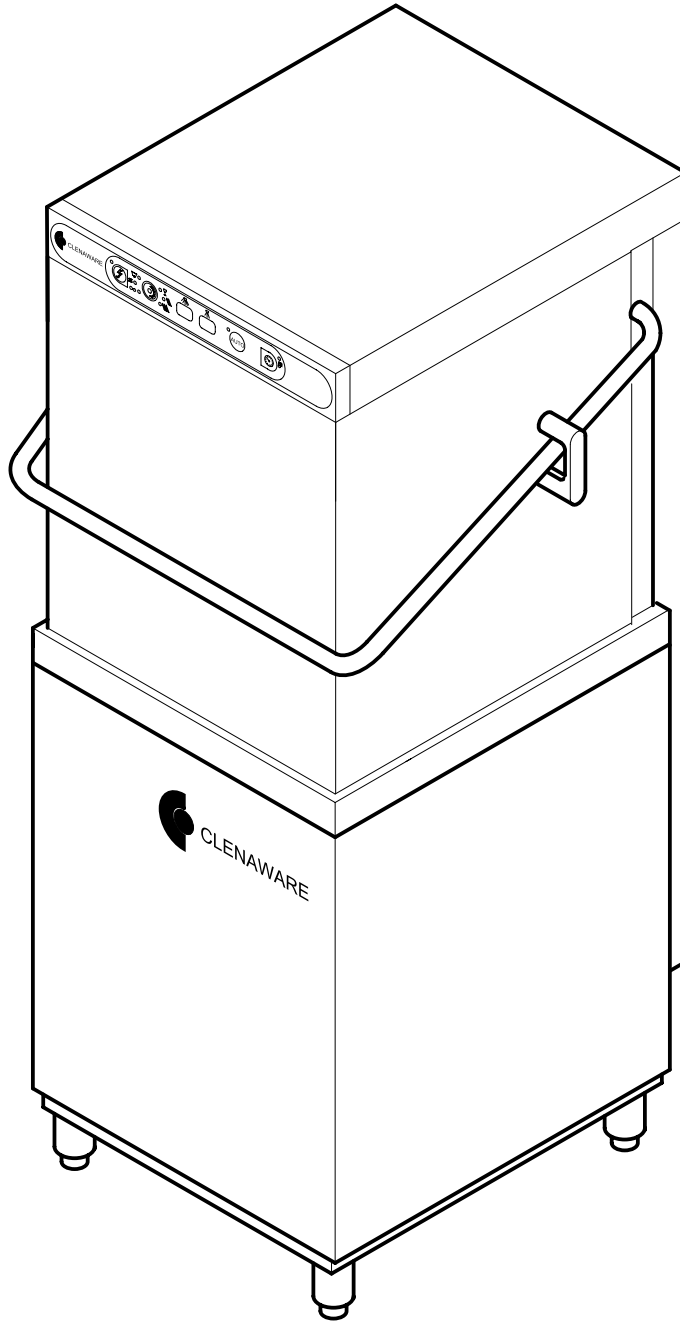
Sales - Repairs - Spares

Tel: 029 20747567

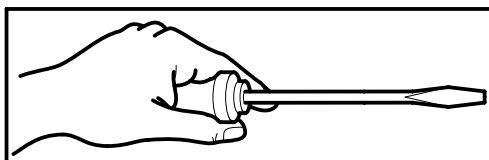
Fax: 029 20214100

Email: [info@easicook.co.uk](mailto:info@easicook.co.uk)

[Click Here for Live Online Chat](#)



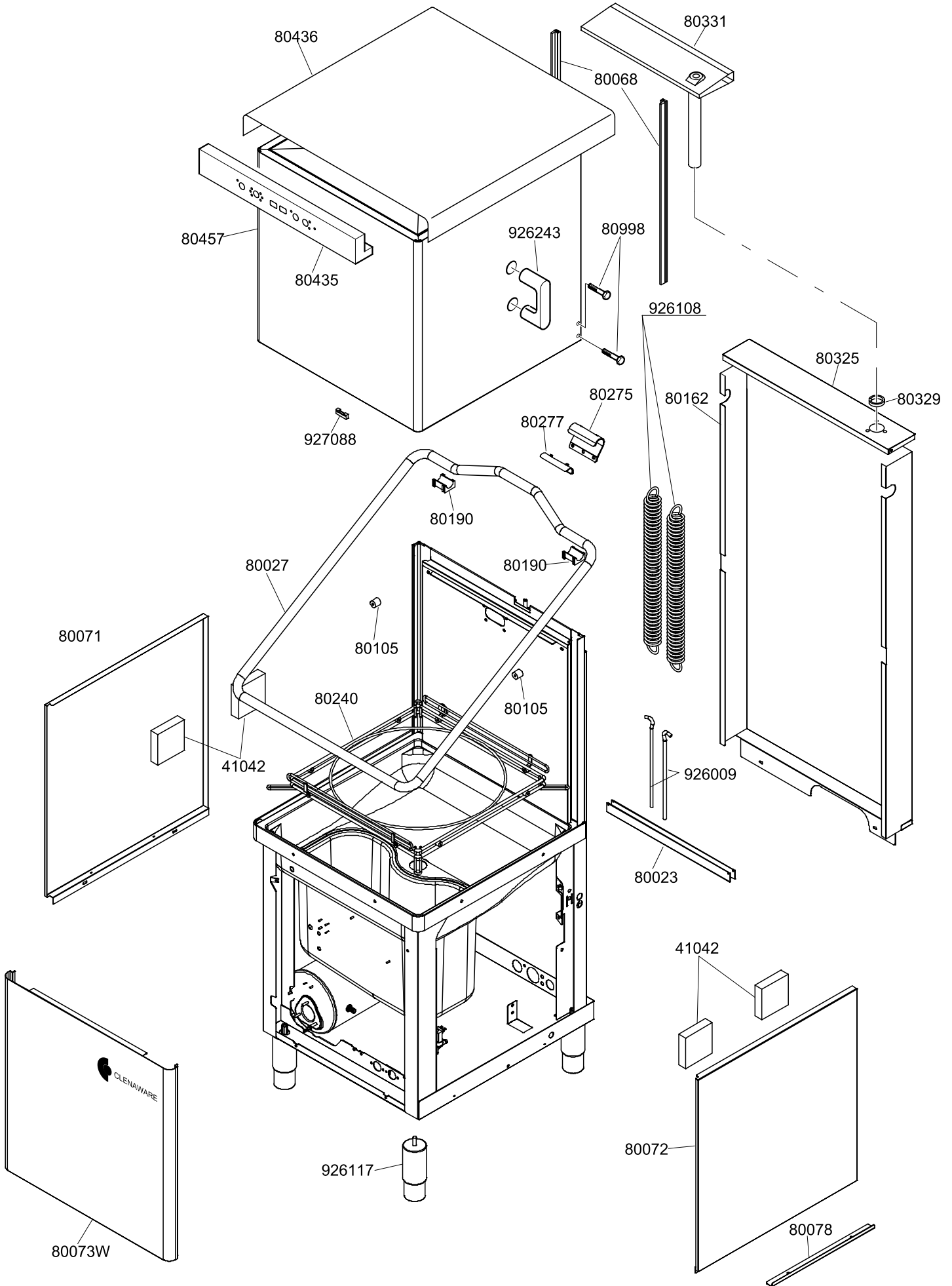
**71b / 74b**



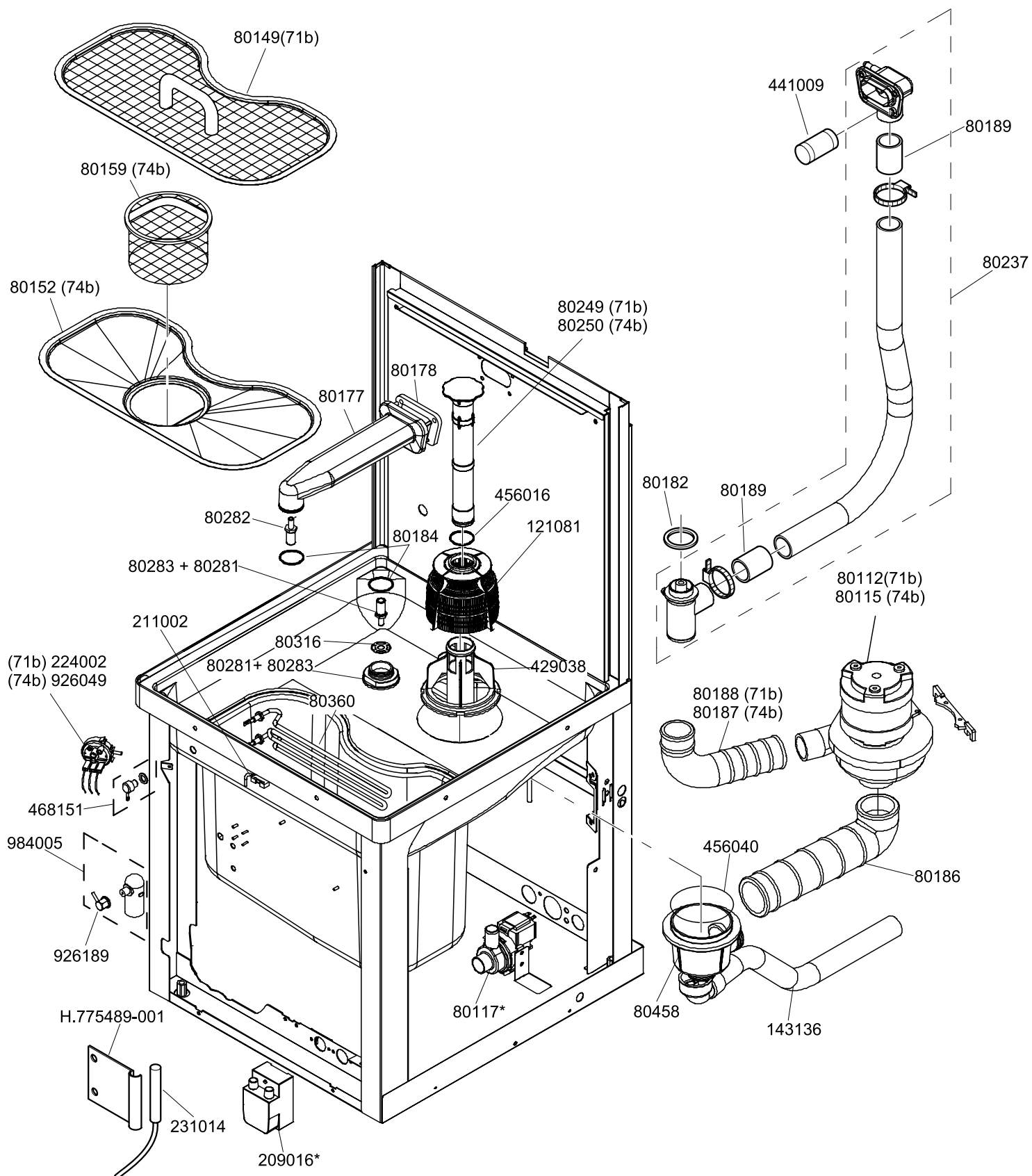
# 71b / 74b

Tav. 1 – Machine Body  
Tav. 2 – Electrical components  
Tav. 3 – Components in the tank  
Tav. 3A – Components in the tank  
Tav. 4 – Wash arms – Rinsing  
Tav. 5 – Wash pump  
Tav. 6 – Wash pump  
Tav. 6A – Wash pump  
Tav. 7 – Rinse pump

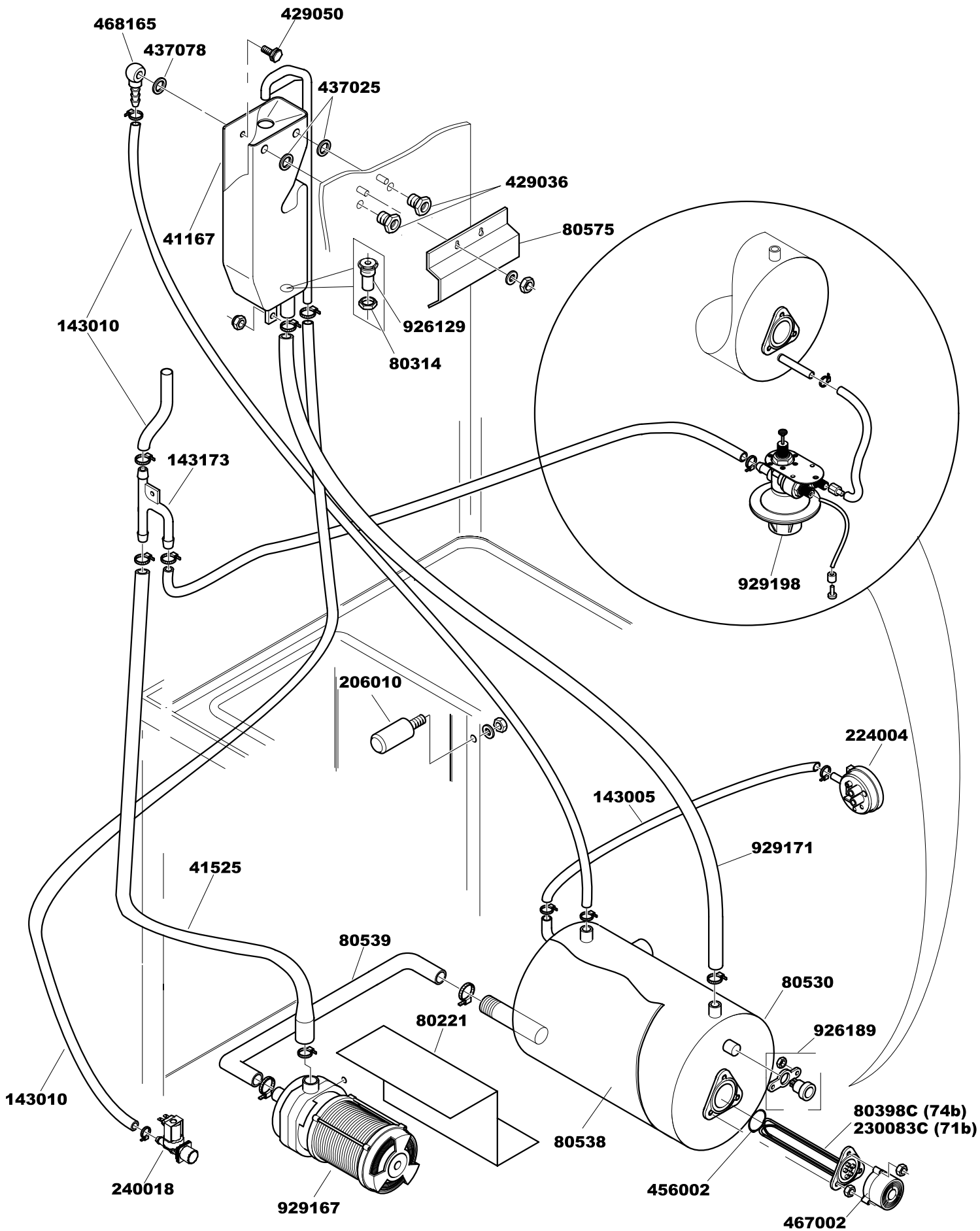
Tab. 1 – Carrosserie  
Tab. 2 – Installation électrique  
Tab. 3 – Composants de cuve  
Tab. 3A – Composants de cuve  
Tab. 4 – Rampes de lavage Rinçage  
Tab. 5 – Pompe lavage  
Tab. 6 – Pompe lavage  
Tab. 6A – Pompe lavage  
Tab. 7 – Pompe Rinçage

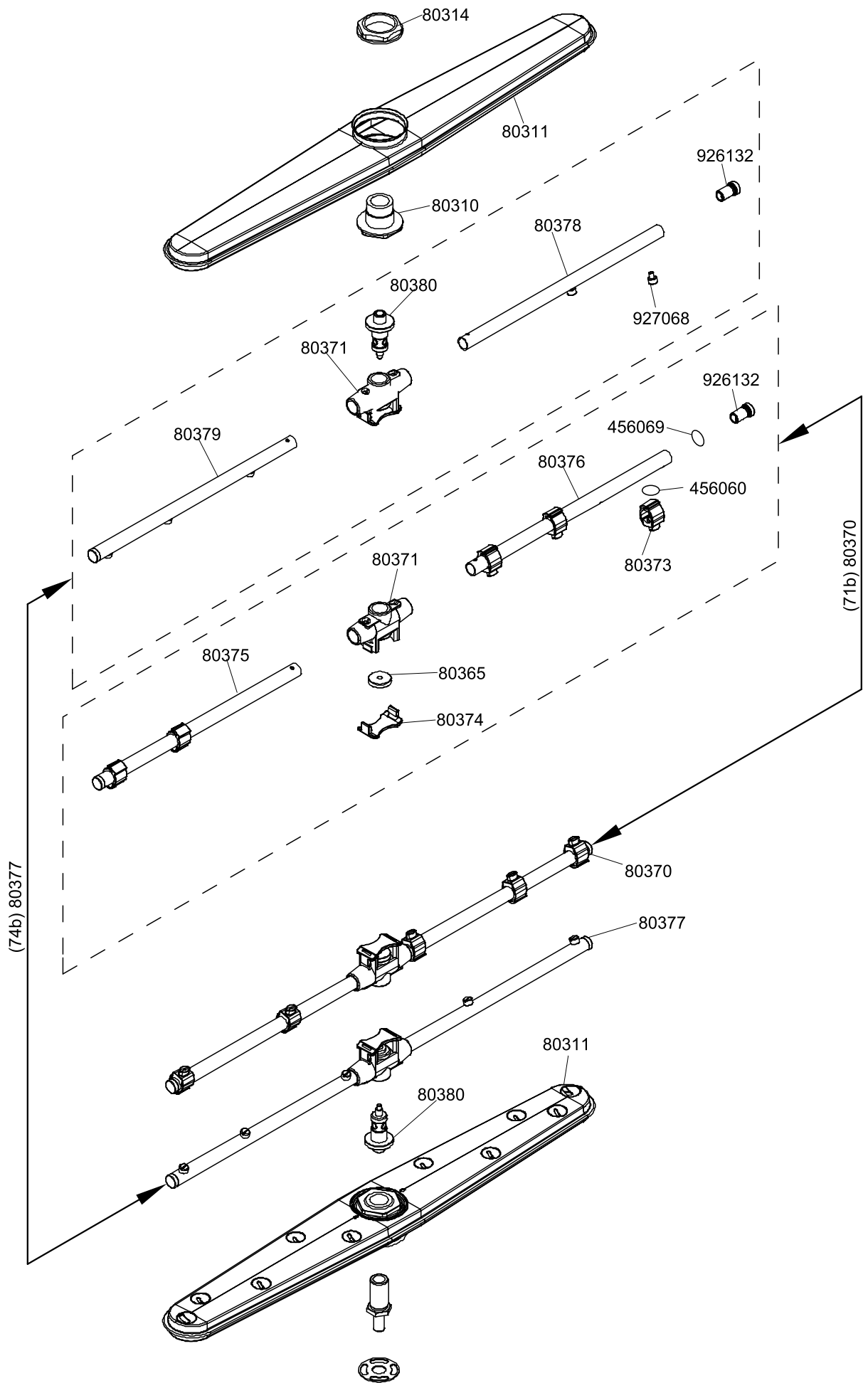




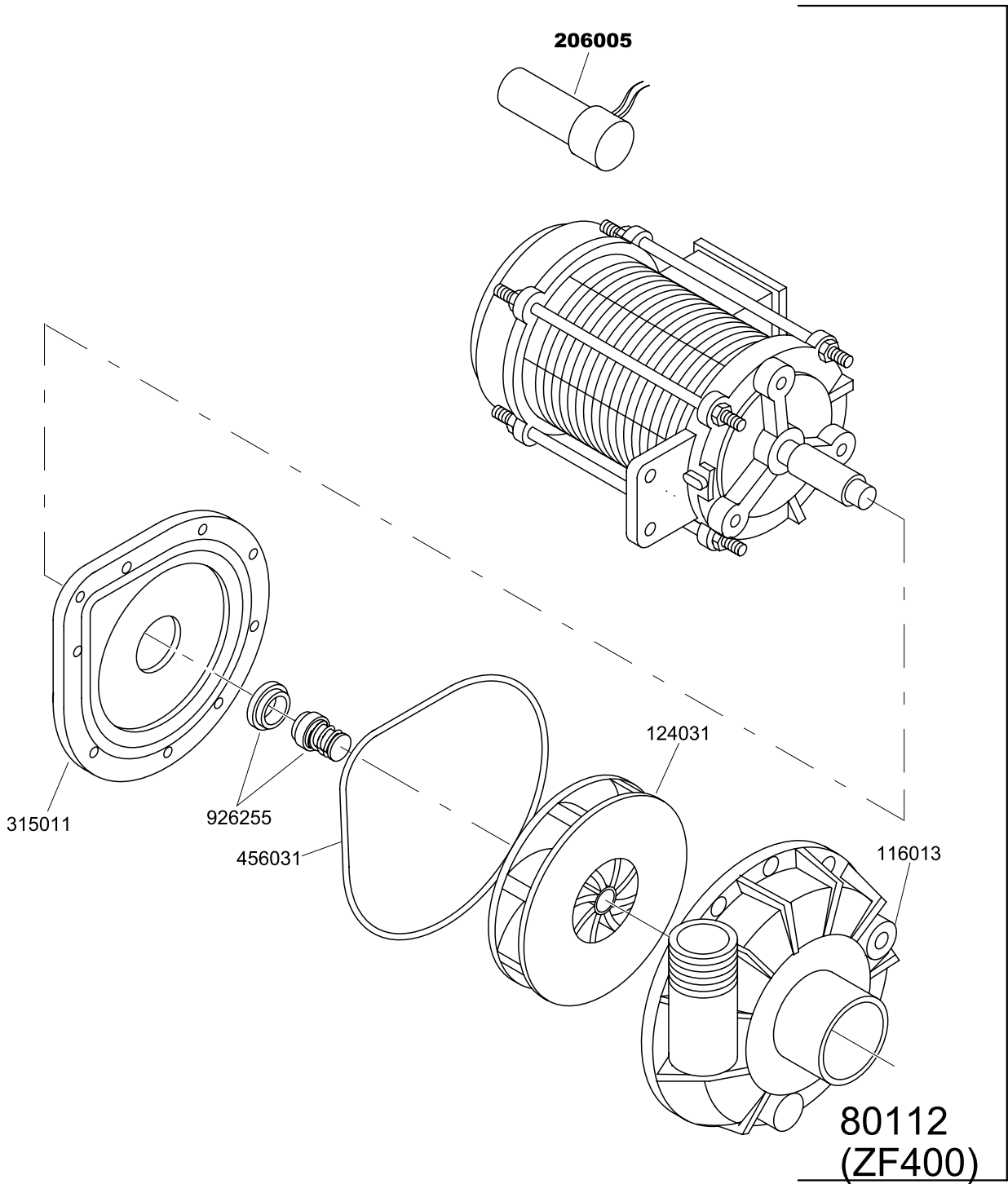


(\* ) Optional

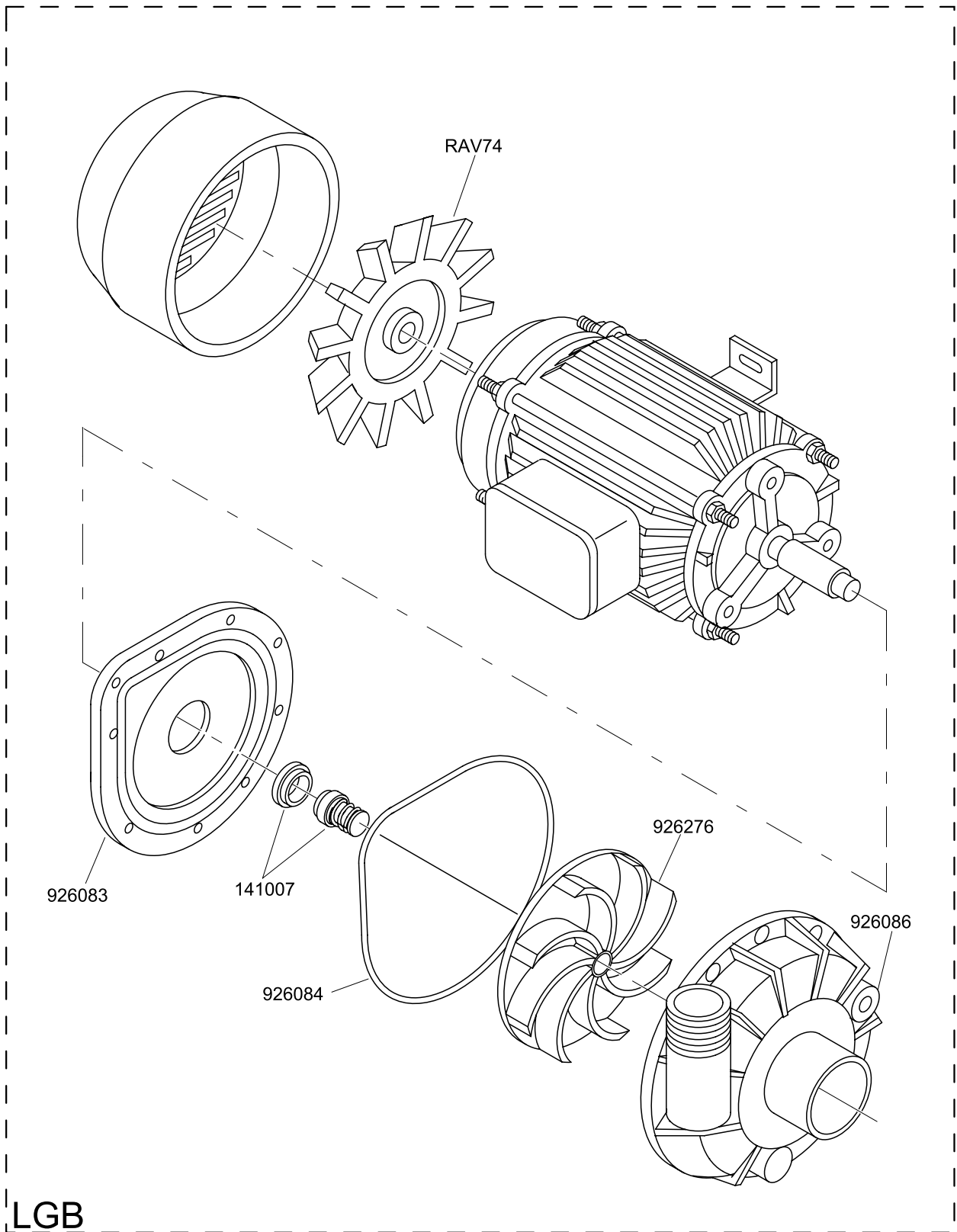








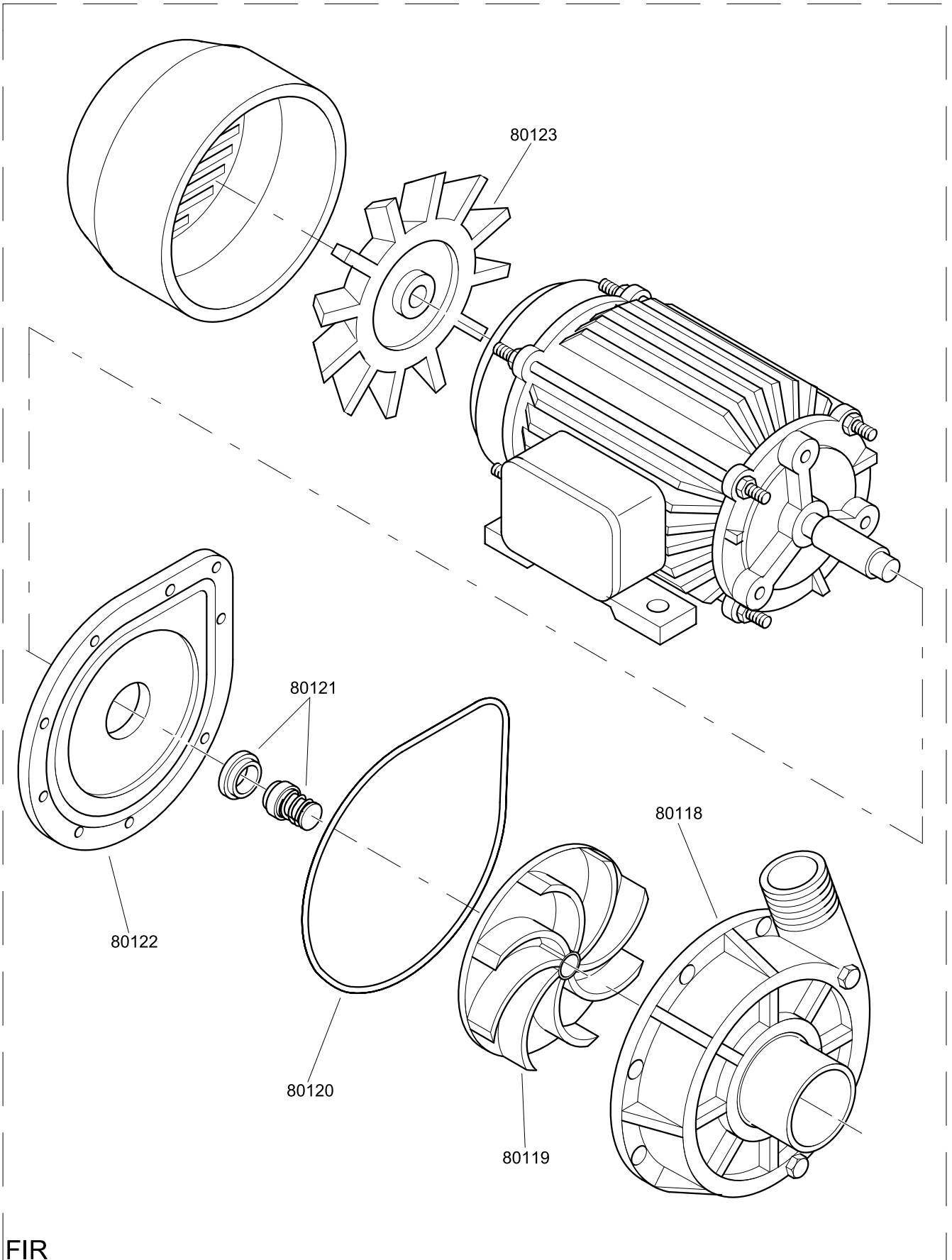
71b



LGB

80116 (AM5225)

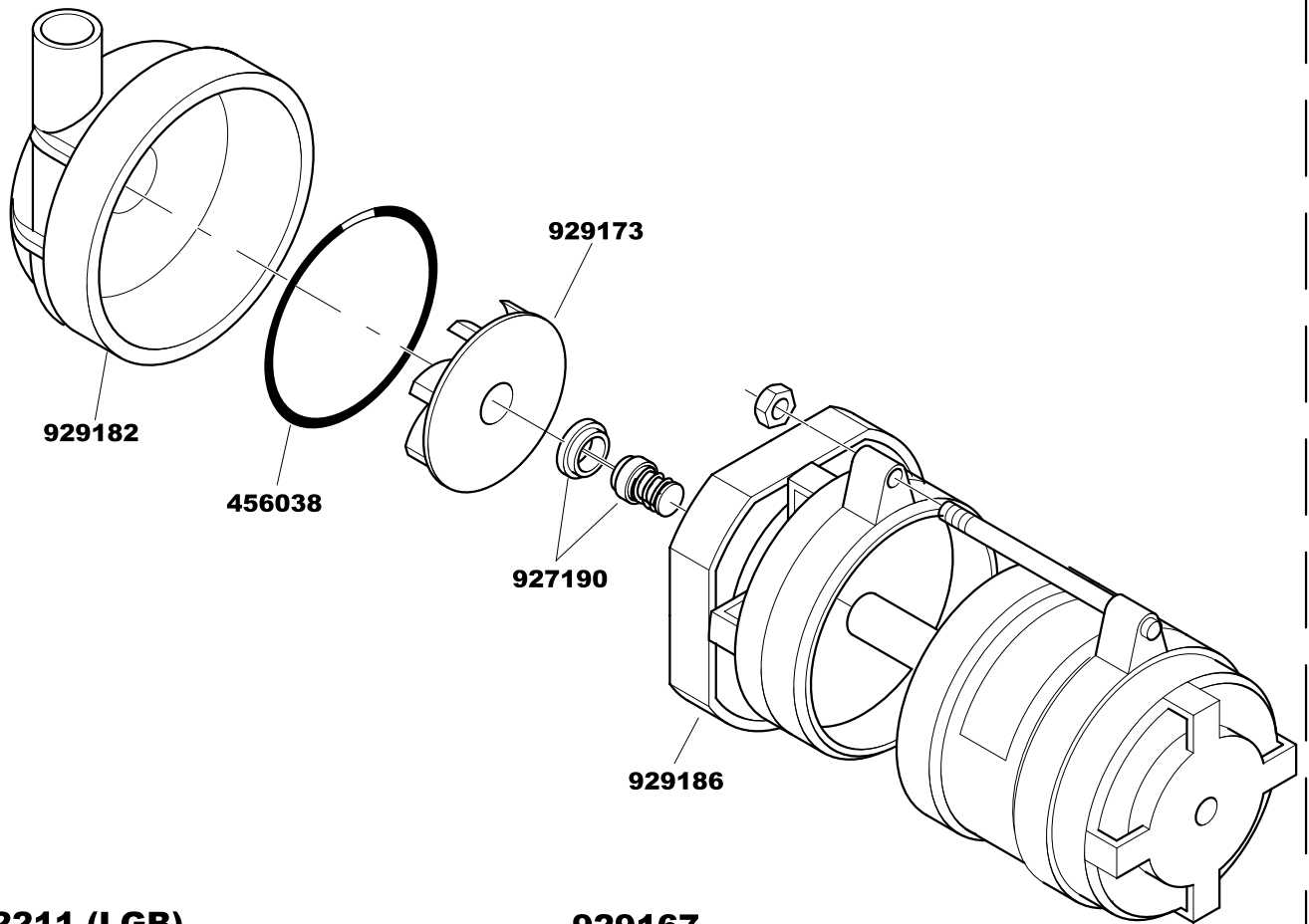
74b



FIR

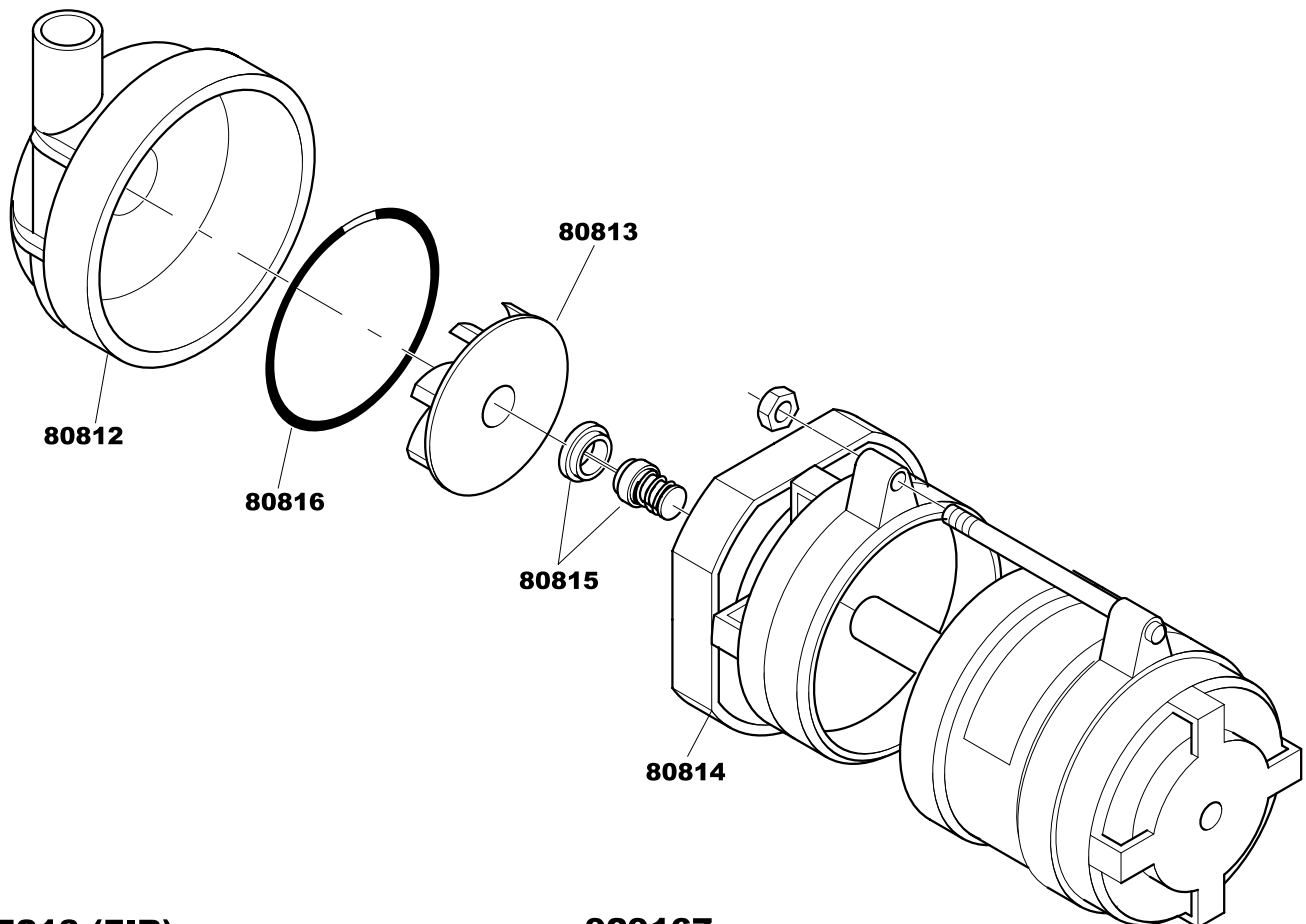
80115 (5295.4050)

74b



**2211 (LGB)**

**929167**



**5213 (FIR)**

**929167**