

easicook.co.uk

Spare Parts Manual

**Leading UK Distributors
of Catering Equipment Since 1977**

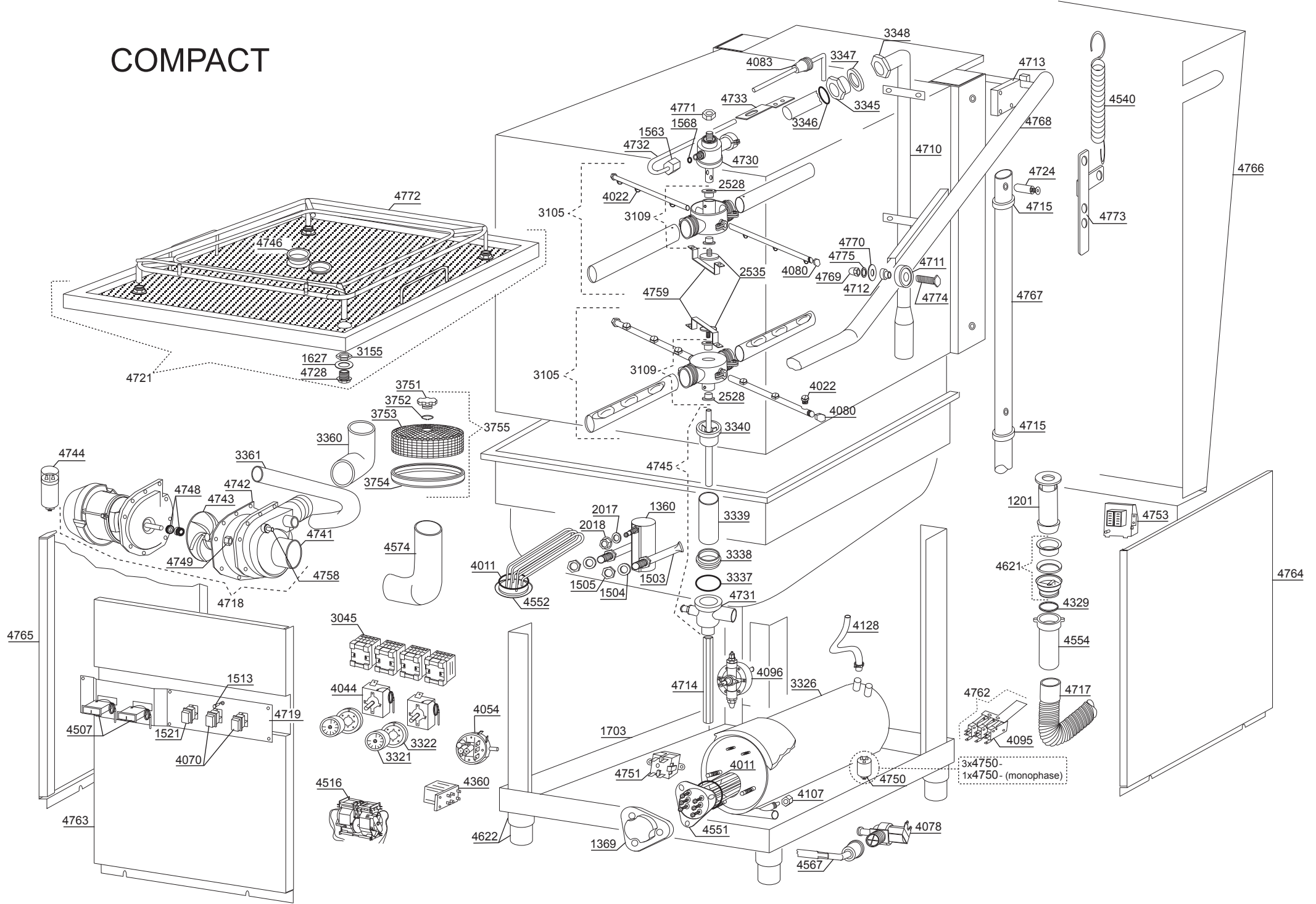
Sales - Repairs - Spares

Tel: 029 20747567

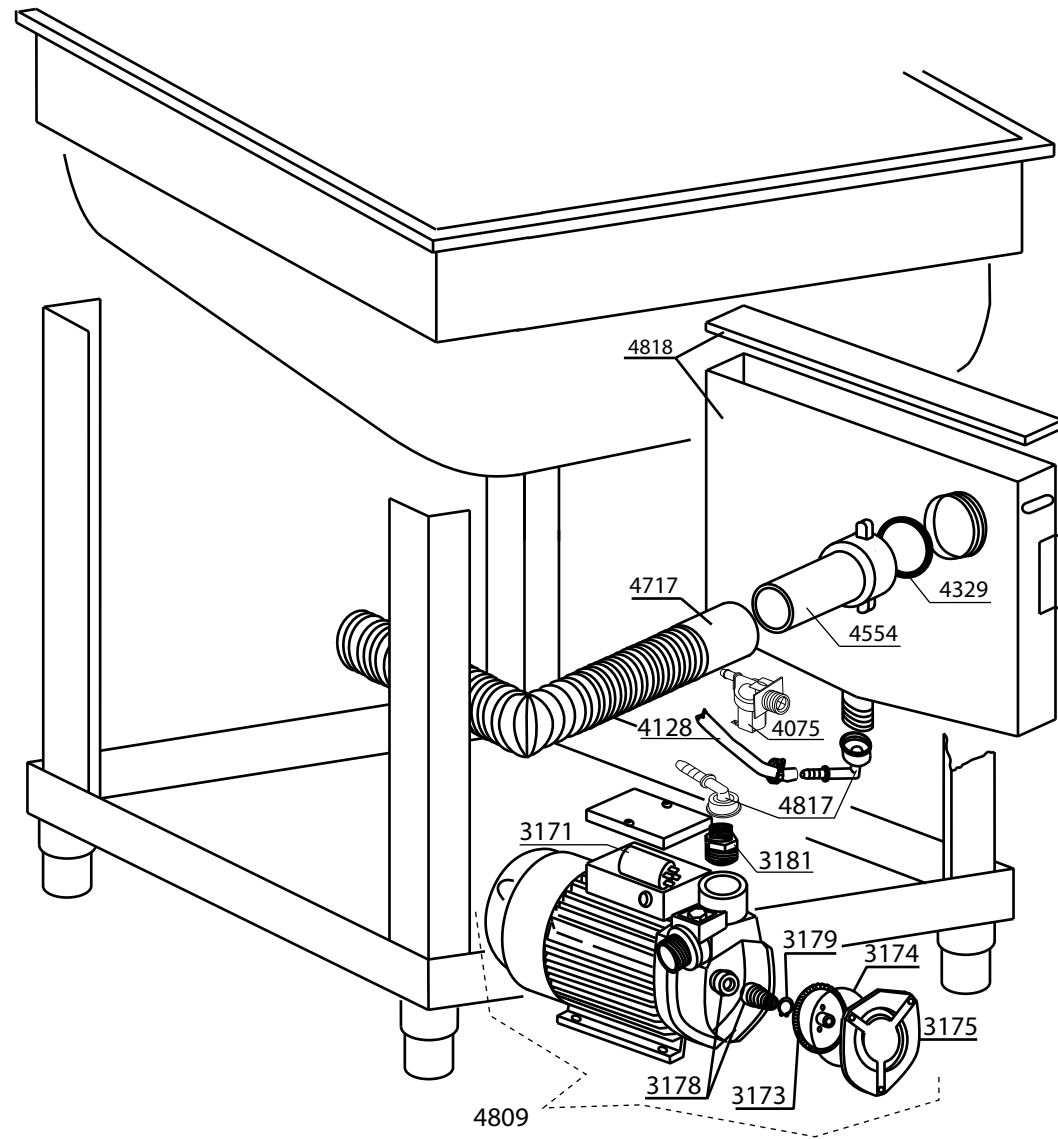
Fax: 029 20214100

Email: info@easicook.co.uk

COMPACT



COMPACT Break Tank



COMPACT

Serial # 85069 onwards

