

easicook.co.uk

Spare Parts Manual

Leading UK Distributors
of Catering Equipment Since 1977

Sales - Repairs - Spares

Tel: 029 20747567

Fax: 029 20214100

Email: info@easicook.co.uk

DISHWASHER

ELECTROMECHANICAL SWITCHES
LOWER WASHING
LOWER AND UPPER WASHING

TYPE: 30U

Accessories

DVGW

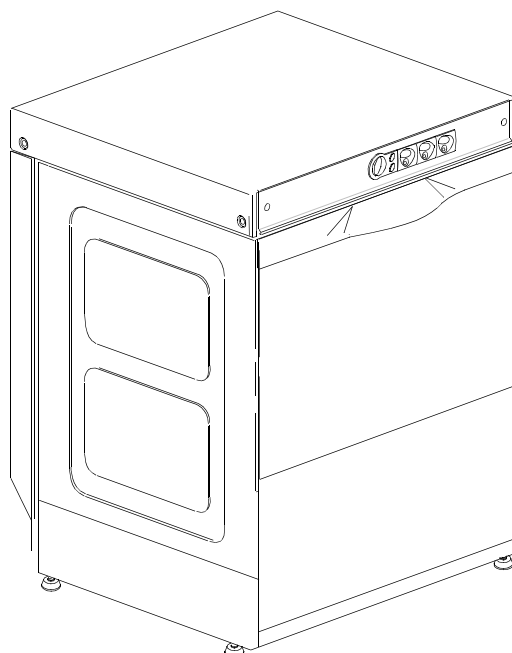
COLD RINSE

WATER SOFTNER

DETERGENT DISPENSER

DRAIN PUMP

Spare parts manual



1. Spare parts

General body parts.....	7
Lockup system	9
Control panel	11
Control electric components.....	13
Solenoid valve group	15
Solenoid valve group	17
DVGW	19
Water softner group.....	21
Shining product dosing device group .	23
Boiler group	25
3 ways derivation	27
4 ways derivation	29
Wash pump	31
Wash pump	33
Dosing device group	35
Drain pump group.....	37

Pressure switch group with air trap ...39

Turret group with rotating arms41

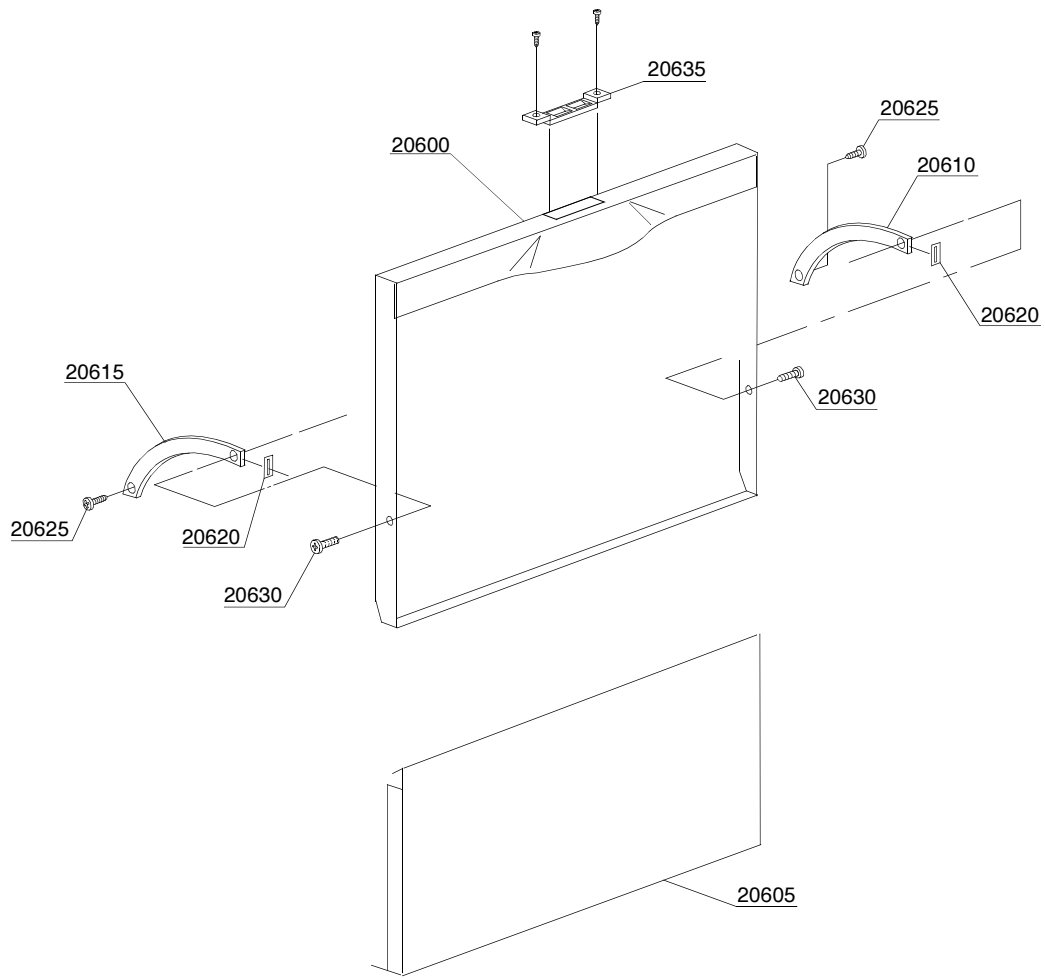
Turret group with rotating arms43

1.1 Voltage codes

Voltage code	Voltage
A	3/N/PE~400/230V 50Hz
B	~250V 16A 50Hz
C	3/N/PE~380/220V 50Hz
D	3/PE~200V 50-60Hz
F	2/PE 220-240V 50Hz
G	3/N/PE~415/240V 50Hz
H	3/PE~230V 50Hz
I	3/PE~220V 60Hz
J	3/PE~380 50Hz
K	3/PE~400V 50Hz
L	3/PE~415V 50Hz
M	3/PE~440V 60Hz
N	3/PE~460V 60Hz
O	3/PE~480V 60Hz
P	1/N/PE~220-240V 50Hz
R	2/PE~220-230V 60Hz
S	3/N/PE~400/230V 50Hz
T	3/PE~230V 60Hz

1.2 Product codes

Product code	Full name
Model codes	
em	ELECTROMECHANICAL SWITCHES
cf	LOWER WASHING
ls	LOWER AND UPPER WASHING
Type codes	
30U	30U
Accessory codes	
dvgw	DVGW
fs	COLD RINSE
d	WATER SOFTNER
dde	DETERGENT DISPENSER
ps	DRAIN PUMP

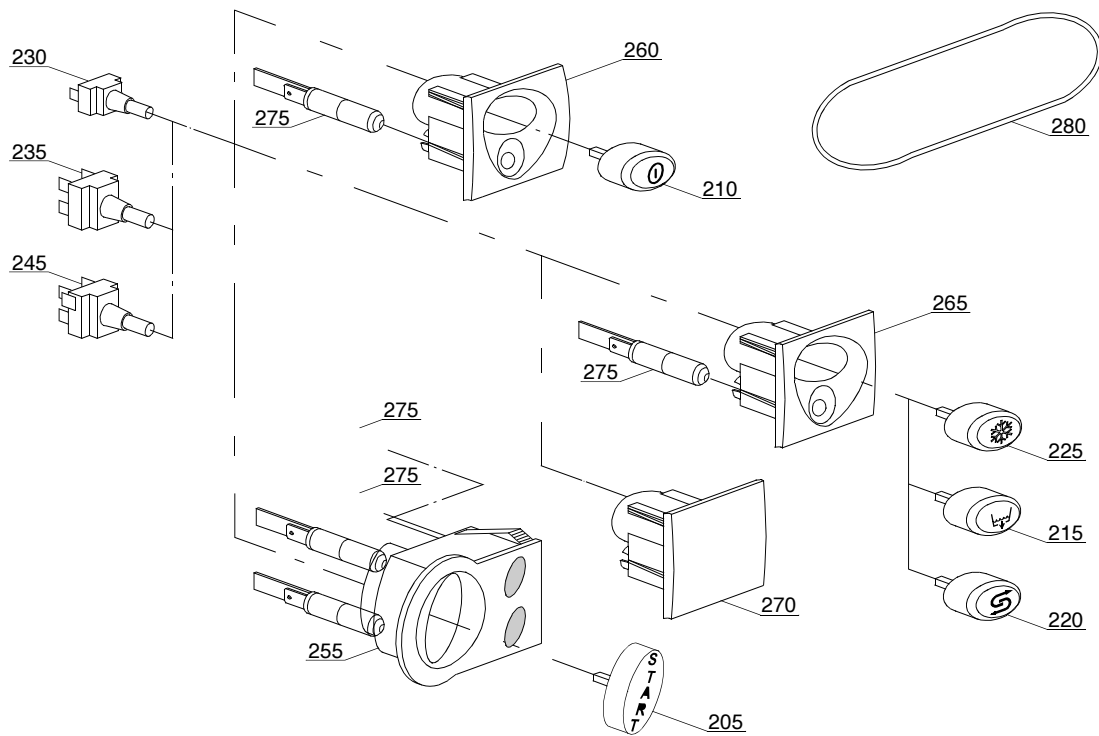
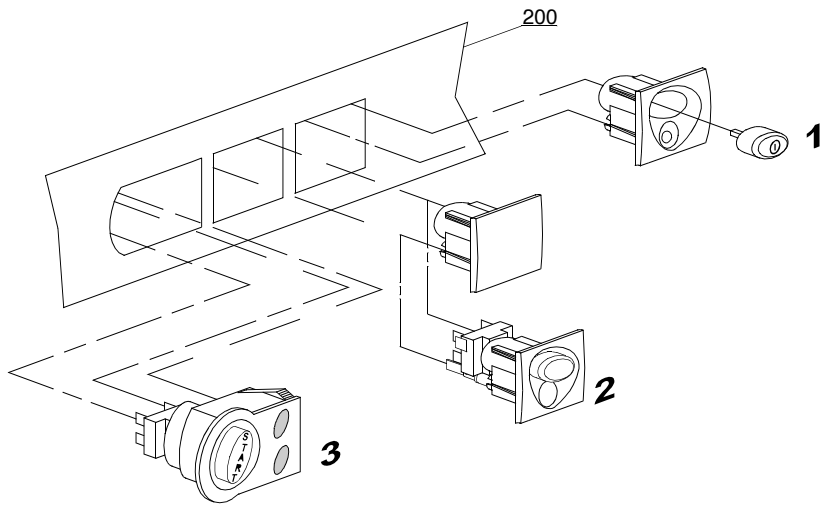


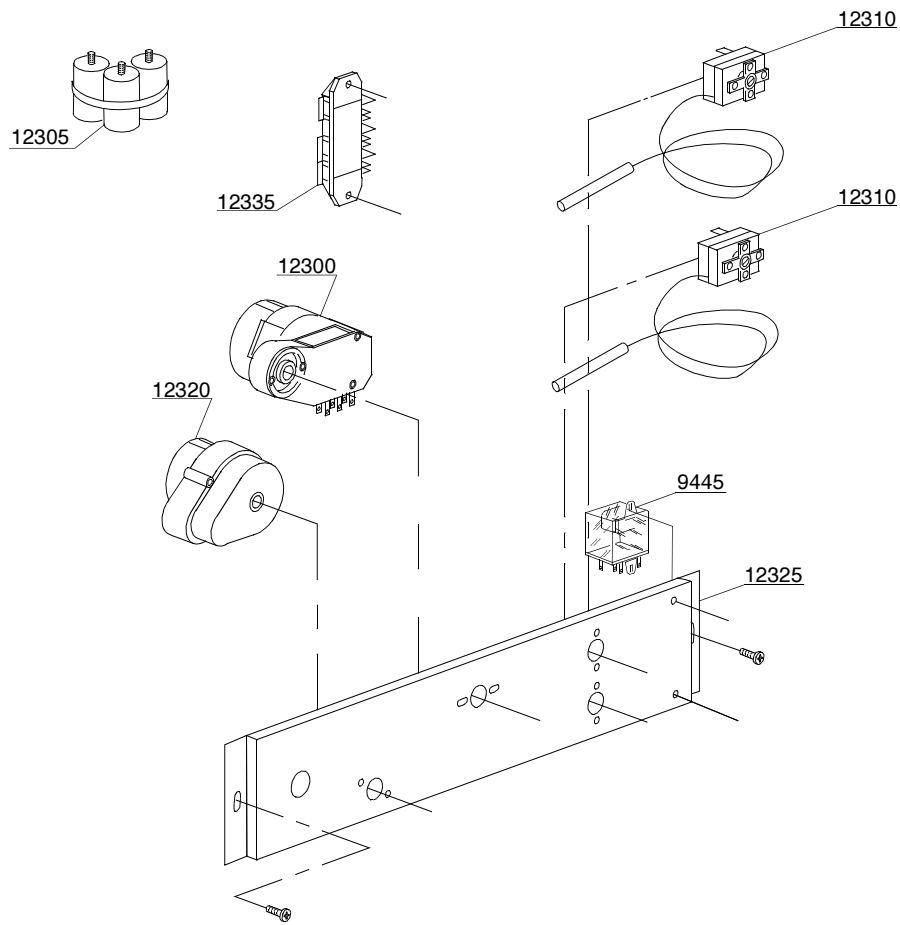
02_124_e

Spare parts

ID	P-code	Model	Type	Accessory	Voltage	Description
MODULE:Lockup system						
20600	375925		30U			Door
20605	375917		30U			Lower door
20610	135221		30U			Right door rod
20615	135221/A		30U			Left door rod
20620	135222		30U			Hinge door seal
20625	11121		30U			Self-tapping screw
20630	11139		30U			Stainless steel screw
20635	150402/D		30U			Door jack

03_009_e

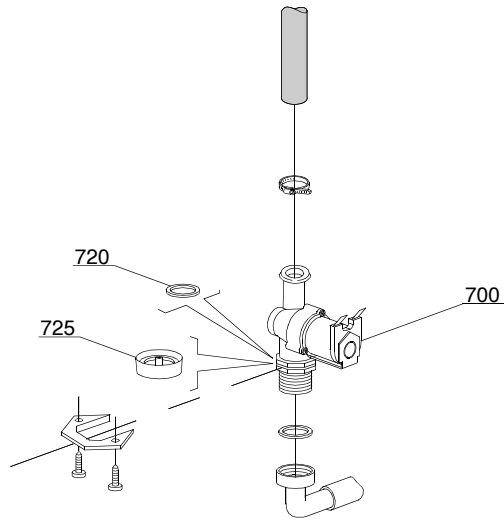




04_024_e

Spare parts

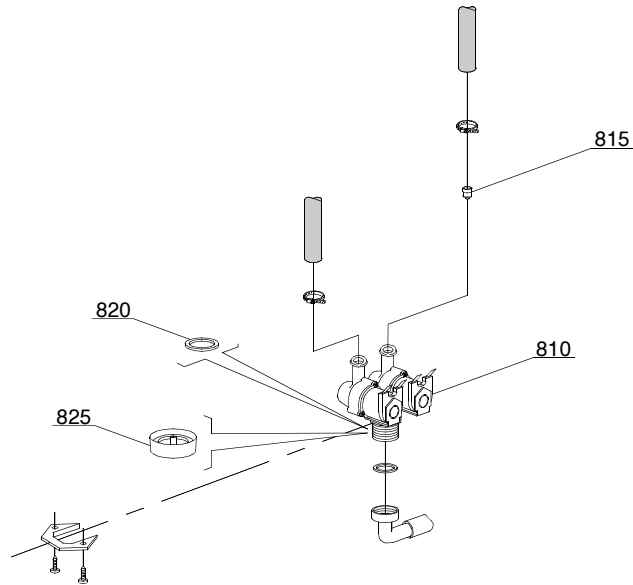
ID	P-code	Model	Type	Accessory	Voltage	Description
MODULE:Control electric components						
20700	10708/L		30U		A	120" timer
20700	10708/B		30U			120" timer - 220Vac 60Hz
20705	15146		30U			Low noise filter
20710	10707/1		30U			0-90°C thermostat
20715	16064/A		30U	ws		Regeneration timer
20720	375907		30U			Electric components panel
20725	15620		30U	dp		Bipolar relay in deviation
20730	500550		30U			3 poles terminal board



05_002_e

Spare parts

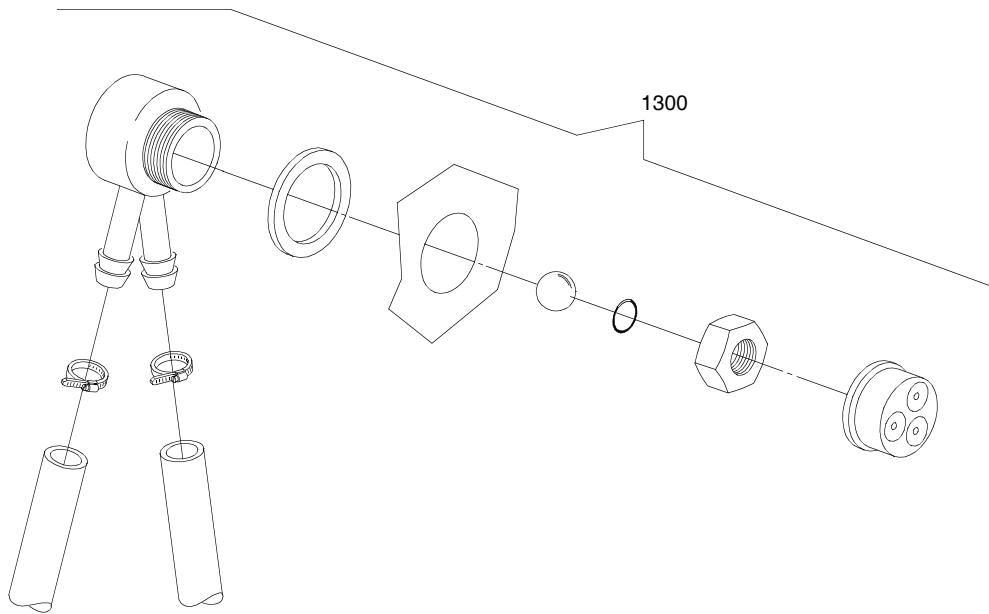
ID	P-code	Model	Type	Accessory	Voltage	Description
MODULE:Solenoid valve group						
700	10703		30U			Single solenoid valve
720	N.C.		30U			Pression reducing valve



05_003_e

Spare parts

ID	P-code	Model	Type	Accessory	Voltage	Description
MODULE:Solenoid valve group						
810	15098		30U	cr,ws		Double solenoid valve - O10
815	15115		30U	cr,ws		Green pression solenoid valve
820	N.C.		30U	cr,ws		Pression reducing valve

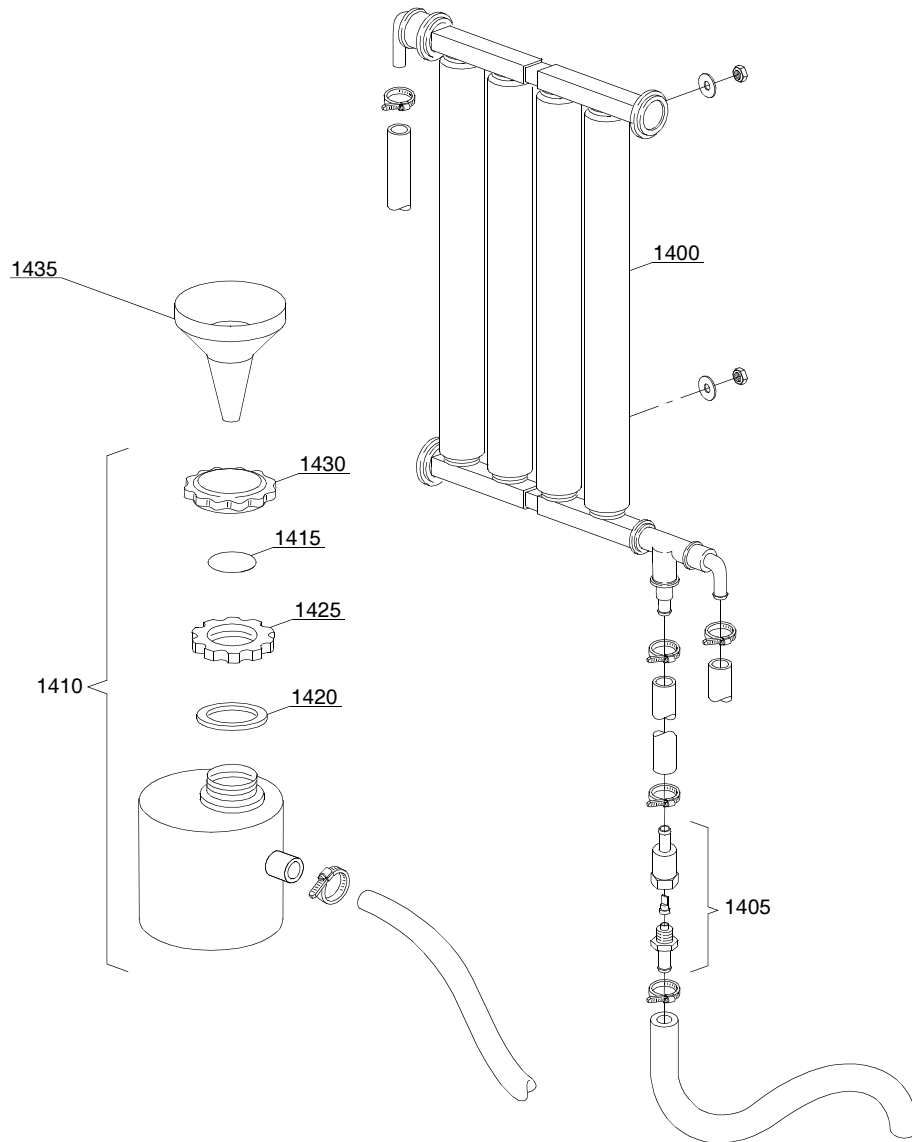


08_005_e

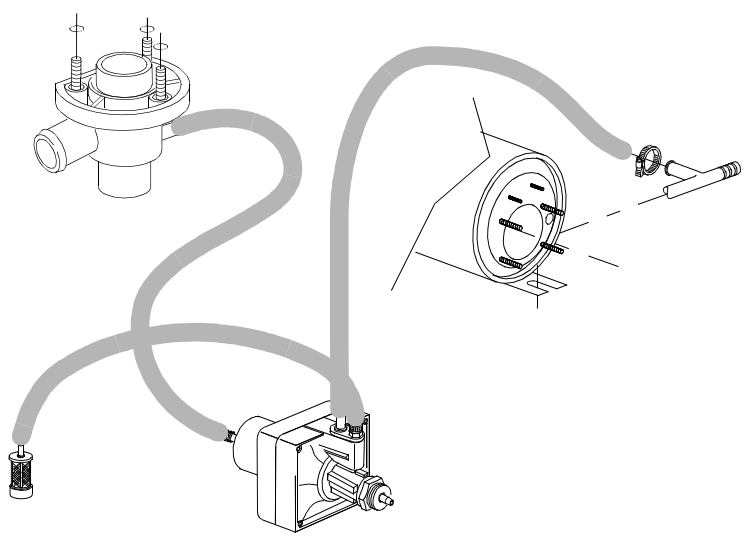
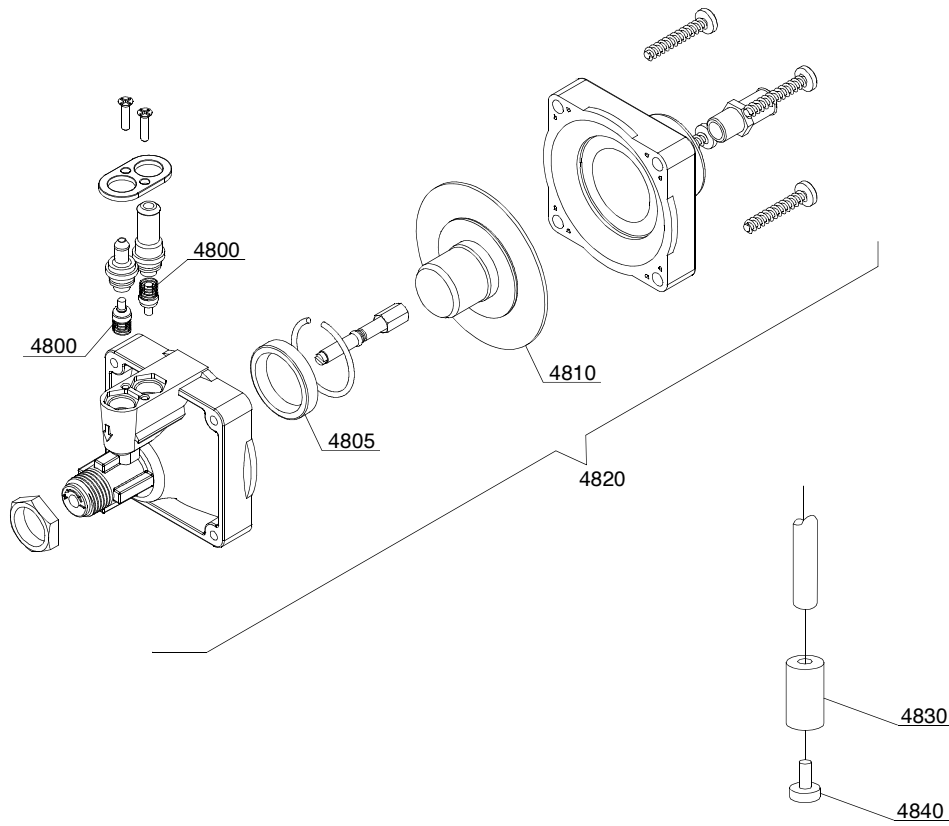
Spare parts

ID	P-code	Model	Type	Accessory	Voltage	Description
MODULE: DVGW						
1300	999900006		30U	dvgw		DVGW assembly

09_001_e



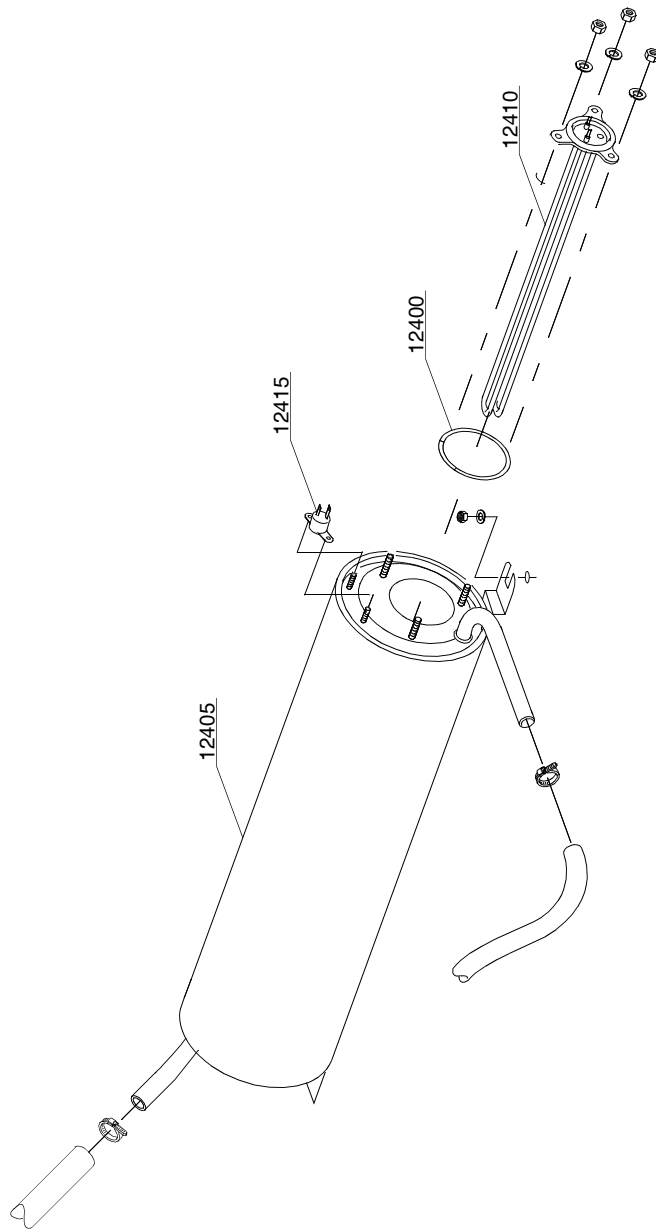
ID	P-code	Model	Type	Accessory	Voltage	Description
MODULE:Water softner group						
1400	16066		30U	ws		4 elements water softner
1405	16070		30U	ws		Nonreturn valve
1410	16065		30U	ws		Salt container
1415	16067/A		30U	ws		OR gasket
1420	16067/B		30U	ws		Gasket
1425	16067/C		30U	ws		Ring nut
1430	16067/D		30U	ws		Plug
1435	16082		30U	ws		Funnel



10_004_e

Spare parts

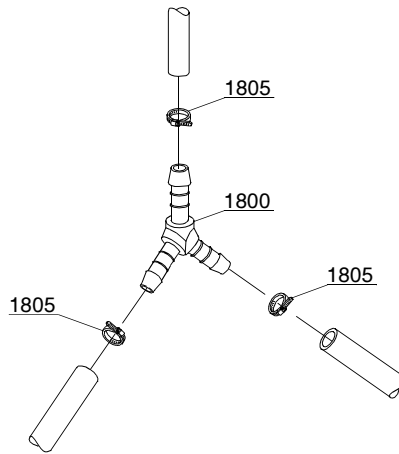
ID	P-code	Model	Type	Accessory	Voltage	Description
MODULE:Shining product dosing device group						
4800	10805		30U			Tecnopro dosing valve
4805	10806		30U			O22 gasket
4810	10807		30U			Membrane
4820	10799		30U			Shining product dosing device
4830	12525		30U			Counter-weight
4840	15058		30U			Small filter



11_007_e

Spare parts

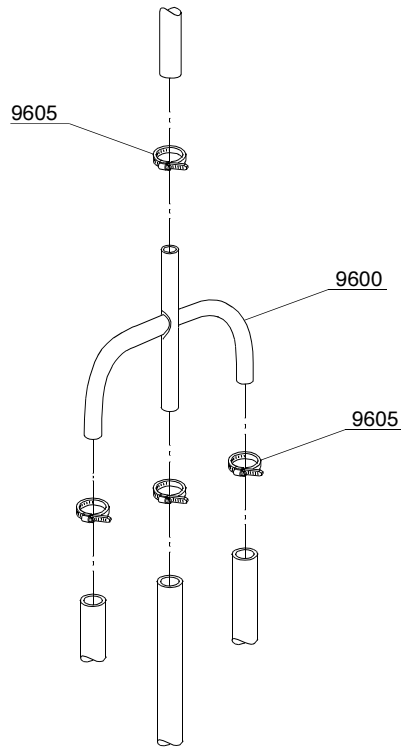
ID	P-code	Model	Type	Accessory	Voltage	Description
MODULE:Boiler group						
12400	13010		30U			OR gasket
12405	135905		30U			Boiler
12410	18206		30U			2,4KW heating element
12415	15550		30U			Safety thermostat



12_003_e

Spare parts

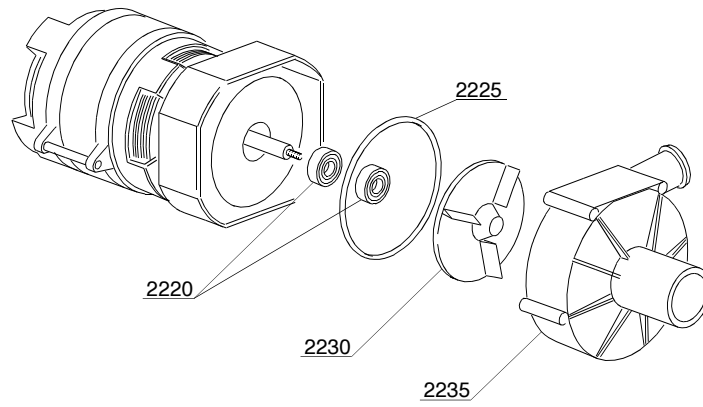
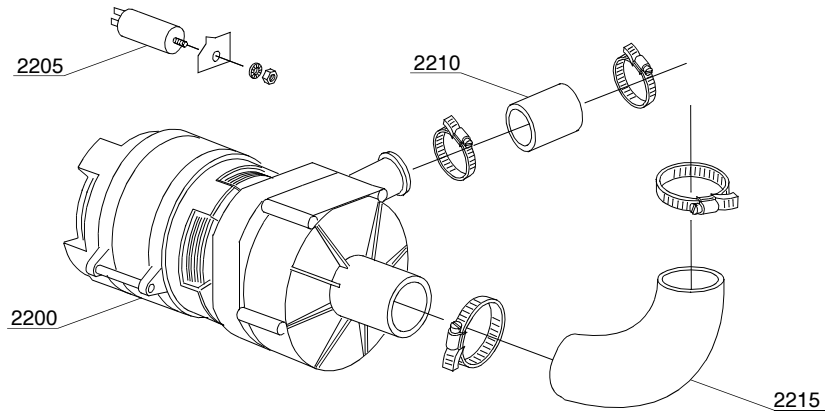
ID	P-code	Model	Type	Accessory	Voltage	Description
MODULE:3 ways derivation						
1800	540090		30U			O10 mm plastic 3 ways derivation
1805	11807		30U			12/22 clamp



12_004_e

Spare parts

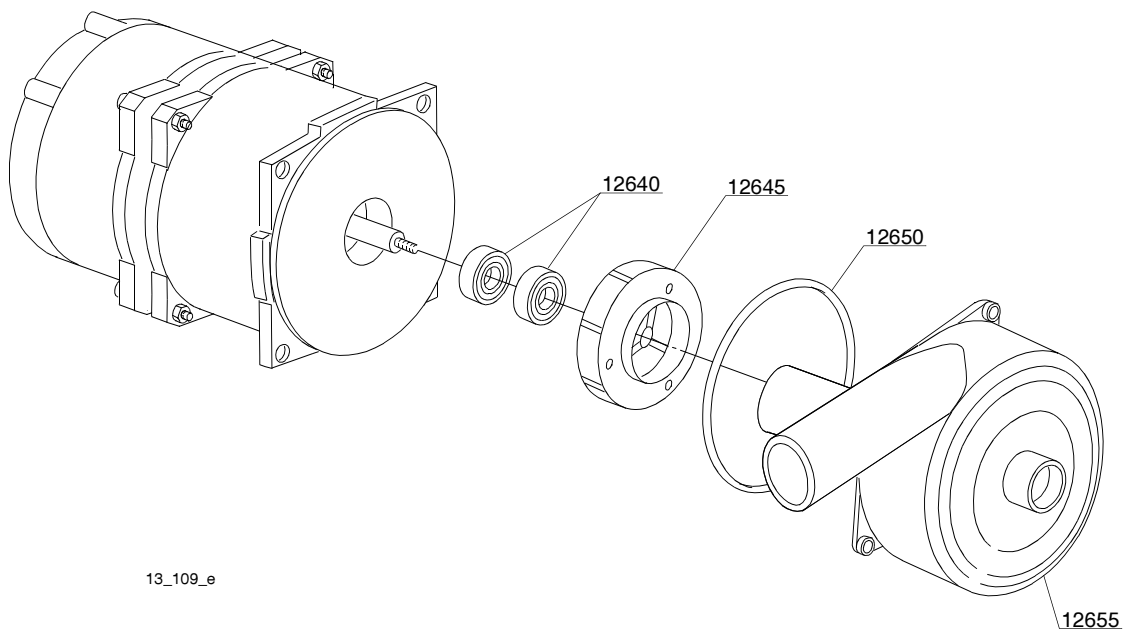
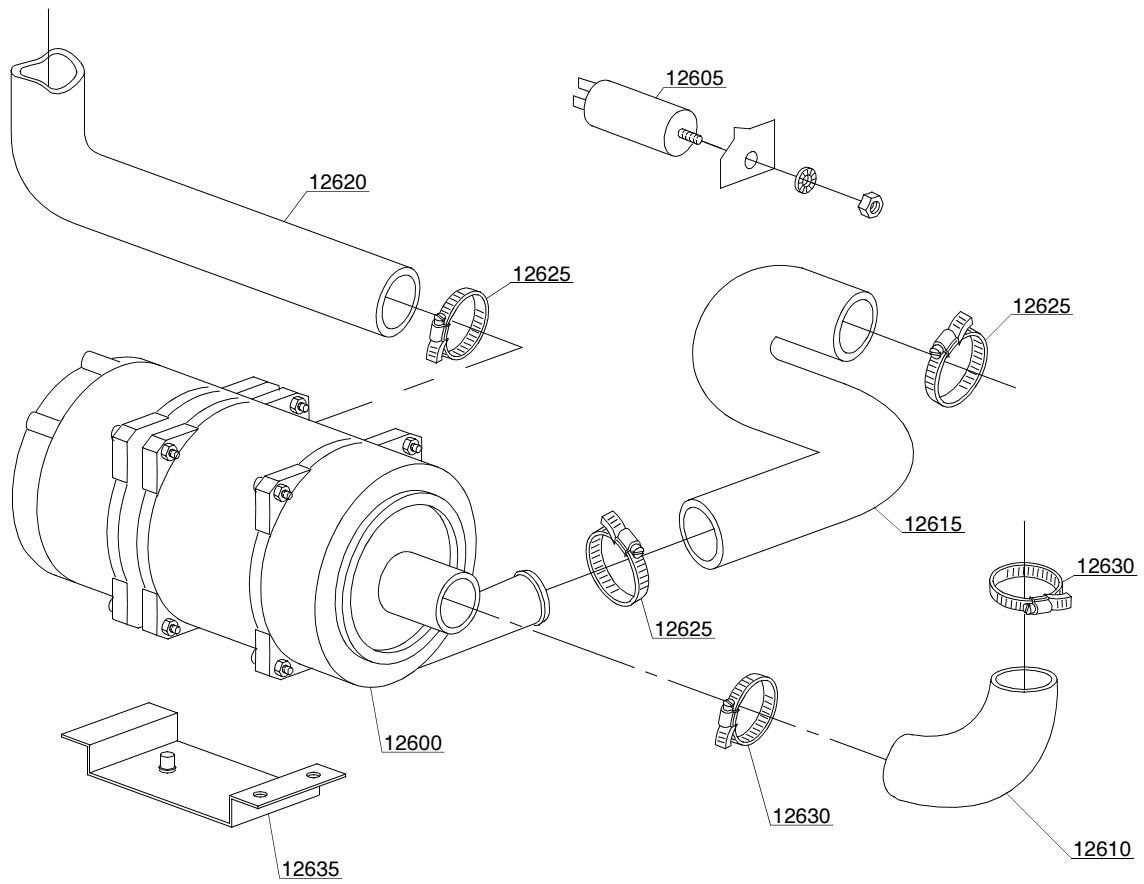
ID	P-code	Model	Type	Accessory	Voltage	Description
MODULE:4 ways derivation						
9600	15151		30U	cr		O10 mm 4 ways derivation
9605	11807		30U			12/22 clamp



13_002_e

Spare parts

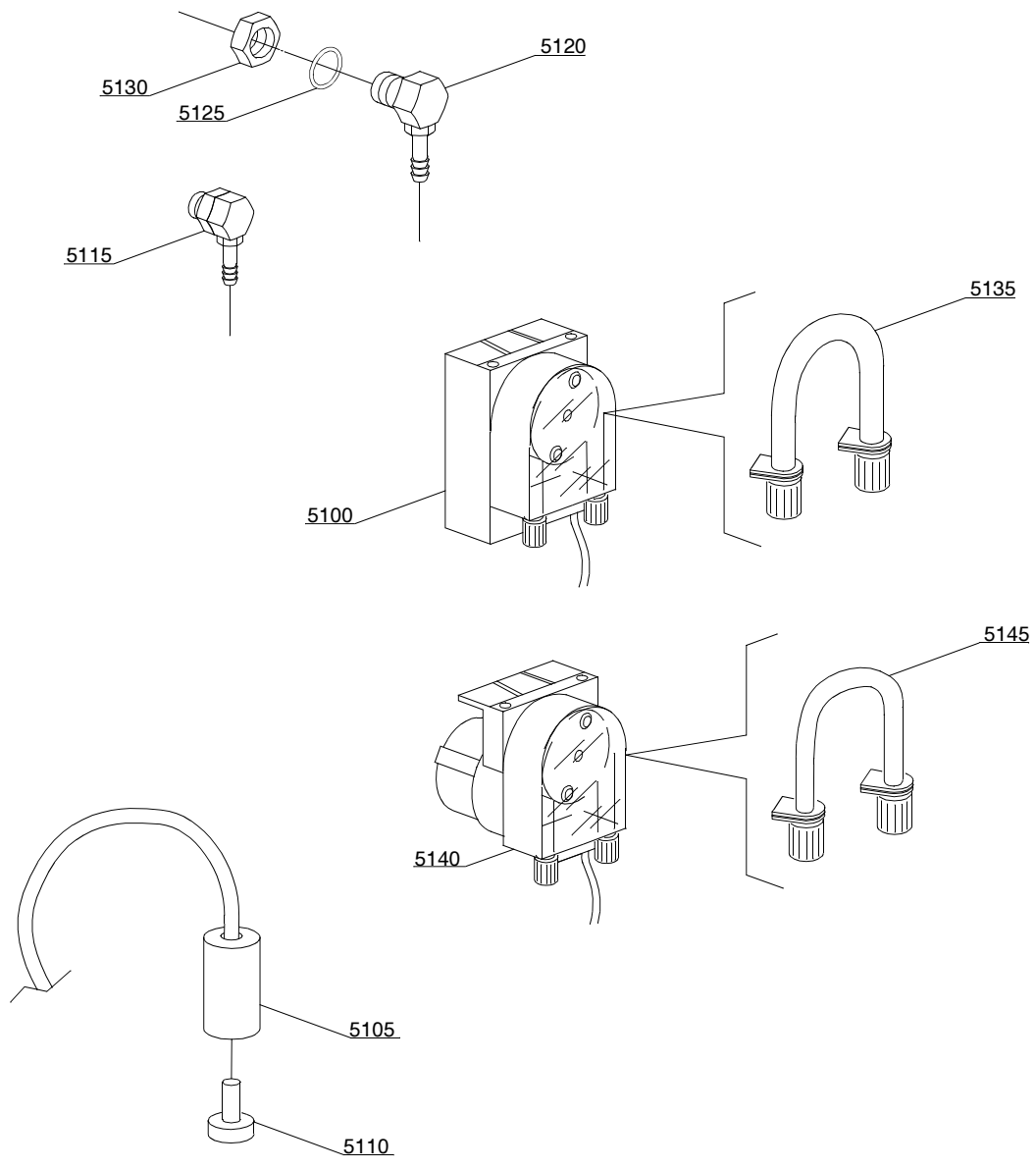
ID	P-code	Model	Type	Accessory	Voltage	Description
MODULE:Wash pump						
2200	10501/A		30U			0,10 Hp wash pump
2200	10501/D		30U			0,10 Hp wash pump - 220VAc 60Hz
2205	10702		30U			5 uF condenser
2210	10718		30U			Pump pipe coupling
2215	18787		30U			Suction pipe coupling
2220	10505		30U			Pump shaft gaskets
2225	10506		30U			79,8x2,6 OR gasket
2230	10504		30U			Pump rotor
2235	10502		30U			Scroll



13_109_e

Spare parts

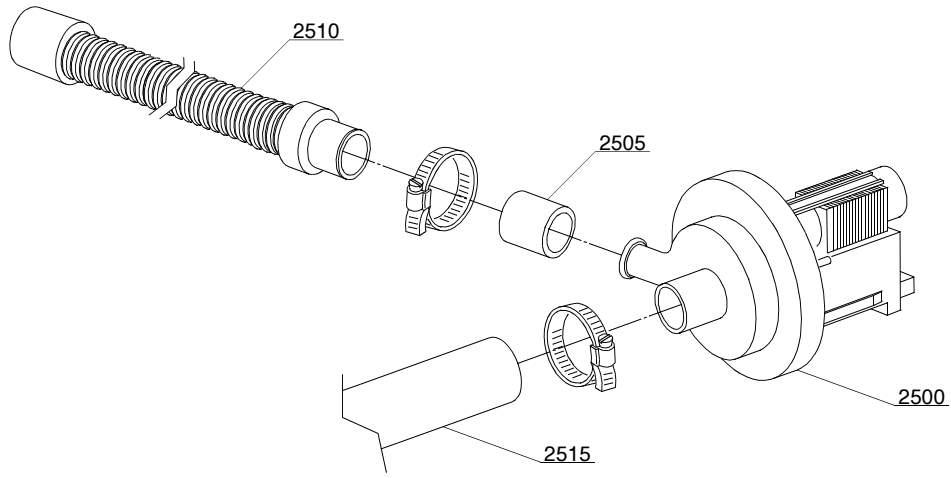
ID	P-code	Model	Type	Accessory	Voltage	Description
MODULE:Wash pump						
12600	18242/B		30U			0,30Hp wash pump
12605	16043		30U			8 uF condenser
12610	18787		30U			Suction pipe coupling
12615	16167		30U			Lower wash delivery pipe:part of wash ramp
12620	16167		30U			Wash ramp
12625	11806		30U			25/40 clamp
12630	11809		30U			30/45 clamp
12640	15080		30U			Rotating seals
12645	18259		30U			Scroll
12650	18245		30U			OR gasket
12655	18247		30U			Scroll



14_004_e

Spare parts

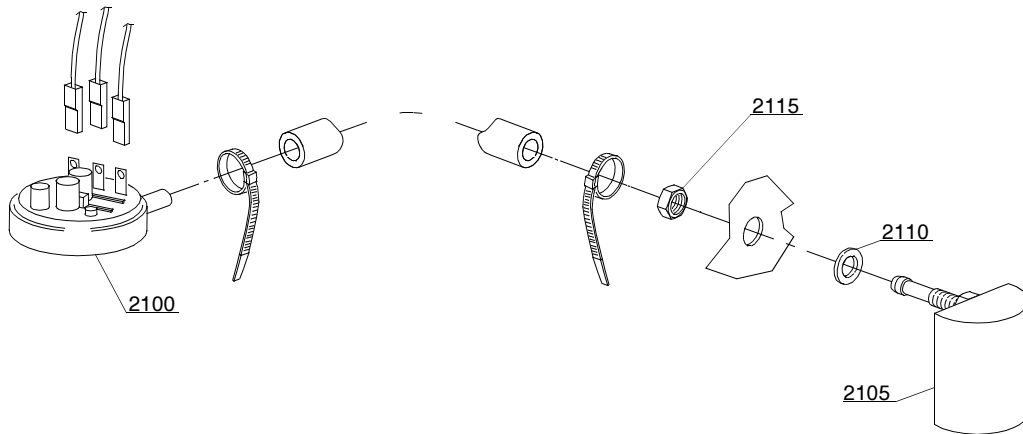
ID	P-code	Model	Type	Accessory	Voltage	Description
MODULE:Dosing device group						
5100	15985		30U	dd		Seko dosing device
5105	12525		30U	dd		Counter-weight
5110	15058		30U	dd		Small filter
5115	15123		30U	dd		Compleat plastic injector
5120	15148		30U	dd		Steel injector
5125	15159		30U	dd		OR gasket
5130	10200205		30U	dd		M12x1 stainless steel nut
5135	15185		30U	dd		Seko thermoplastic pipe
5140	15985		30U	dd		Germac dosing device
5145	15108/E		30U	dd		Germac thermoplastic pipe



15_004_e

Spare parts

ID	P-code	Model	Type	Accessory	Voltage	Description
MODULE:Drain pump group						
2500	15101		30U	dp		Drain pump
2505	15101/D		30U	dp		Pipe fitting
2510	10727		30U	dp		Drain pipe
2515	18787/A		30U	dp		Drain coude/pump connection pipe



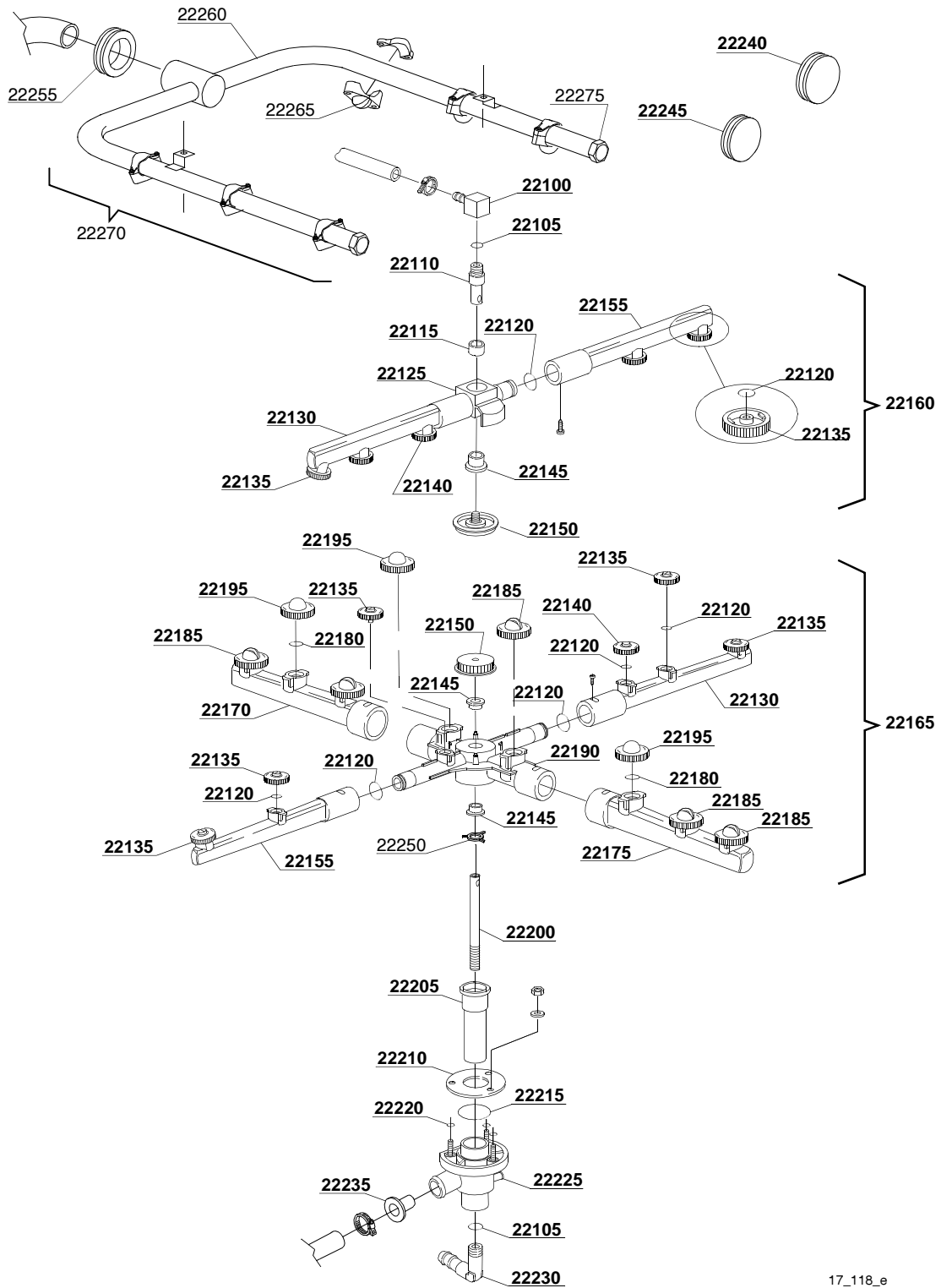
16_001_e

Spare parts

ID	P-code	Model	Type	Accessory	Voltage	Description
MODULE:Pressure switch group with air trap						
2100	10706/A		30U			47-27 pressure switch
2105	10911/D		30U			Air trap assembly
2110	13301		30U			Gasket
2115	11702		30U			M8 stainless steel nut

Spare parts

ID	P-code	Model	Type	Accessory	Voltage	Description
MODULE:Turret group with rotating arms						
21100	350402		30U			Top turret rinse hub
21105	13003		30U			OR 112 NBR gasket
21110	350401		30U			Lower axle rinse hub
21115	13320		30U			Sliding washer
21120	13002		30U			OR R6 NBR gasket
21125	10359		30U			Rinse rotor
21130	10361		30U			Left rinse pipe
21135	12537		30U			Opened head rinse nozzle
21140	12538		30U			Closed head rinse nozzle
21145	13319		30U			Sliding washer
21150	10365		30U			Handle with insert
21155	10360		30U			Right rinse pipe
21160	10996		30U			Top rinse group
21165	10998		30U			Lower wash/rinse group
21170	10355		30U			Right wash pipe
21175	10356		30U			Left wash pipe
21180	13009		30U			OR 2050 NBR gasket
21185	10357		30U			Opened head wash nozzle
21190	10364		30U			Wash rotor
21195	10358		30U			Closed head wash nozzle
21200	135101		30U			10x1x190 stainless steel ground axle
21205	135250		30U			Bell-shape assembly with pipe coupling
21210	16038		30U			O60 stainless steel disk
21215	13000		30U			OR 3125 NBR gasket
21220	13001		30U			OR 104 NBR gasket
21225	10205/A		30U			Lower wash turret
21230	12030		30U			3/8M O12 elbow pipe fitting
21235	18249		30U			Flux reducer
21240	13316/A		30U			DVGW hole gasket
21245	13316		30U			43x10 blind gasket
21250	10203		30U			Guide pipe



17_118_e

Spare parts

ID	P-code	Model	Type	Accessory	Voltage	Description
MODULE:Turret group with rotating arms						
22100	350402		30U			Top turret rinse hub
22105	13003		30U			OR 112 NBR gasket
22110	350401		30U			Lower axle rinse hub
22115	13320		30U			Sliding washer
22120	13002		30U			OR R6 NBR gasket
22125	10359		30U			Rinse rotor
22130	10361		30U			Left rinse pipe
22135	12537		30U			Opened head rinse nozzle
22140	12538		30U			Closed head rinse nozzle
22145	13319		30U			Sliding washer
22150	10365		30U			Handle with insert
22155	10360		30U			Right rinse pipe
22160	10996		30U			Top rinse group
22165	18995		30U			Lower wash/rinse group
22170	10355		30U			Right wash pipe
22175	10356		30U			Left wash pipe
22180	13009		30U			OR 2050 NBR gasket
22185	10366		30U			Opened head wash nozzle
22190	10364		30U			Wash rotor
22195	10358		30U			Closed head wash nozzle
22200	135101		30U			10x1x190 stainless steel ground axle
22205	135250		30U			Bell-shape assembly with pipe coupling
22210	16038		30U			O60 stainless steel disk
22215	13000		30U			OR 3125 NBR gasket
22220	13001		30U			OR 104 NBR gasket
22225	10205/A		30U			Lower wash turret
22230	12030		30U			3/8M O12 elbow pipe fitting
22235	12518		30U			Flux reducer
22240	13316/A		30U			DVGW hole gasket
22245	13316		30U			43x10 blind gasket
22250	10203		30U			Guide pipe
22255	13306/A		30U			Top wash ramp gasket
22260	137134		30U			Top wash pipe
22265	18135		30U			Wash nozzle
22265	10221		30U			Wash nozzle
22270	137903		30U			Top wash group
22275	12503		30U			Plug