

**easicook.co.uk**

**Spare Parts Manual**

**Leading UK Distributors  
of Catering Equipment Since 1977**

**Sales - Repairs - Spares**

**Tel: 029 20747567**

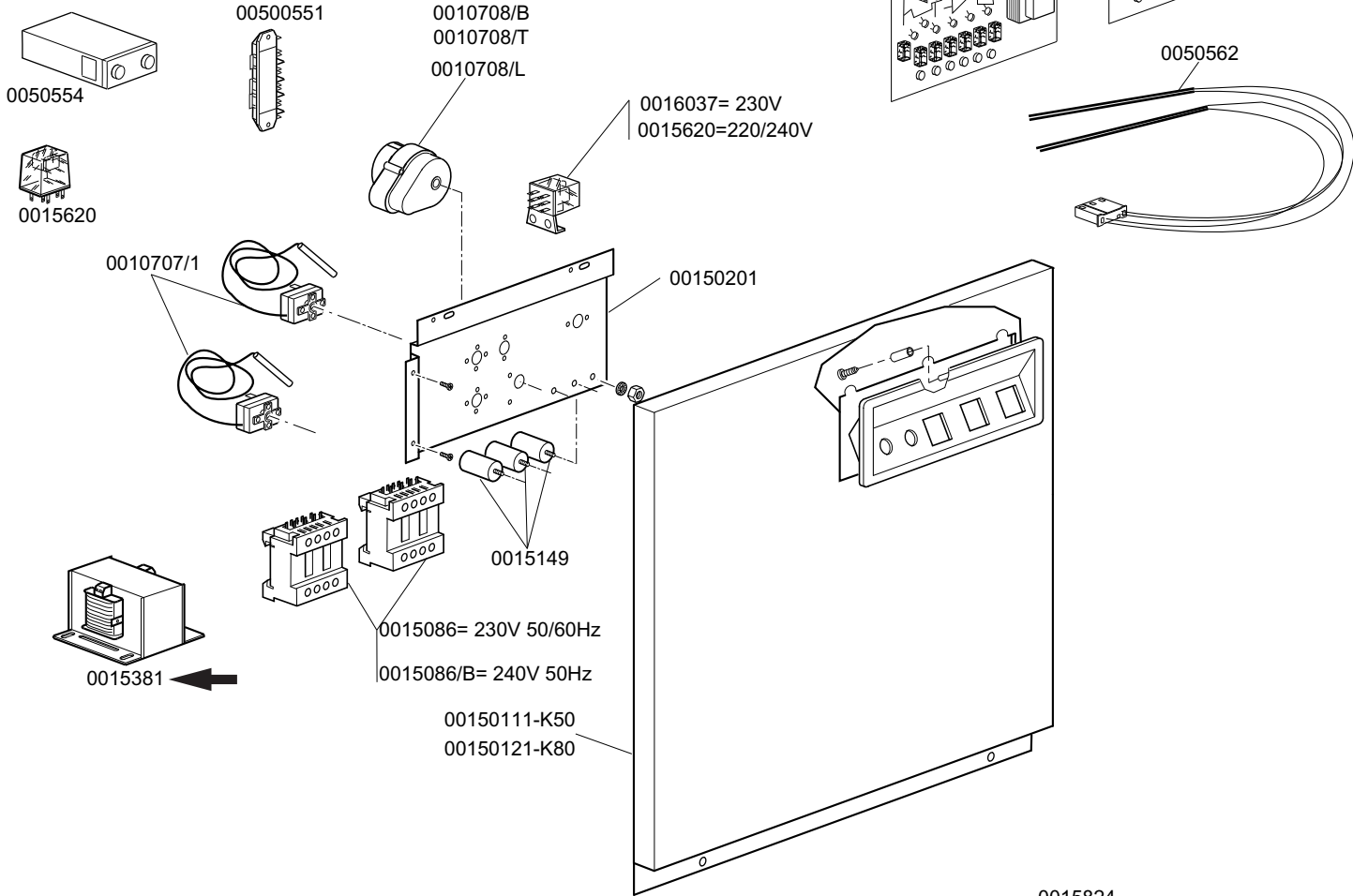
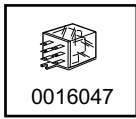
**Fax: 029 20214100**

**Email: [info@easicook.co.uk](mailto:info@easicook.co.uk)**

---

<b>KROMO</b>	<b>TABLE</b>	<b>REV</b>
	<b>KI4460</b>	<b>16</b>
<b>DISHWASHER K 45-50-80</b>		
<b>From serial Nr.01028172 on</b>		

REGENERATION / DRAIN PUMP VERSION



STANDARD CONTROL PANEL K-45/50/80

