

easicook.co.uk

Spare Parts Manual

Leading UK Distributors
of Catering Equipment Since 1977

Sales - Repairs - Spares

Tel: 029 20747567

Fax: 029 20214100

Email: info@easicook.co.uk

DISHWASHER

ELECTROMECHANICAL SWITCHES
LOWER AND UPPER WASHING

TYPE: AQU50

Accessories
BREAK TANK
BOOSTER PUMP
DVGW
COLD RINSE
WATER SOFTNER
DETERGENT DISPENSER
DRAIN PUMP

Spare parts manual



Parti di ricambio Spare Parts Catalogues pièces

INFORMAZIONI GENERALI

Questo catalogo serve per richiedere con esattezza le parti di ricambio

Nelle ordinazioni indicare:

1) il numero dei codici dei particolari seguito dalla descrizione e la quantità desiderata;

2) Il codice alfa-numeric presente nella seconda colonna della tabella ;

I disegni delle parti di ricambio sono solo indicativi e non rappresentano il pezzo in oggetto.

I dati contenuti in questo catalogo sono indicativi e possono essere soggetti a modifiche senza impegno di preavviso.

ALLGEMEINE INFORMATIONEN

Dieser Ersatzteilkatalog dient zur genauen Angabe der Teile bei Ersatzteilbestellungen.

Bei Ersatzbestellung ist folgendes anzugeben:

1) Die Bestellnummer der Ersatzteile mit der entsprechenden Beschreibung genaue Menge;

2) Der alpha-numerischer Code auf der zweiten Reihe in dein Spalte;

Die Zeichnungen der Ersatzteile sind nur als Hinweise gedacht und stellen nicht das betroffene Teil dar.

Bei den im Katalog angeführten Daten handelt es sich um Anhaltsdaten, die jederzeit, ohne Vorankündigung, geändert werden können.

GENERAL INFORMATION

The present spare parts order exactly the right spare parts

When ordering specify:

1) the part's code number followed by its description and quantity needed;

2) The alpha-numeric code is in the second column in the chart;

Spare parts drawings are general and do not represent the part.

The contents of this catalogue are general and can undergo changes without prior notice.

INFORMACIONES GENERALES

El presente catálogo sirve para pedir con exactitud las partes de repuesto

En los pedidos se debe indicar:

1) el número de código de la parte y a continuación la descripción cantidad deseada;

2) El código alfanumérico presente en la signada columna de la tabla;

Los diseños de las partes de recambio son solo indicativos y no representan la pieza en cuestión.

Los datos contenidos en el presente catálogo son indicativos y pueden modificarse sin aviso previo.

INFORMATIONS GENERALES

Ce catalogue permet de commander correctement les pièces détachées

Les commandes doivent être passées en indiquant:

1) le numero de code des pièces détachés suivi de leur description quantité désirée;

2) le code alphanumérique dans la deuxième colonne du tableau;

Les plans des pièces détachées sont fournis seulement à titre indicatif et ne représentent pas la pièce concernée.

Les données de ce catalogue sont citées seulement à titre indicatif et peuvent être l'objet de modifications sans avis préalable.

ESEMPIO EXAMPLE EXEMPLE BEISPIEL

Rif.	Codici
MODULE:Particolari	
10505	540903
10510	540908
10515	15065/A
10520	540086
10525	540028

Note

Tutte le informazioni riportate si intendono aggiornate alla data di stampa. Il Produttore si riserva il diritto di apportare qualsiasi modifica richiesta dallo sviluppo evolutivo dei suddetti prodotti.

Per la sicurezza, la garanzia, l'affidabilità ed il valore della lavastoviglie usa solo ricambi originali.

Attenzione

Questo libretto è parte integrante della lavastoviglie e, in caso di passaggio di proprietà, deve essere consegnato al nuovo acquirente.

Note

The information contained herein is valid at the time of going to print. The Company reserves the right to make any changes required by the future development of the above-mentioned products.

For your safety, as well as to preserve the warranty reliability and worth of your dishwashers, use original spare parts only.

Warning

This manual forms an integral part of the dishwashers and - if a transfer of title occurs - must always be handed over to the new owner.

Remarque

Toutes les informations contenues dans ce manuel s'entendent mises à jour à la date d'impression. En raison du développement constant de ses produits, usine se réserve le droit d'apporter à tout instant les modifications qu'elle jugera utiles.

Pour la sécurité, la garantie, la fiabilité et la valeur de votre lave-vaisselles n'utilisez que des pièces de rechange d'origine.

Attention

Ce manuel doit être considéré comme partie intégrante de la lave-vaisselles, en cas de transfert de propriété, doit toujours être remis au nouveau propriétaire.

Hinweis

Die Der Hersteller behält sich das Recht vor, jegliche, durch eine Weiterentwicklung der genannten Produkte bedingte Änderungen vornehmen zu können.

Verwenden Sie für Ihre Sicherheit, die Garantie, die Zuverlässigkeit und den Wert Ihrer machine originale Ersatzteile.

Achtung

Diese Betriebsanleitung ist Bestandteil des machine und muss bei seinem Weiterverkauf dem neuen Besitzer ausgehändigt werden.

1. Spare parts

General body parts.....	7
Lockup system	9
Control panel and switches.....	11
Electric control components.....	13
Solenoid valve group	15
Solenoid valve group	17
Break Tank	19
Booster pump.....	21
DVGW	23
Water softner group.....	25
Rinse aid dispenser group.....	27
Rinse aid dispenser group.....	29
Boiler group	31
3 ways connection	33
Wash pump	35
Dosing detergent group.....	37

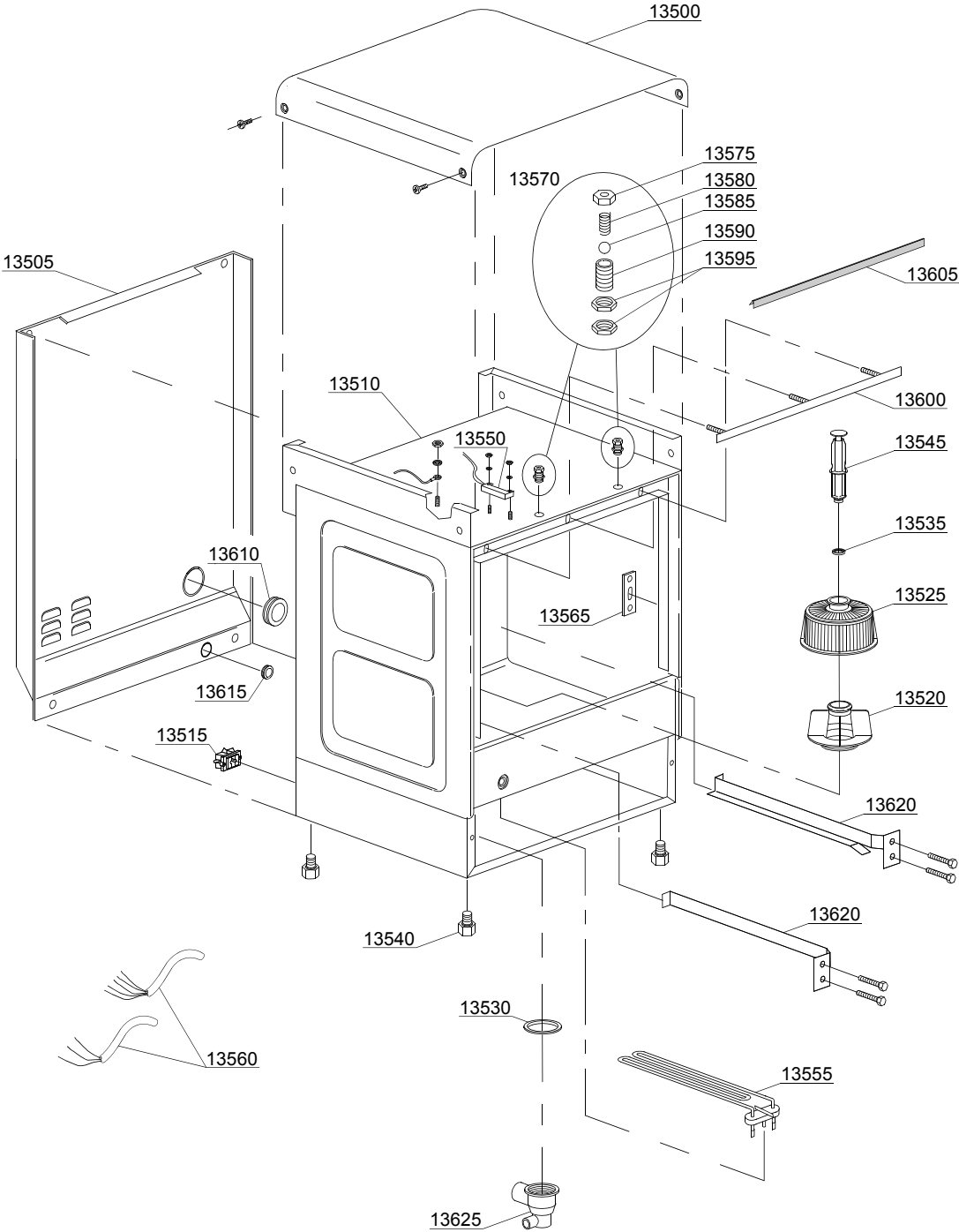
Dosing detergent group.....	39
Drain pump group.....	41
Pressure switch group with air trap ...	43
Turret group with rotating arms	45

1.1 Voltage codes

Voltage code	Voltage
A	3/N/PE~400/230V 50Hz
B	~250V 16A 50Hz
C	3/N/PE~380/220V 50Hz
D	3/PE~200V 50-60Hz
F	2/PE 220-240V 50Hz
G	3/N/PE~415/240V 50Hz
H	3/PE~230V 50Hz
I	3/PE~220V 60Hz
J	3/PE~380 50Hz
K	3/PE~400V 50Hz
L	3/PE~415V 50Hz
M	3/PE~440V 60Hz
N	3/PE~460V 60Hz
O	3/PE~480V 60Hz
P	1/N/PE~220-240V 50Hz
R	2/PE~220-230V 60Hz
S	3/N/PE~400/230V 50Hz
T	3/PE~230V 60Hz

1.2 Product codes

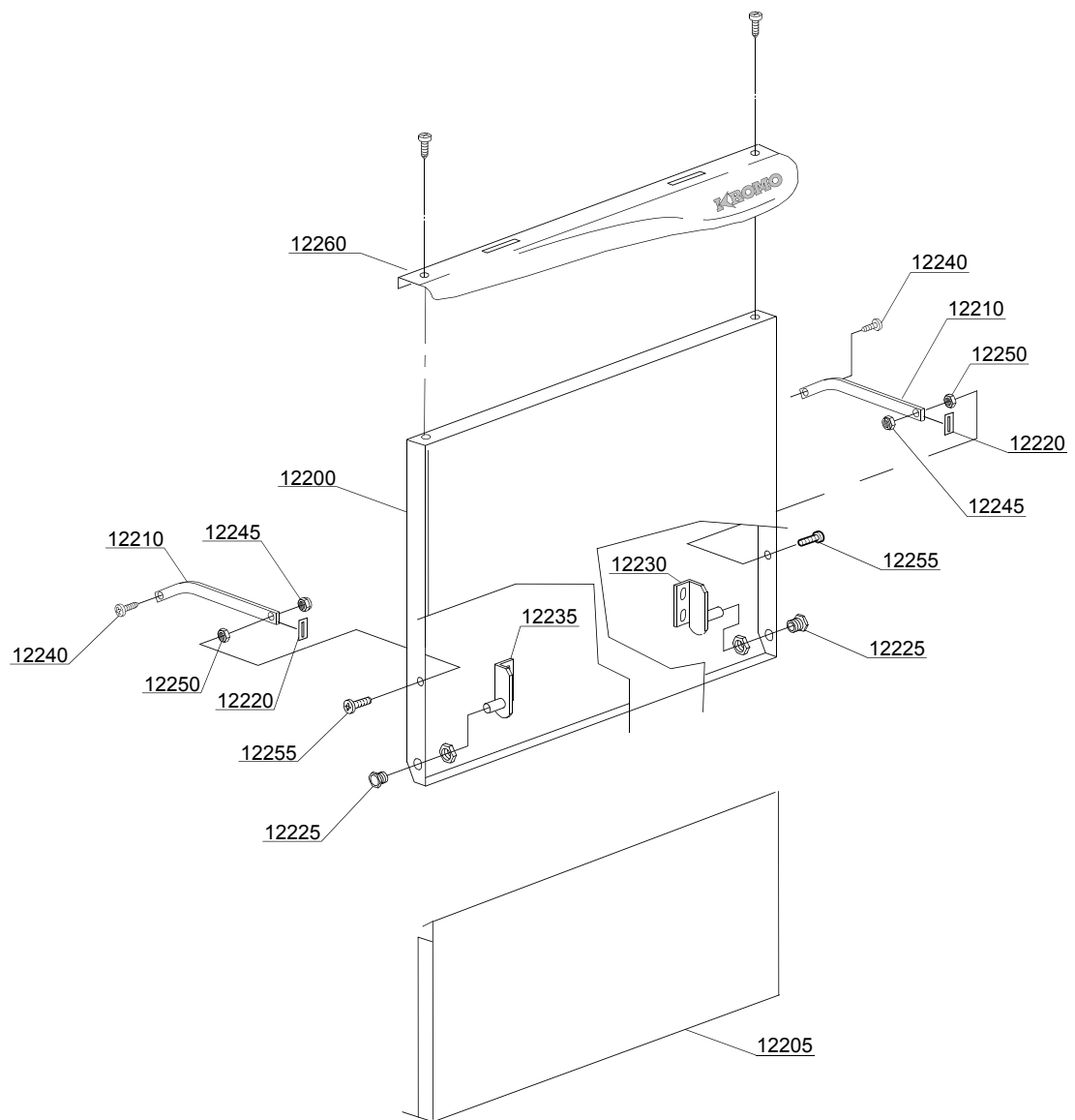
Product code	Full name
Model codes	
em	ELECTROMECHANICAL SWITCHES
ls	LOWER AND UPPER WASHING
Type codes	
AQU50	AQU50
Accessory codes	
bt	BREAK TANK
pap	BOOSTER PUMP
dvgw	DVGW
fs	COLD RINSE
d	WATER SOFTNER
dde	DETERGENT DISPENSER
ps	DRAIN PUMP



01_015ae

Spare parts

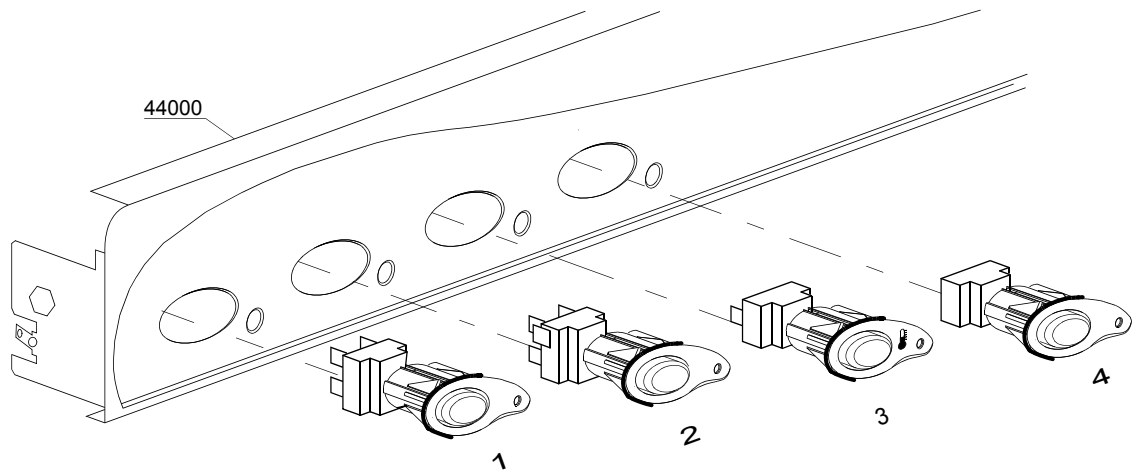
ID	P-code	Model	Type	Accessory	Voltage	Description
MODULE:General body parts						
13500	500137		AQU50			Cover
13505	500909		AQU50			Back panel
13510	500900		AQU50			Body
13510	500900/A		AQU50	ws		Body
13515	15065/A		AQU50			Cable-fastener with screw
13520	500615		AQU50			Ferrule with filter
13525	500616		AQU50			Suction filter
13530	80208		AQU50			95x75x3 O-ring
13535	13021		AQU50			DEM 40 O-ring
13540	10850		AQU50			Foot
13540	10851		AQU50			Foot
13540	15176		AQU50			M10x25 Ø40 black foot
13545	500618		AQU50			Overflow pipe
13550	10778		AQU50			Reed magnet
13555	150047		AQU50			2,7/2,94KW 230/240V heating element
13555	15047/E		AQU50			2,5/2,72KW 230/240V heating element
13555	150047/A		AQU50			2,7KW heating element - 440V
13555	16035/B		AQU50			1,6KW 110V 60Hz heating element
13555	16035/A		AQU50			1,85KW heating element
13560	15118		AQU50			5x2,5x2500 cable
13560	15104/B		AQU50			3x4x2500 cable
13560	10713		AQU50			3x2,5x2500 cable
13560	15145		AQU50			4x4x2500 cable
13560	16154		AQU50			3x2,5x3300 cable
13565	150401		AQU50			Door rod slide
13570	10775		AQU50			Door jack assembly
13575	10802		AQU50			Door jack locknut
13580	10777		AQU50			Spring for door hook
13585	10776		AQU50			Sphere
13590	10803		AQU50			Door jack body
13595	10801		AQU50			Door jack nut
13600	150921		AQU50			Door O-ring angular
13600	450907		AQU50			Door O-ring angular
13605	135205		AQU50			Door O-ring
13605	135202		AQU50			Door O-ring
13610	13317		AQU50			Ø40mm lead through rubber
13615	13323		AQU50			Ø13mm lead through rubber
13620	500902		AQU50			Right/left internal slide
13625	500606		AQU50			Right side scrap tray



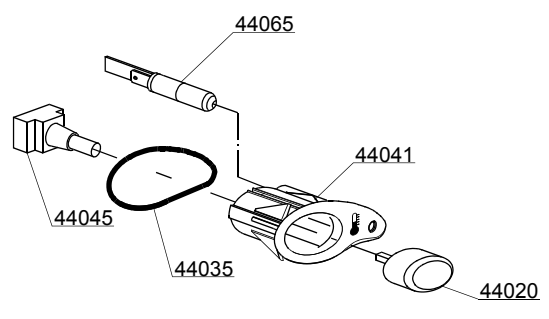
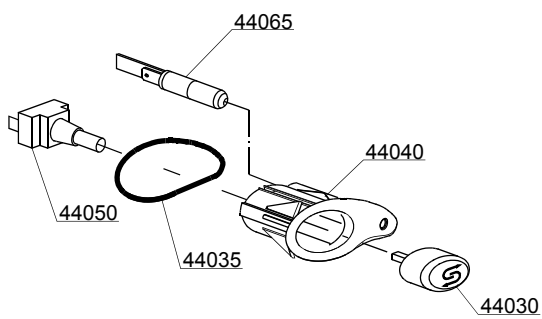
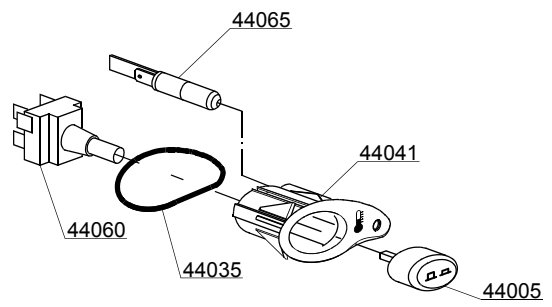
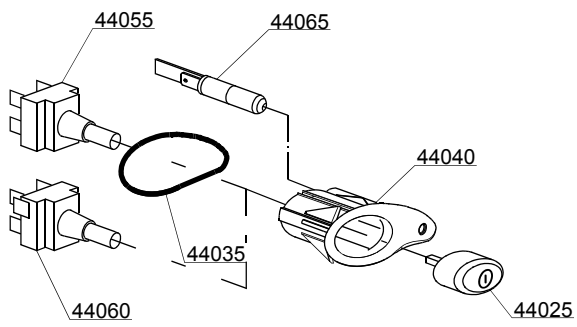
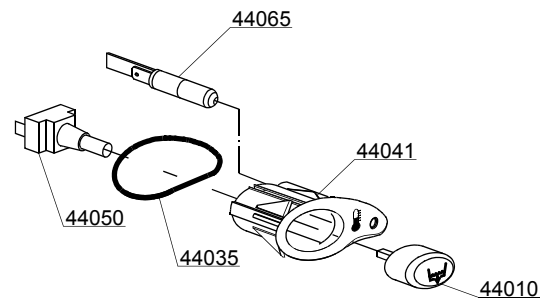
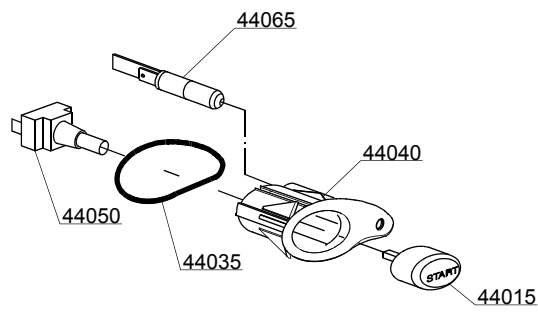
02_111de

Spare parts

ID	P-code	Model	Type	Accessory	Voltage	Description
MODULE:Lockup system						
12200	500943		AQU50			Door
12205	500903		AQU50			Lower door
12210	150221		AQU50			Right/left door rod
12220	135222		AQU50			Hinge door seal
12225	11835/A		AQU50			Brass bush
12230	150210		AQU50			Right hinge door
12235	150211		AQU50			Left hinge door
12240	11121		AQU50			Self-tapping screw
12245	11721		AQU50			M6 self-locking nut
12250	11706		AQU50			M6 stainless steel nut
12255	11111		AQU50			Stainless steel screw
12260	500135		AQU50			Inox handle

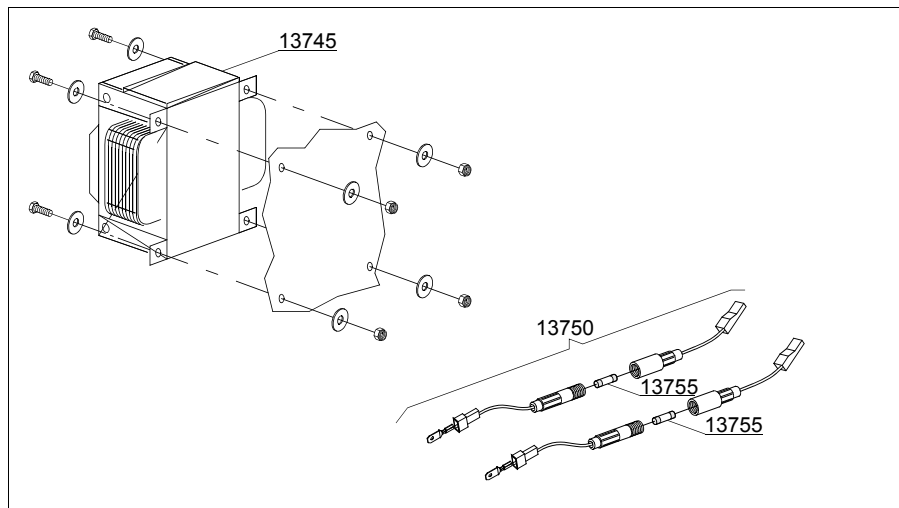
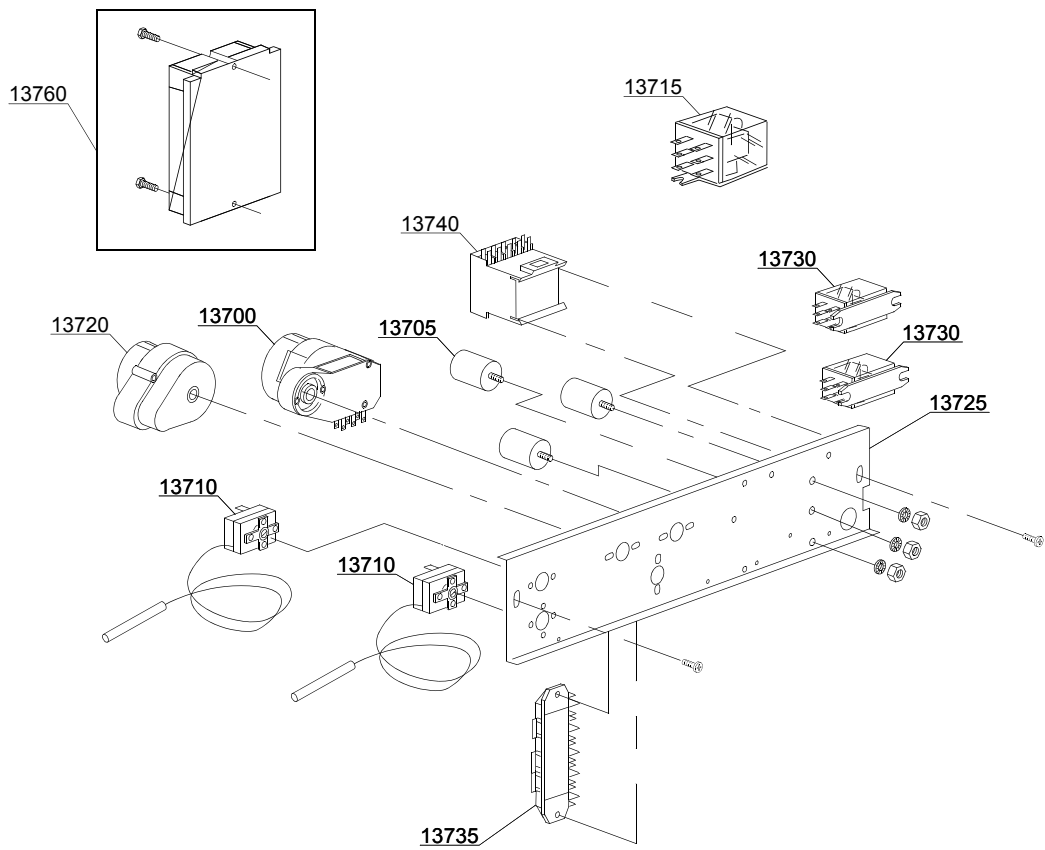


03_048_e



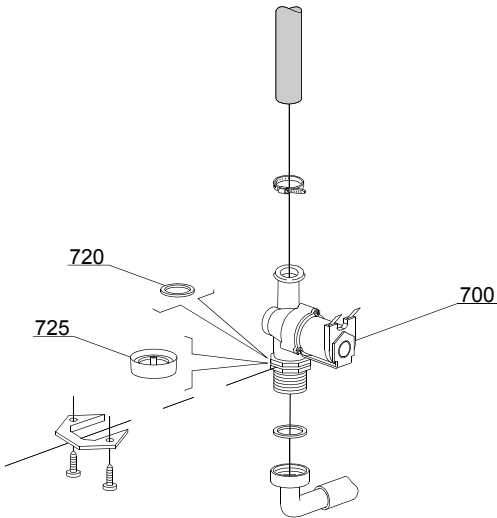
Spare parts

ID	P-code	Model	Type	Accessory	Voltage	Description
MODULE:Control panel and switches						
44000	270030		AQU50			Control panel AQUA 50
44005	89342		AQU50	cr		Time selector switch push button
44010	89343		AQU50	dp		Drain pump push button (OPTIONAL)
44015	89341		AQU50			START push button
44020	89348		AQU50			Blind push button
44025	89340		AQU50			ON-OFF push button
44030	89345		AQU50	ws		Regeneration push button (OPTIONAL)
44035	86006		AQU50			OR O-ring
44040	86001		AQU50			Push button support
44041	86002		AQU50			Temperature push button support
44045	15844		AQU50			Push button support
44050	15813		AQU50			16A unipolar switch
44055	15812		AQU50			16A bipolar switch
44055	15800		AQU50			16A switch
44060	15811		AQU50			16A bipolar switch
44060	15811/A		AQU50			16A bipolar switch
44065	15826		AQU50			Pilot light



Spare parts

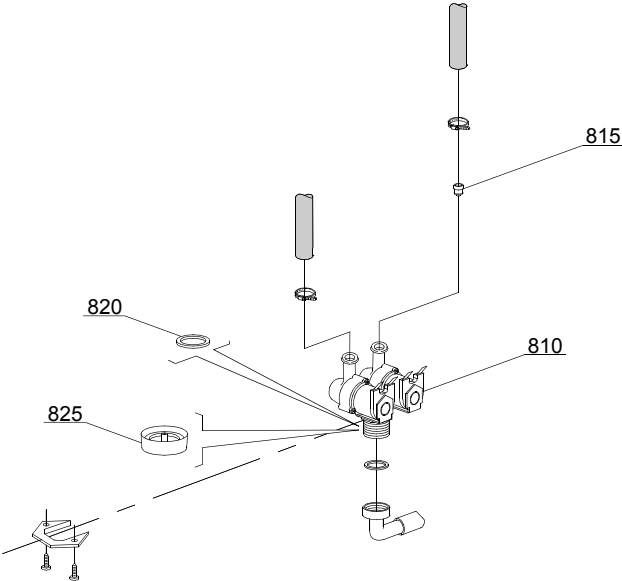
ID	P-code	Model	Type	Accessory	Voltage	Description
MODULE:Electric control components						
13700	10708/L		AQU50		A	120" timer
13700	10708/B		AQU50			120" timer - 220Vac 60Hz
13700	10708/E		AQU50			90""timer with thermostop
13700	10708/T		AQU50			120" timer with thermostop
13705	15149		AQU50			Low noise filter
13710	10707/1		AQU50			0-90°C thermostat
13715	16047		AQU50	dp		16A tripolar relay
13720	16064/A		AQU50	ws		Regeneration timer
13725	500910		AQU50			Electric components panel
13730	15620		AQU50	dp		Bipolar relay in deviation
13730	15620/A		AQU50			Bipolar relay in deviation - 110Vac 60Hz
13735	500550		AQU50			3 poles terminal board
13735	500551		AQU50			6 poles terminal board
13740	15086		AQU50			Contactactor 230V 50/60Hz 4C
13740	15086/B		AQU50			Contactactor 240V 50Hz
13740	10300055		AQU50			25A 110Vac contactor
13745	15381		AQU50			160Va transformer
13750	15147		AQU50			Fuse-holder
13755	15163		AQU50			Fuse
13760	50553		AQU50			3 Times Electronic time with regeneration



05_002_e

Spare parts

ID	P-code	Model	Type	Accessory	Voltage	Description
MODULE: Solenoid valve group						
700	10703		AQU50			Single solenoid valve
700	10703/A		AQU50			Single solenoid valve - 110Vac
720	N.C.		AQU50			Pression reducing valve

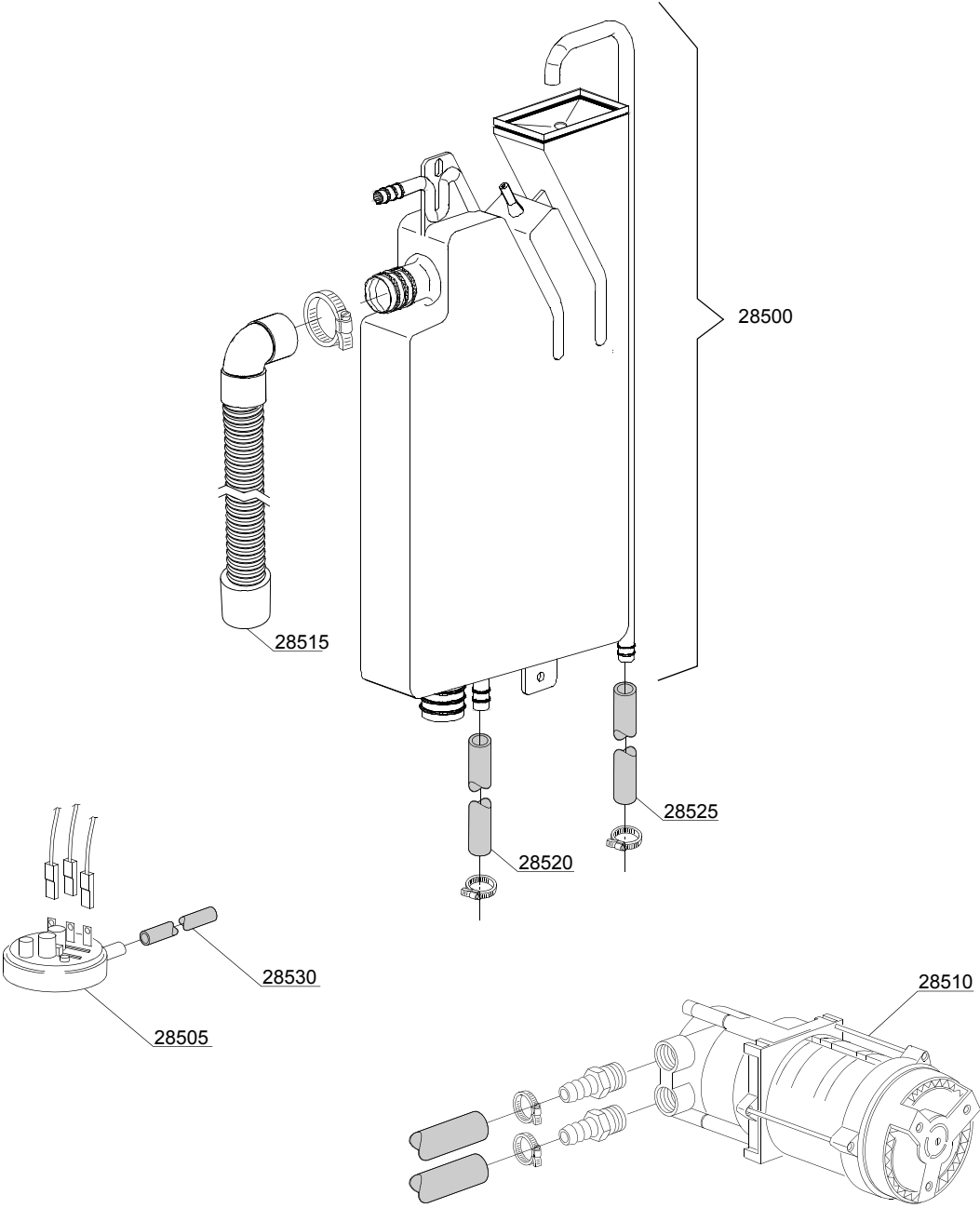


05_003_e

Spare parts

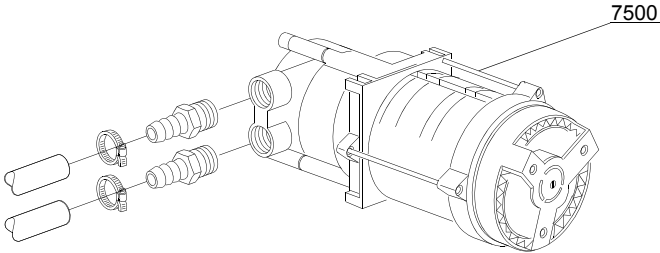
ID	P-code	Model	Type	Accessory	Voltage	Description
MODULE: Solenoid valve group						
810	15098		AQU50	cr,ws		Double solenoid valve - Ø10
815	15115		AQU50	cr,ws		Green pression solenoid valve
820	N.C.		AQU50	cr,ws		Pression reducing valve

06_004ae



Spare parts

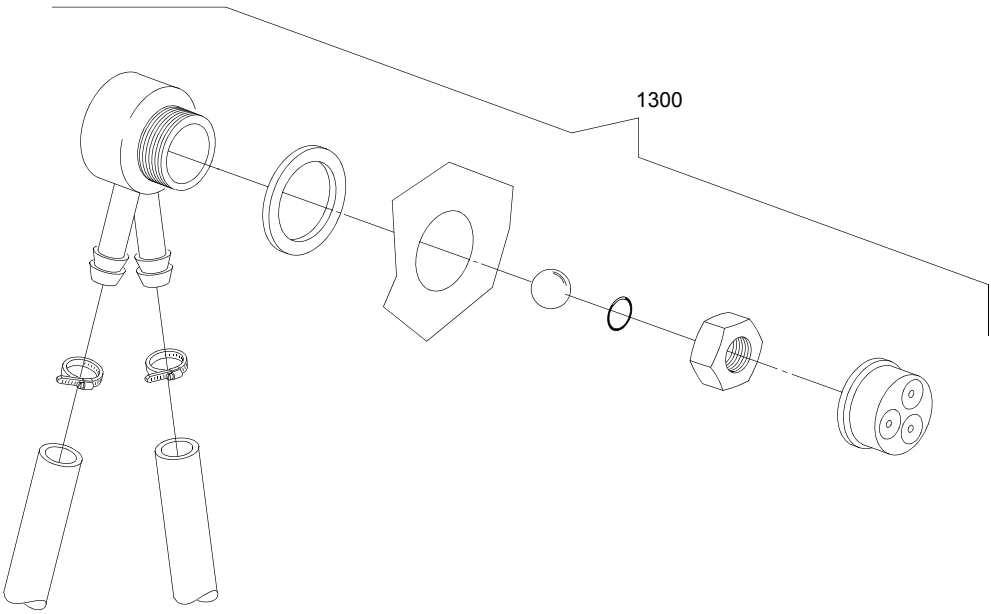
ID	P-code	Model	Type	Accessory	Voltage	Description
MODULE:Break Tank						
28500	15735		AQU50	bt		Break tank assembly
28505	10706/A		AQU50	bt		47-27 pressure switch
28510	15100/D		AQU50	bt		Booster pump 220-240/50
28515	15721		AQU50	bt		BT long pipe L=1070
28515	15722		AQU50	bt		BT middle pipe L=920
28515	15723		AQU50	bt		BT small pipe L=920
28520	2907350		AQU50	bt		12x20 EPDM rubber hose
28525	2907352		AQU50	bt		PVC WRAS rubber hose



07_003_e

Spare parts

ID	P-code	Model	Type	Accessory	Voltage	Description
MODULE:Booster pump						
7500	15100/D		AQU50	bp		Booster pump 220-240/50

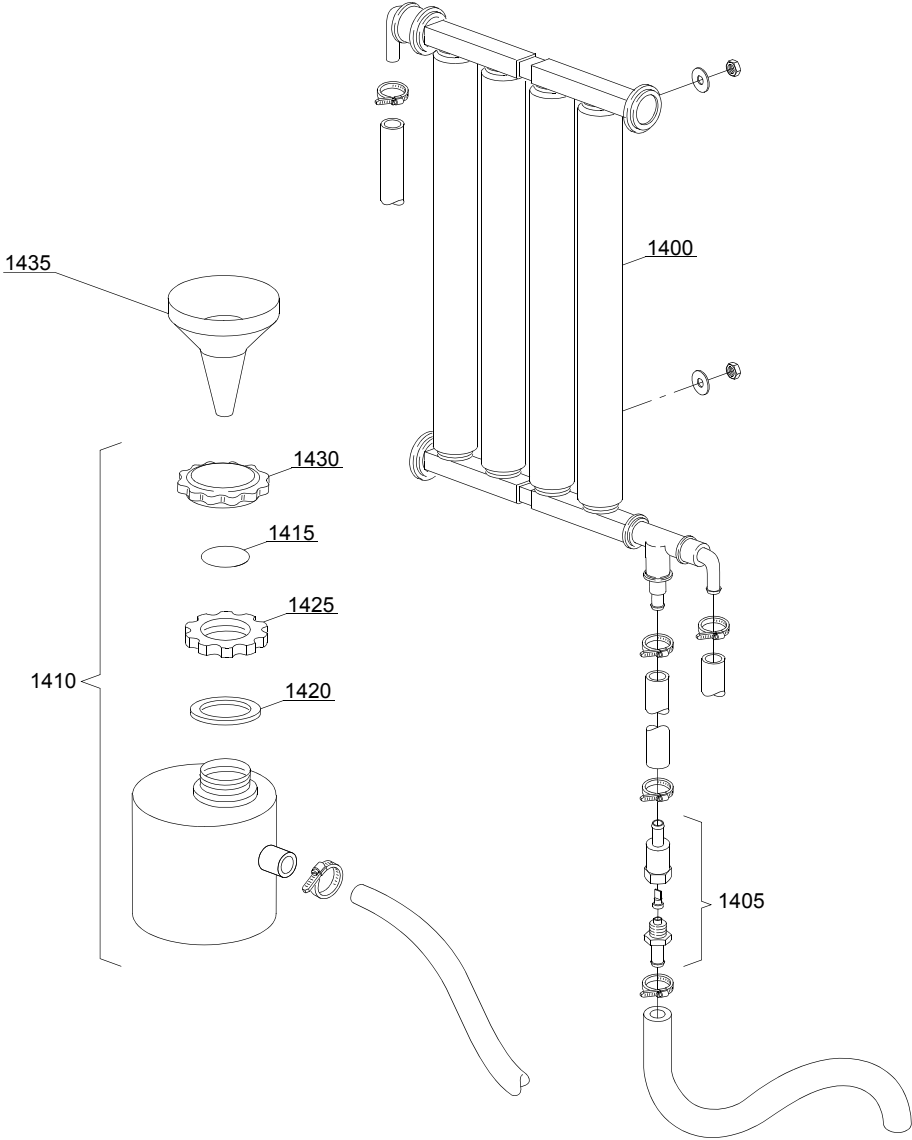


08_005_e

Spare parts

ID	P-code	Model	Type	Accessory	Voltage	Description
MODULE:DVGW						
1300	999900006		AQU50	dvgw		DVGW assembly

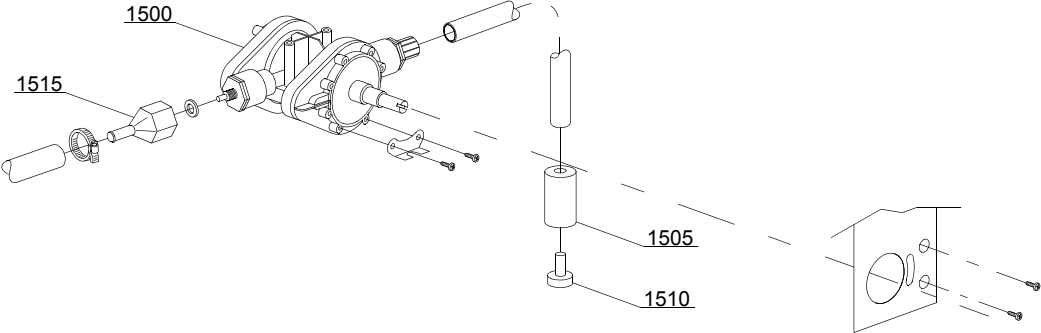
09_001_e



Spare parts

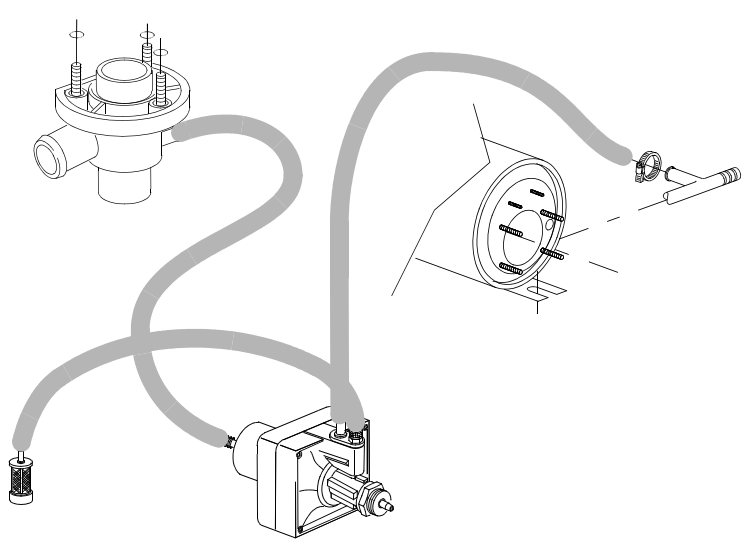
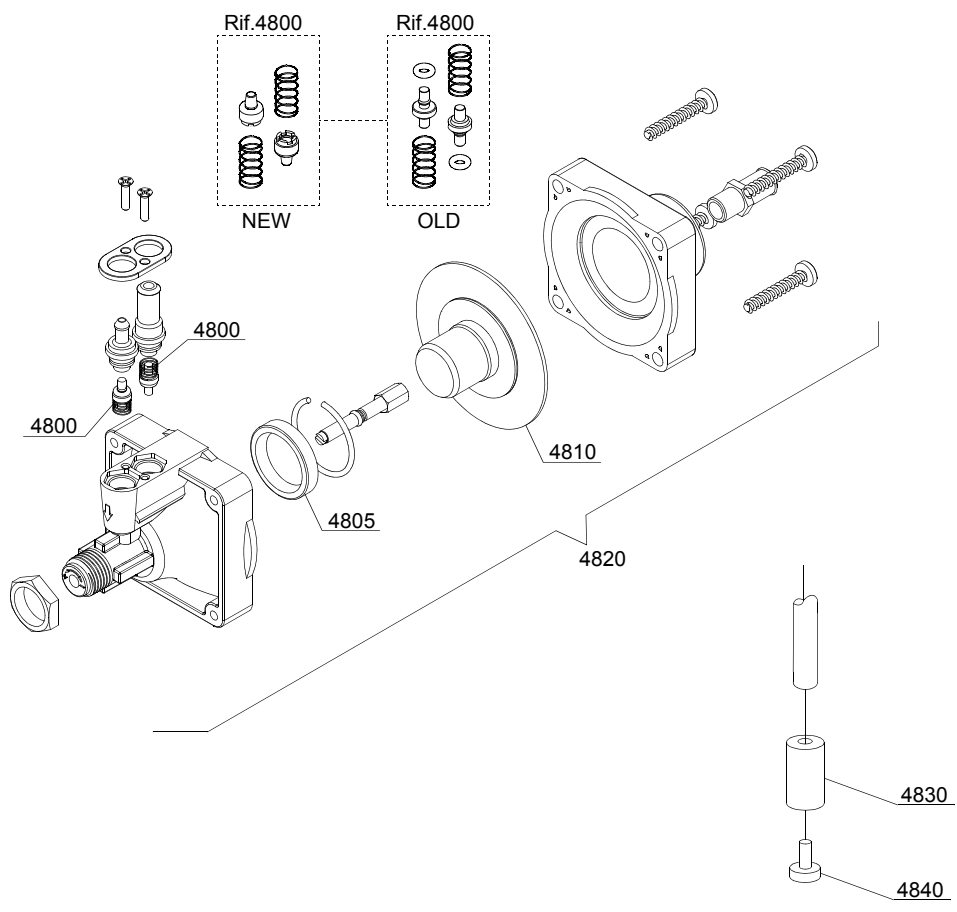
ID	P-code	Model	Type	Accessory	Voltage	Description
MODULE:Water softner group						
1400	16066		AQU50	ws		4 elements water softner
1405	16070		AQU50	ws		Nonreturn valve
1410	16065		AQU50	ws		Salt container
1415	16067/A		AQU50	ws		OR O-ring
1420	16067/B		AQU50	ws		O-ring
1425	16067/C		AQU50	ws		Ring nut
1430	16067/D		AQU50	ws		Plug
1435	16082		AQU50	ws		Funnel

10_002_e



Spare parts

ID	P-code	Model	Type	Accessory	Voltage	Description
MODULE: Rinse aid dispenser group						
1500	10798		AQU50			Rinse aid dispenser
1505	12525		AQU50			Counter-weight
1510	15058		AQU50			Small filter
1515	10798/B		AQU50			Brass pipe fitting

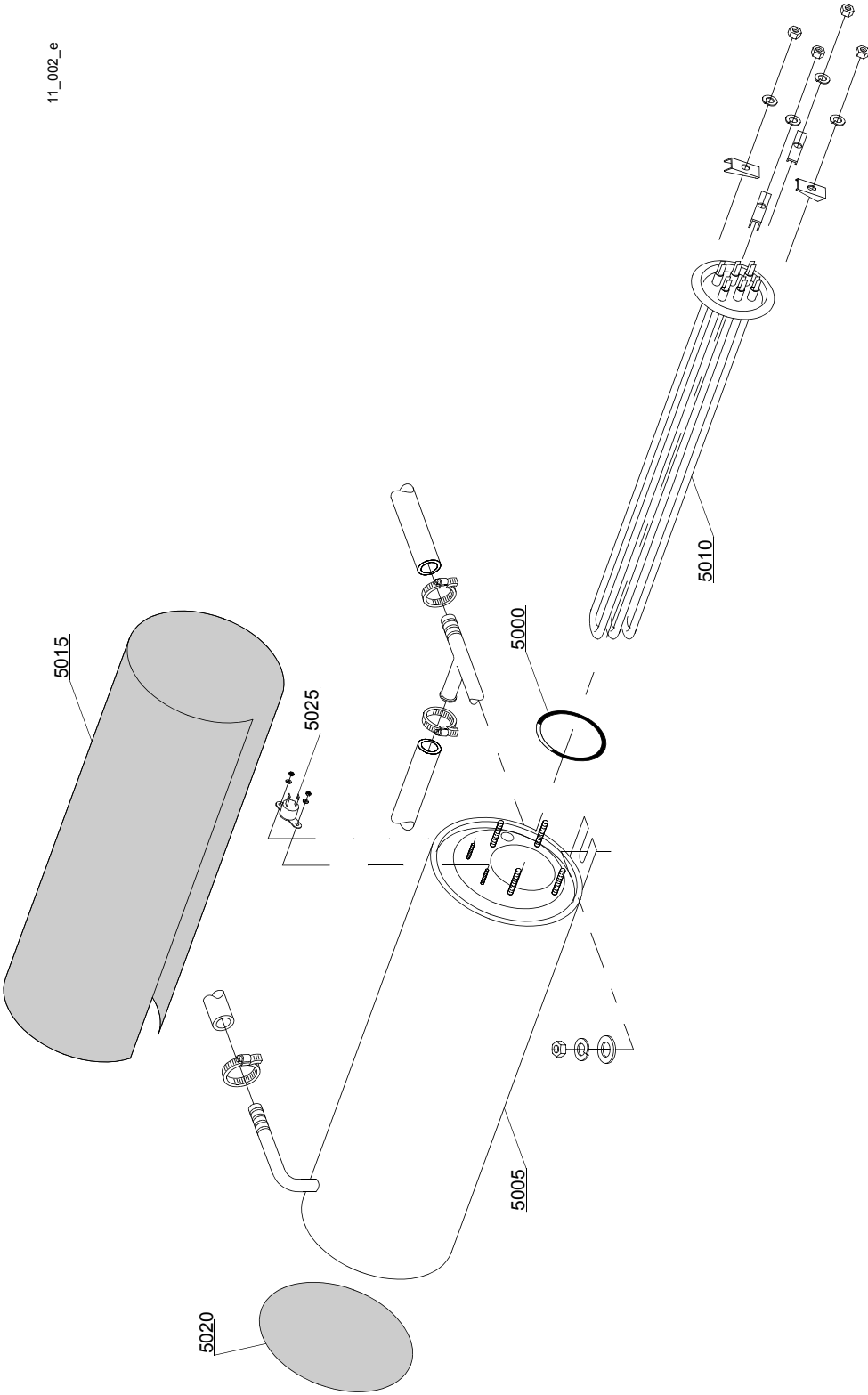


10_004_e

Spare parts

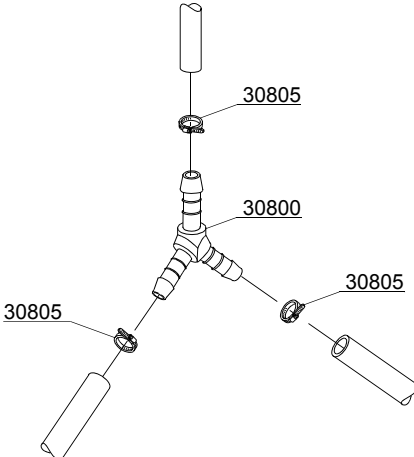
ID	P-code	Model	Type	Accessory	Voltage	Description
MODULE: Rinse aid dispenser group						
4800	10805		AQU50			Tecnopro non return valve
4805	10806		AQU50			Ø22 O-ring
4810	10807		AQU50			Membrane
4820	10799		AQU50			Rinse aid dispenser
4830	12525		AQU50			Counter-weight
4840	15058		AQU50			Small filter

11_002_e



Spare parts

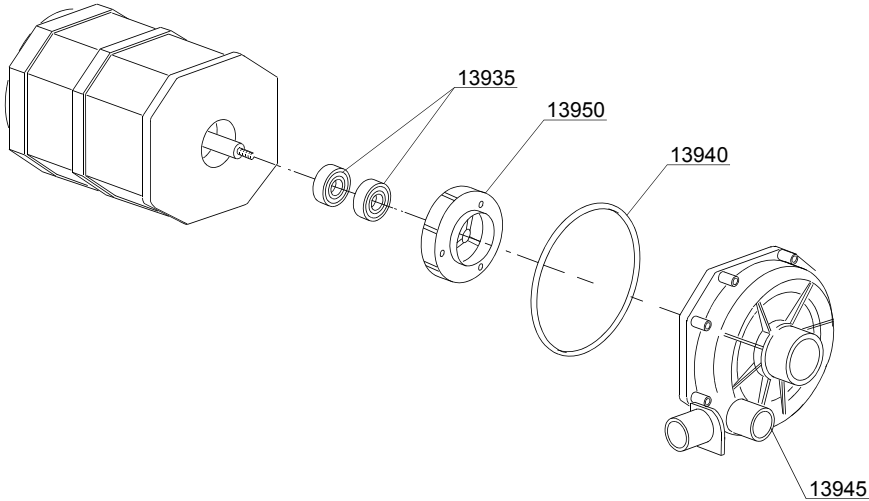
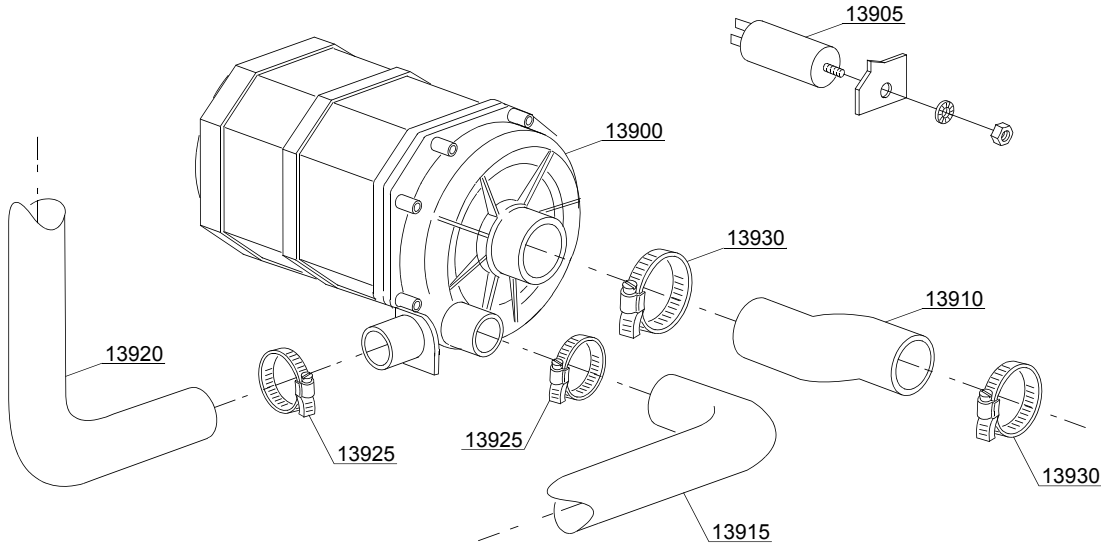
ID	P-code	Model	Type	Accessory	Voltage	Description
MODULE:Boiler group						
5000	13005		AQU50			OR 151 NBR O-ring
5005	150905		AQU50			Boiler
5005	150917		AQU50			AISI 314 boiler
5010	15089		AQU50			4,5/4,9KW 230/240/3 heating element
5010	15089/B		AQU50			4,5KW heating element - 254/440Vac
5010	15089/C		AQU50			3,5KW - 110V heating element
5010	15089/D		AQU50			2,8/3,05KW - 230/240V heating element
5010	15089/E		AQU50			6/6,53KW - 230/240/3 heating element
5010	15046		AQU50			3/3,27KW 230/240/3 heating element
5015	15066		AQU50			Insulation boiler
5020	15205		AQU50			Ø160 end piece
5025	15550		AQU50			Safety thermostat



12_003ae

Spare parts

ID	P-code	Model	Type	Accessory	Voltage	Description
MODULE:3 ways connection						
30800	540091		AQU50			Ø12 mm plastic 3 ways connection
30805	11807		AQU50			12/22 clamp

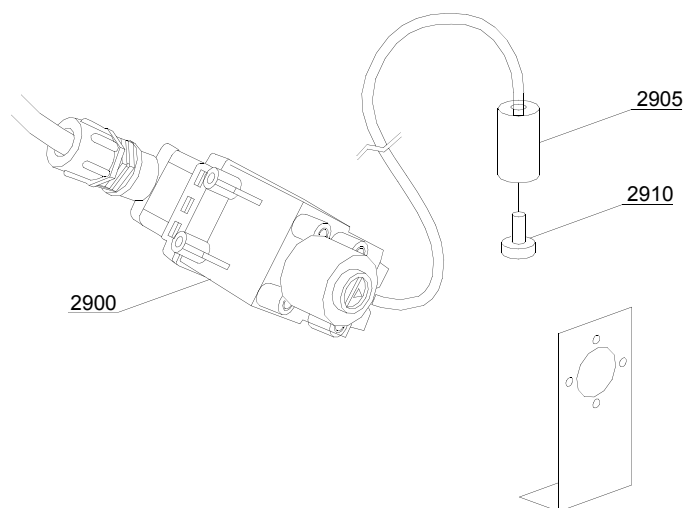
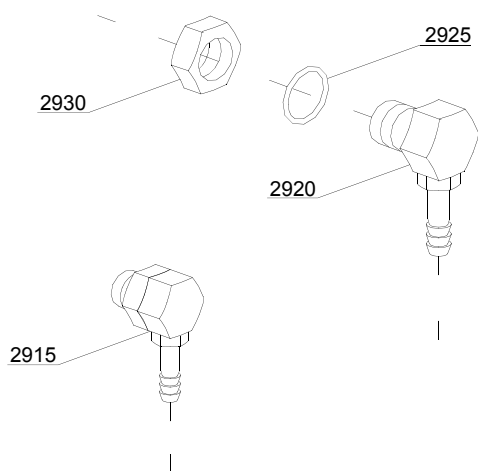


13_110_e

Spare parts

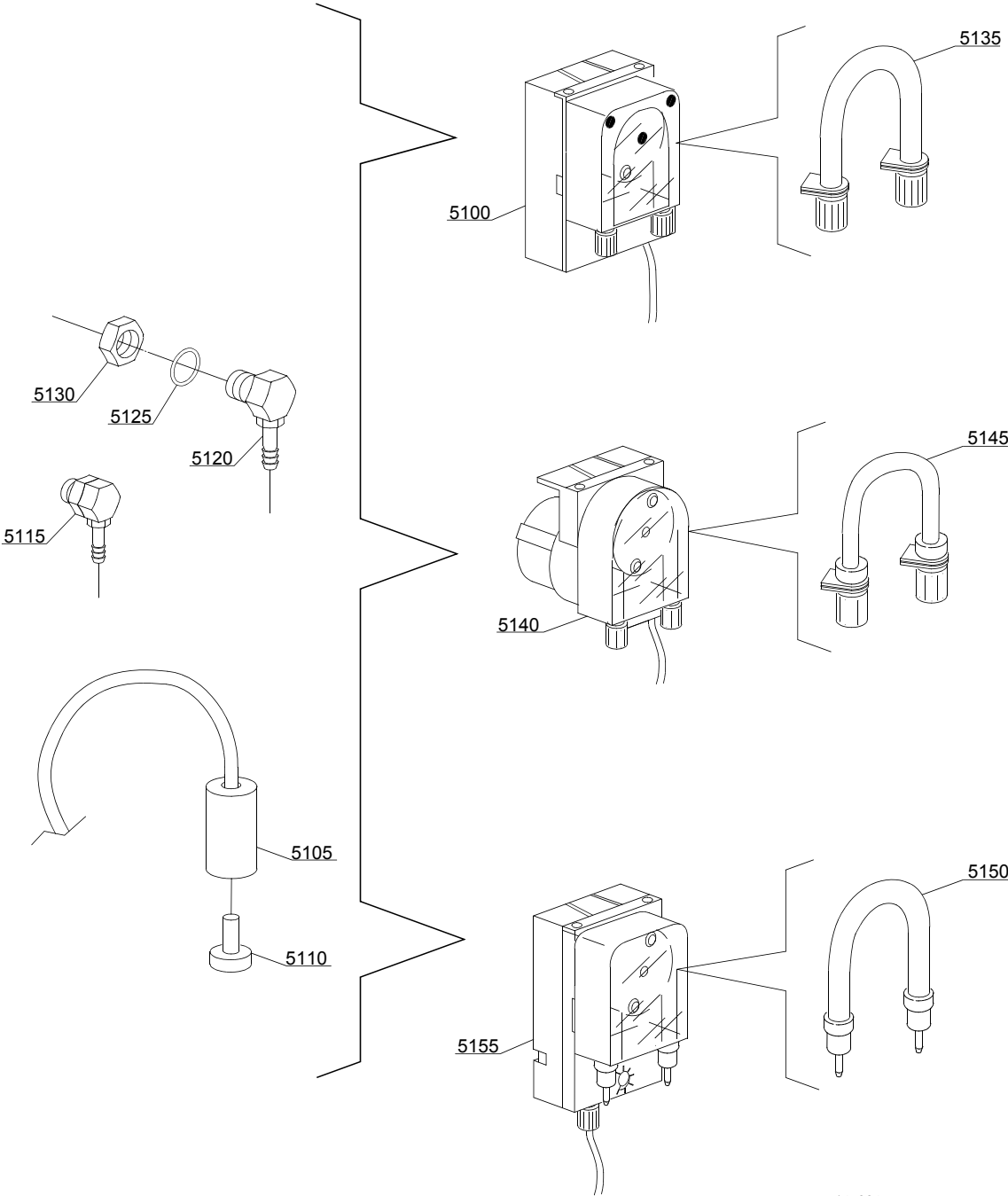
ID	P-code	Model	Type	Accessory	Voltage	Description
MODULE:Wash pump						
13900	150914		AQU50			0,70Hp wash pump
13900	150915		AQU50			0,70Hp wash pump - 230Vac 60Hz
13905	15081		AQU50			12,5 uF condenser
13910	25032/A		AQU50			Suction pipe coupling
13915	150049		AQU50			Lower wash pipe coupling
13920	150048/A		AQU50			Wash ramp
13925	11806		AQU50			25/40 clamp
13930	11809		AQU50			30/45 clamp
13935	15080		AQU50			Rotating seals
13940	7130		AQU50			OR pump O-ring
13945	16182		AQU50			Scroll
13950	15079/F		AQU50			Pump rotor

14_002_e



Spare parts

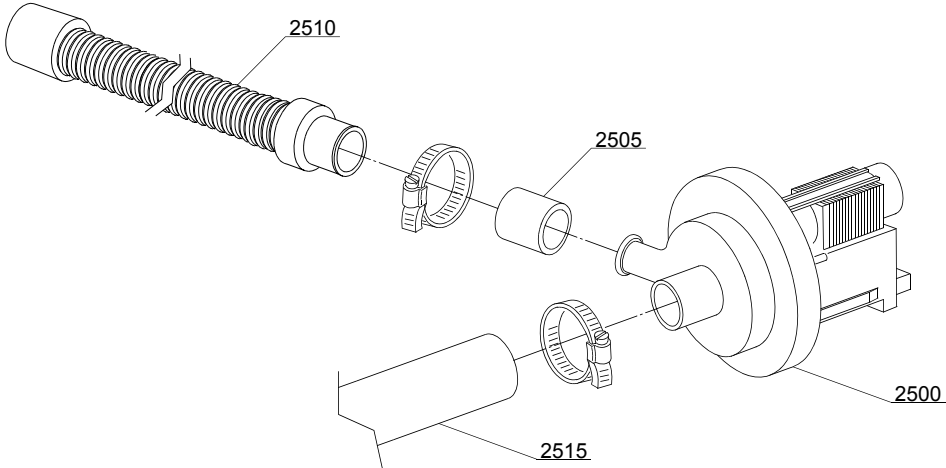
ID	P-code	Model	Type	Accessory	Voltage	Description
MODULE:Dosing detergent group						
2900	15108/L		AQU50	dd		Lang detergent pump
2905	12525		AQU50	dd		Counter-weight
2910	15058		AQU50	dd		Small filter
2915	15123		AQU50	dd		Compleat plastic injector
2920	15148		AQU50	dd		Steel injector
2925	15159		AQU50	dd		OR O-ring
2930	10200205		AQU50	dd		M12x1 stainless steel nut



14_004_e

Spare parts

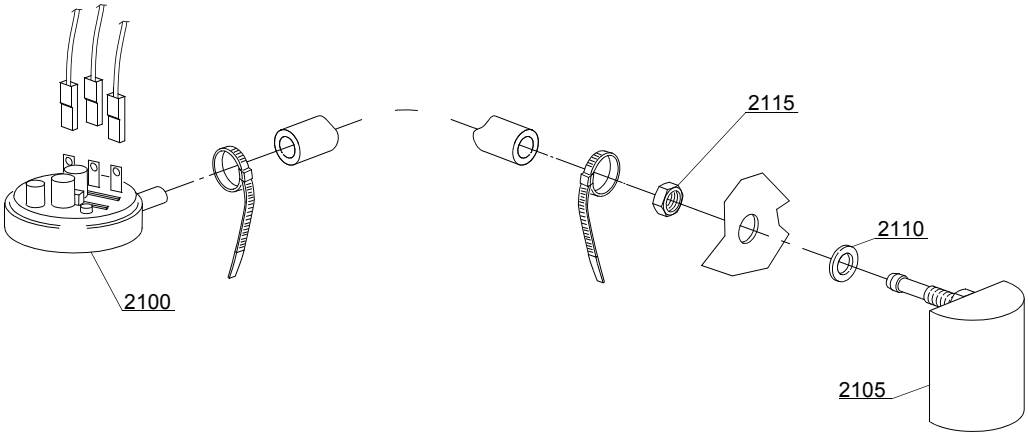
ID	P-code	Model	Type	Accessory	Voltage	Description
MODULE:Dosing detergent group						
5100	15985		AQU50	dd		Seko detergent pump
5105	12525		AQU50	dd		Counter-weight
5110	15058		AQU50	dd		Small filter
5115	15123		AQU50	dd		Complet plastic injector
5120	15148		AQU50	dd		Steel injector
5125	15159		AQU50	dd		OR O-ring
5130	10200205		AQU50	dd		M12x1 stainless steel nut
5135	15185		AQU50	dd		Ø 10 Seko thermoplastic pipe
5140	15985		AQU50	dd		Germac detergent pump
5145	15108/E		AQU50	dd		Ø 8 Germac thermoplastic pipe
5150	15985/A		AQU50	dd		Ø 10 PLAS CONT thermoplastic pipe
5155	15985		AQU50	dd		PLAS CONT detergent pump



15_004_e

Spare parts

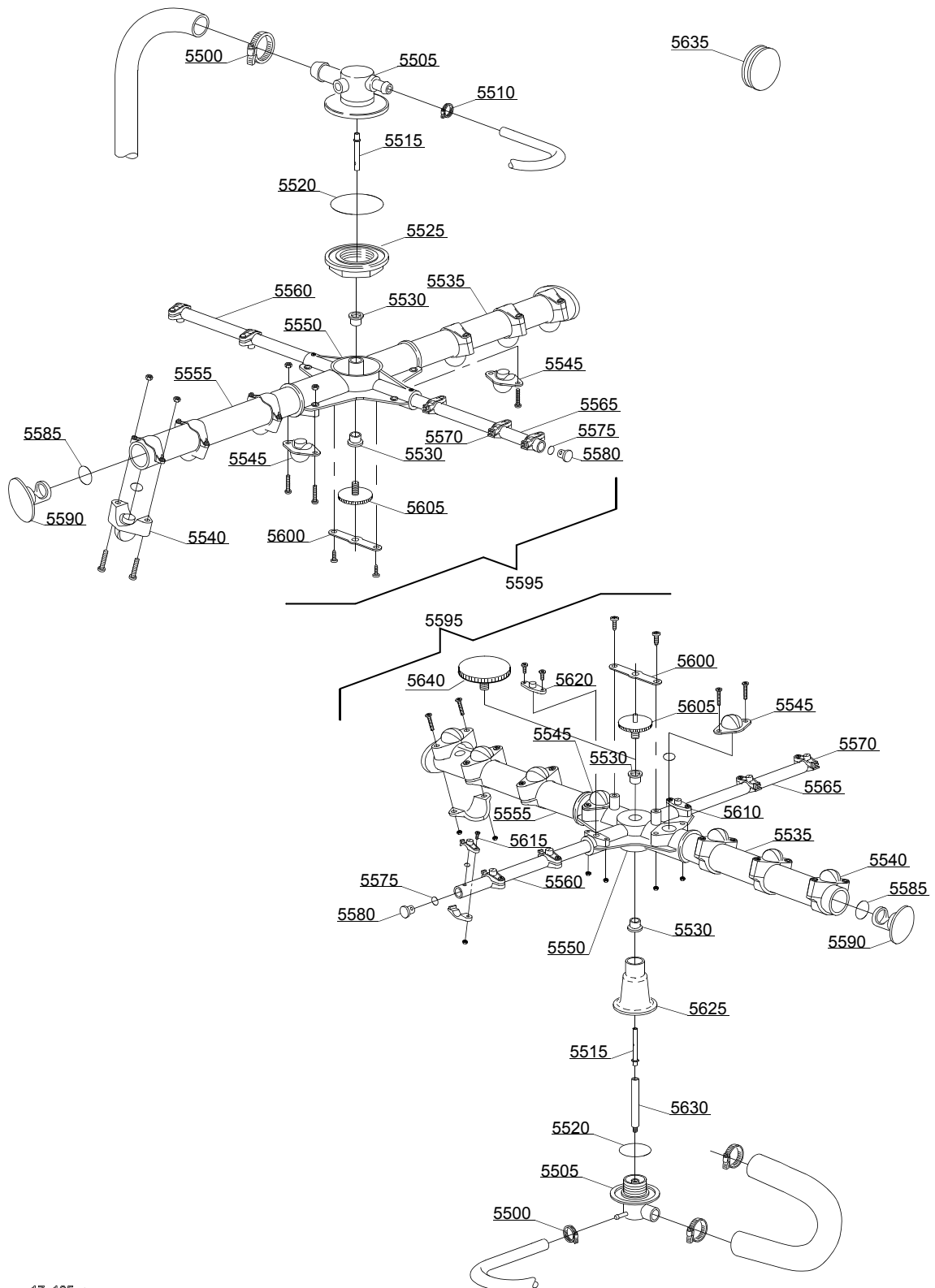
ID	P-code	Model	Type	Accessory	Voltage	Description
MODULE:Drain pump group						
2500	15101		AQU50	dp		Drain pump 220/240V 50Hz
2505	15101/D		AQU50	dp		Pipe fitting
2510	10727		AQU50	dp		Drain pipe
2515	15131		AQU50	dp		Drain coude/pump connection pipe



16_001_e

Spare parts

ID	P-code	Model	Type	Accessory	Voltage	Description
MODULE:Pressure switch group with air trap						
2100	10706/A		AQU50			47-27 pressure switch
2105	135911/B		AQU50			Air trap assembly
2110	13301		AQU50			O-ring
2115	11702		AQU50			M8 stainless steel nut



17_105_e

Spare parts

ID	P-code	Model	Type	Accessory	Voltage	Description
MODULE:Turret group with rotating arms						
5500	11806		AQU50			25/40 clamp
5505	500612		AQU50			Top/lower turret
5510	11807		AQU50			12/22 clamp
5515	15300		AQU50			Ø10x51 lower/top rinse axle
5520	13015		AQU50			6225 OR 160 NBR O-ring
5525	500623		AQU50			Ring nut for fixing turret
5530	13319		AQU50			Sliding washer
5535	15571		AQU50			Ø28 right wash pipe
5540	10261		AQU50			Ø28 raised nozzle
5545	10268		AQU50			Ø28 opened plane nozzle
5550	10259		AQU50			4 ways big rotor
5555	15572		AQU50			Ø28 left wash pipe
5560	15575		AQU50			Right rinse pipe
5565	15576		AQU50			Left rinse pipe
5570	10262		AQU50			Ø10 complet rinse nozzle
5575	13016		AQU50			2018 OR 103 NBR O-ring
5580	12532		AQU50			Ø10 plastic plug
5585	13018		AQU50			OR 2087 NBR O-ring
5590	10257		AQU50			Ø28 plastic plug
5595	15958		AQU50			Ø28 wash/rinse group
5600	10260		AQU50			Blocking ring nut rotor plaque
5605	11101/I		AQU50			Stainless steel group fixing screw
5610	10267		AQU50			Ø10 closed plane nozzle
5615	11004		AQU50			4x10 TCB Ø8 spax toothed screw
5620	10263		AQU50			Ø10 opened plane nozzle
5625	550225		AQU50			Lower pipe coupling
5630	550226		AQU50			Lower rinse axle
5635	13316/A		AQU50			DVGW hole O-ring