

**easicook.co.uk**

**Spare Parts Manual**

**Leading UK Distributors  
of Catering Equipment Since 1977**

**Sales - Repairs - Spares**

**Tel: 029 20747567**

**Fax: 029 20214100**

**Email: [info@easicook.co.uk](mailto:info@easicook.co.uk)**

---

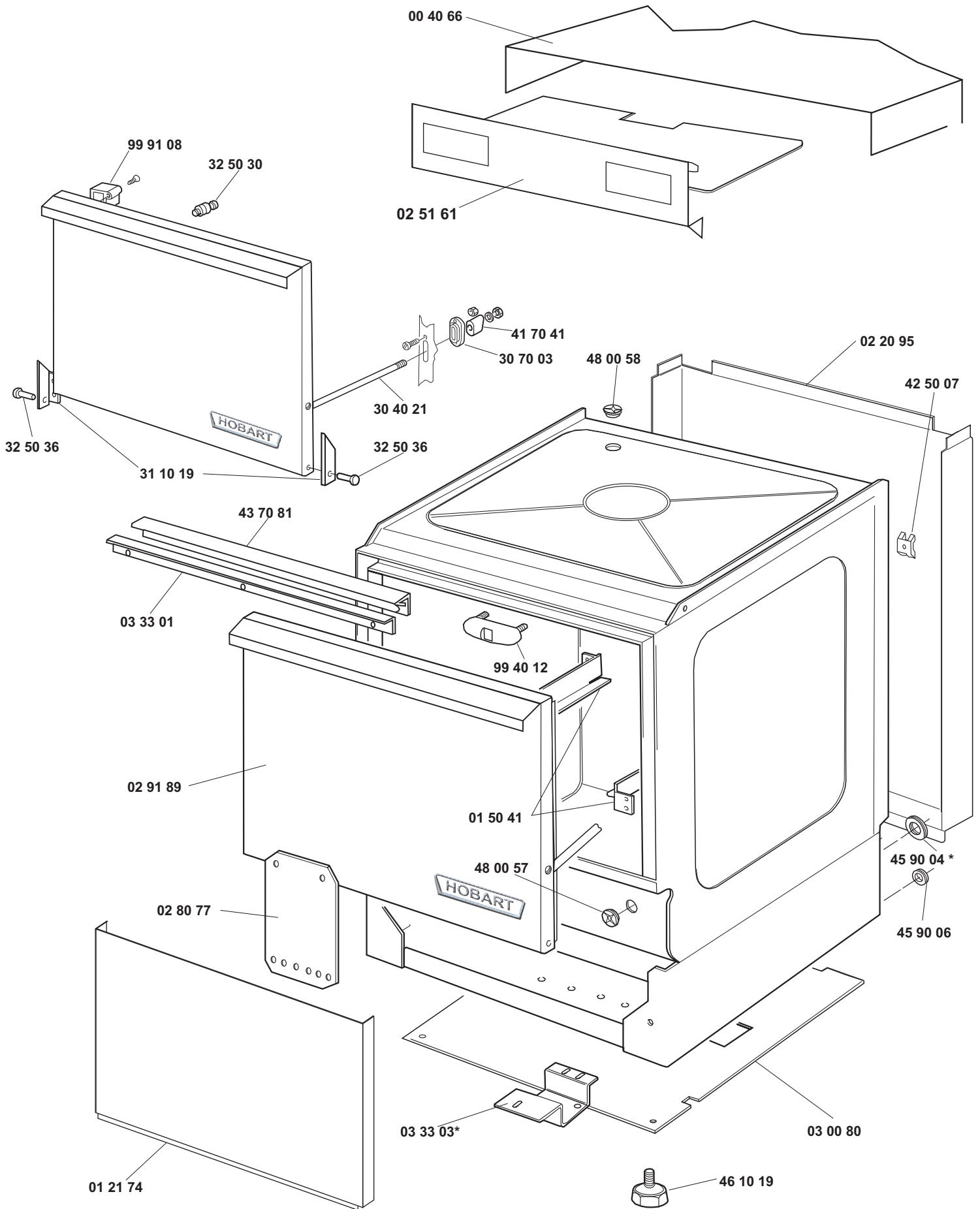
# HOBART

**SPARE PARTS CATALOGUE  
ERSATZTEILKATALOG  
CATALOGUE PIECES DETACHEES  
CATALOGO PARTI RICAMBIO  
CATALOGO DE PIEZAS DE RECAMBIO  
CATALOGO PEÇAS DE REPOSIÇÃO**

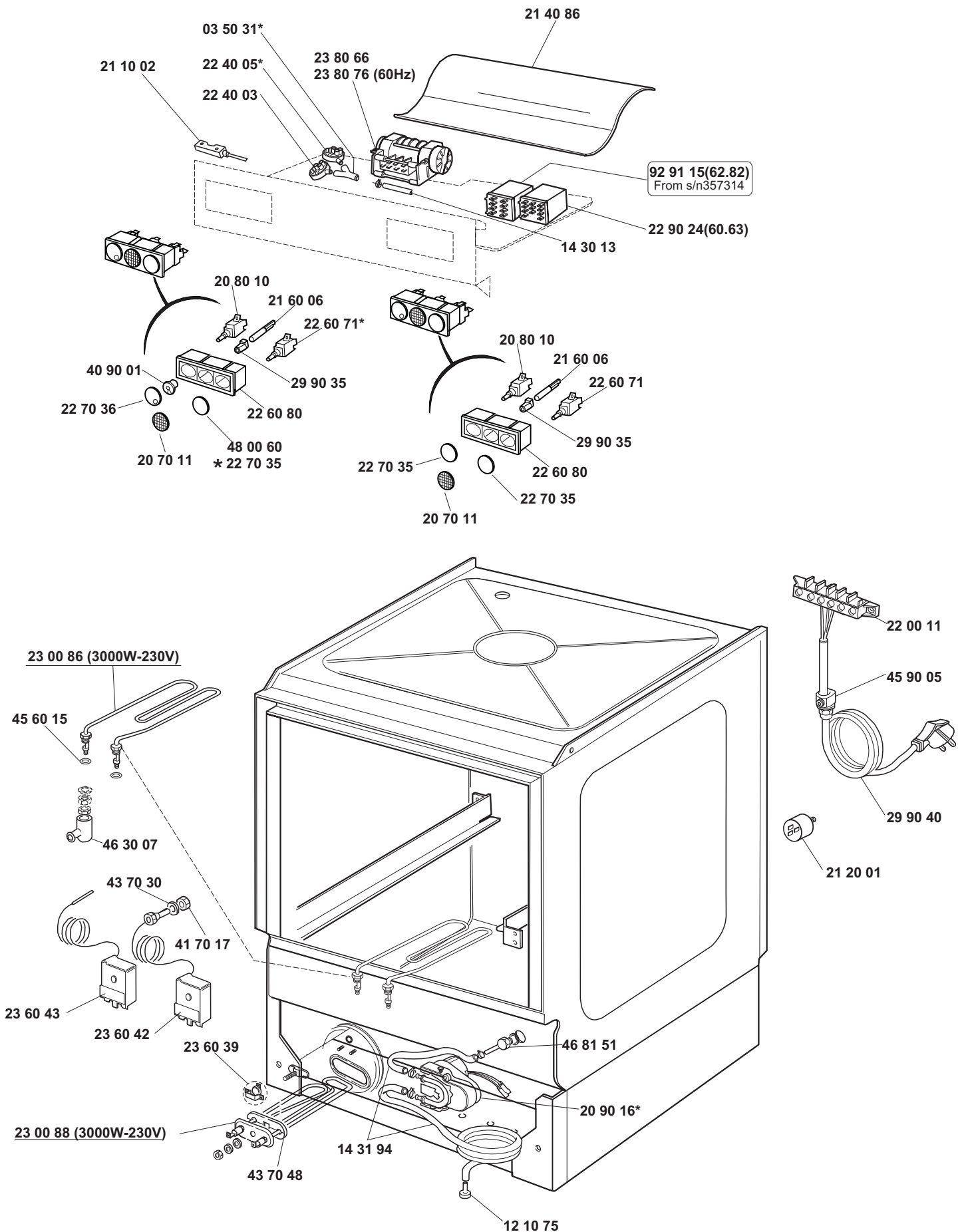
## H.500

**2002**

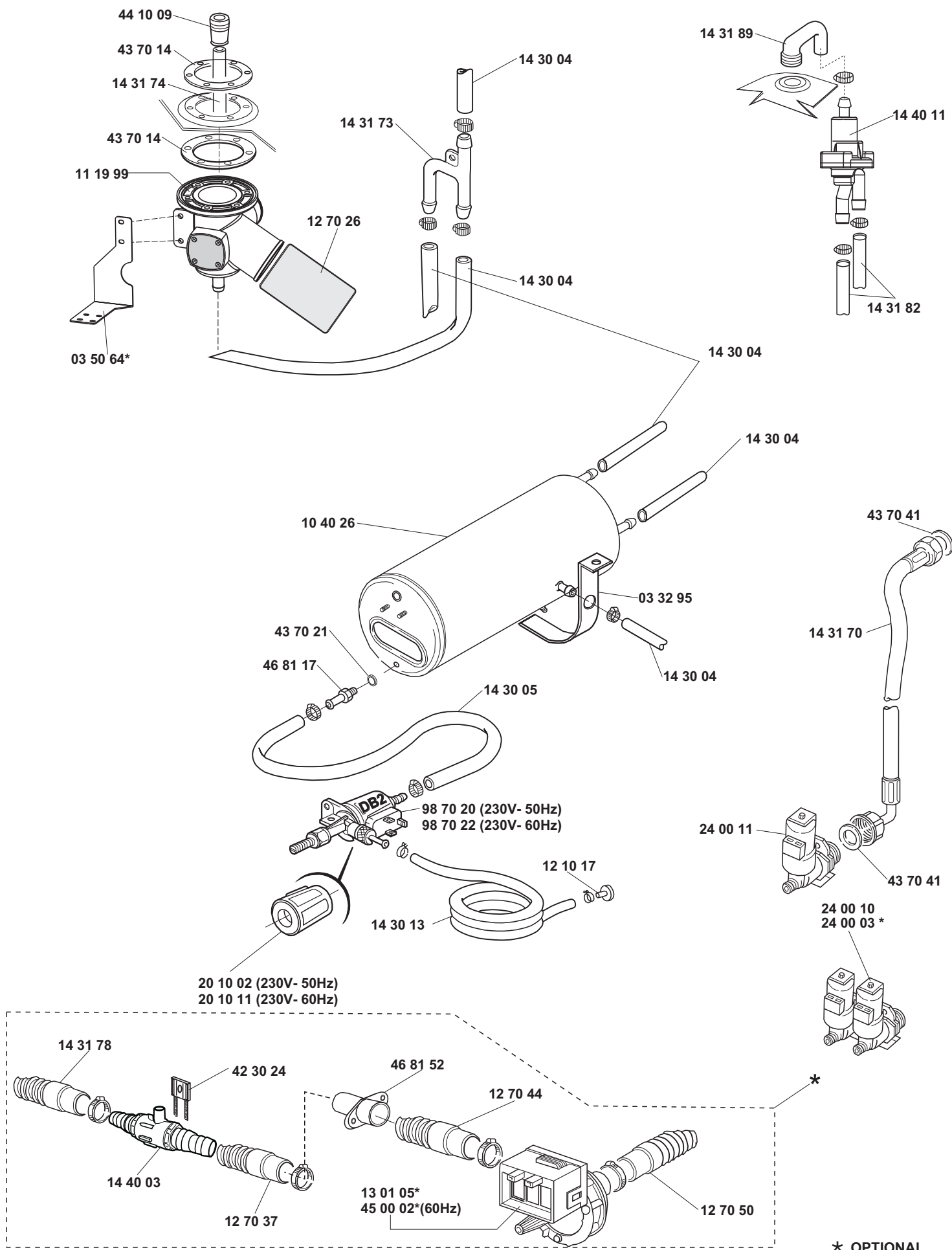
# 1



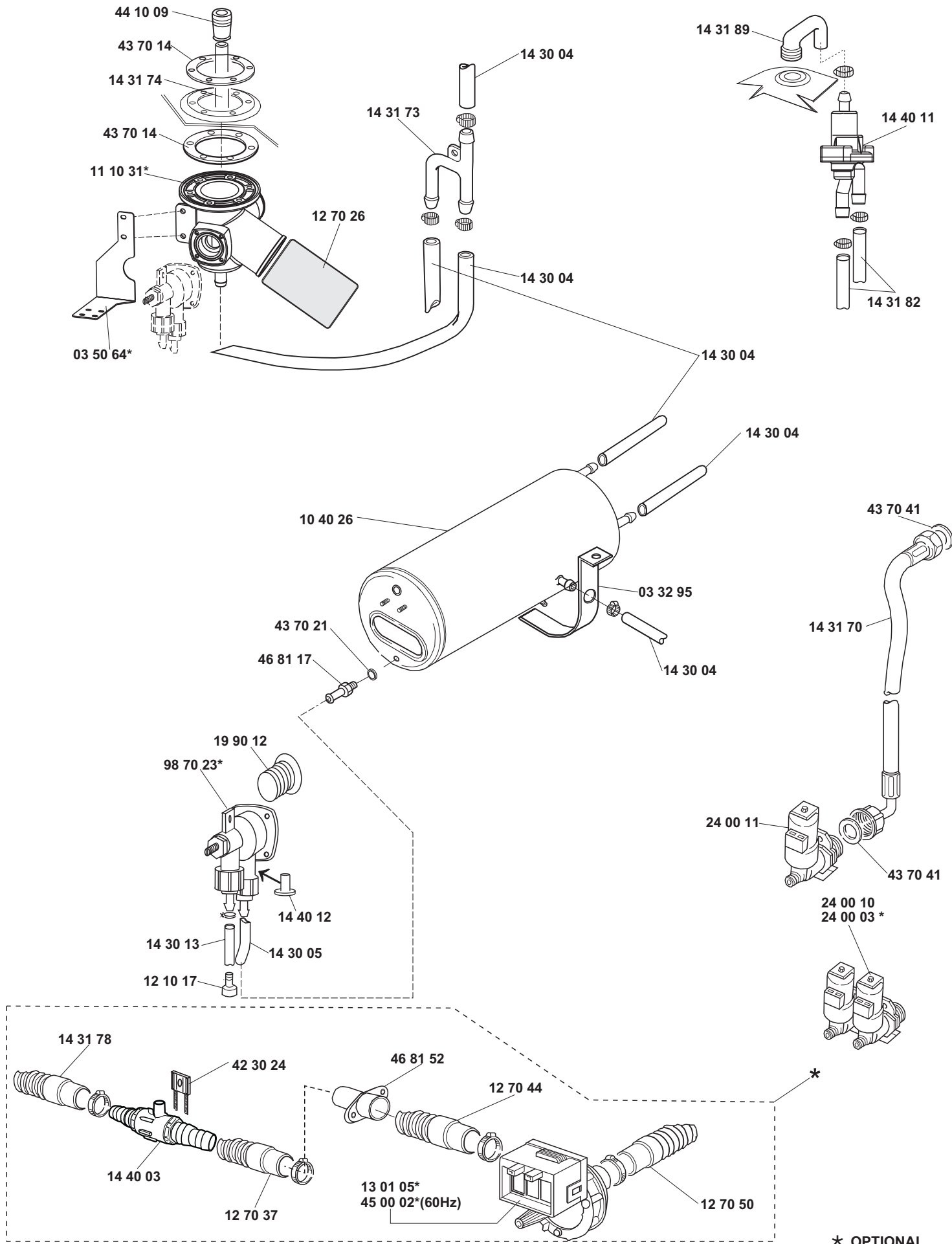
\* OPTIONAL



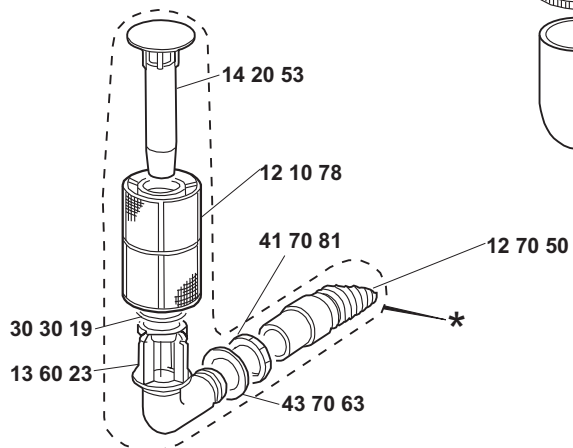
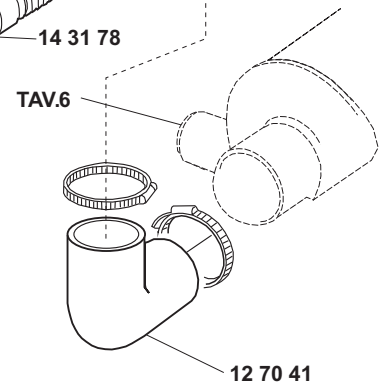
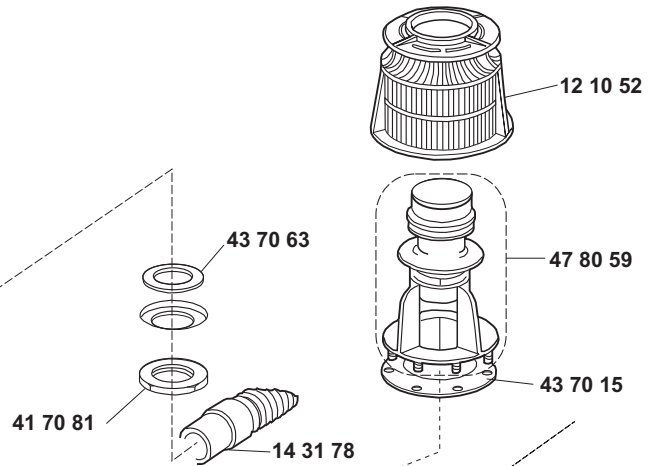
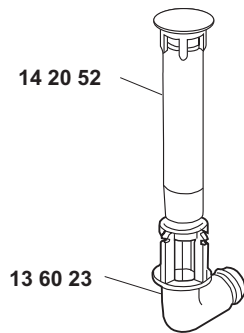
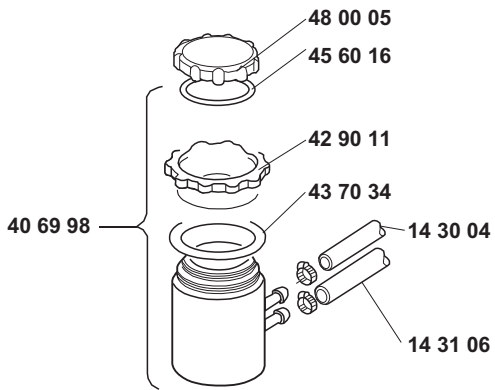
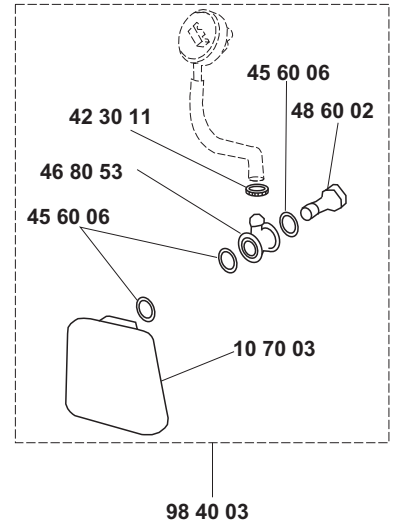
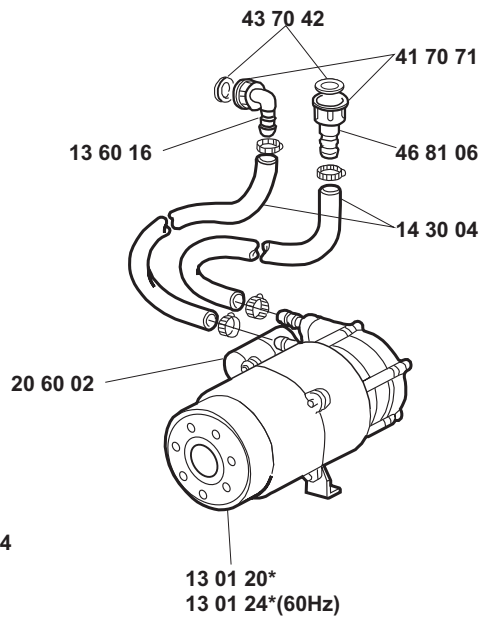
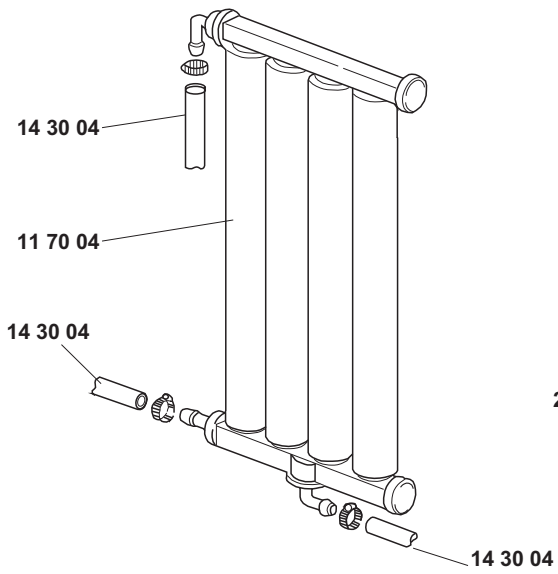
OPTIONAL



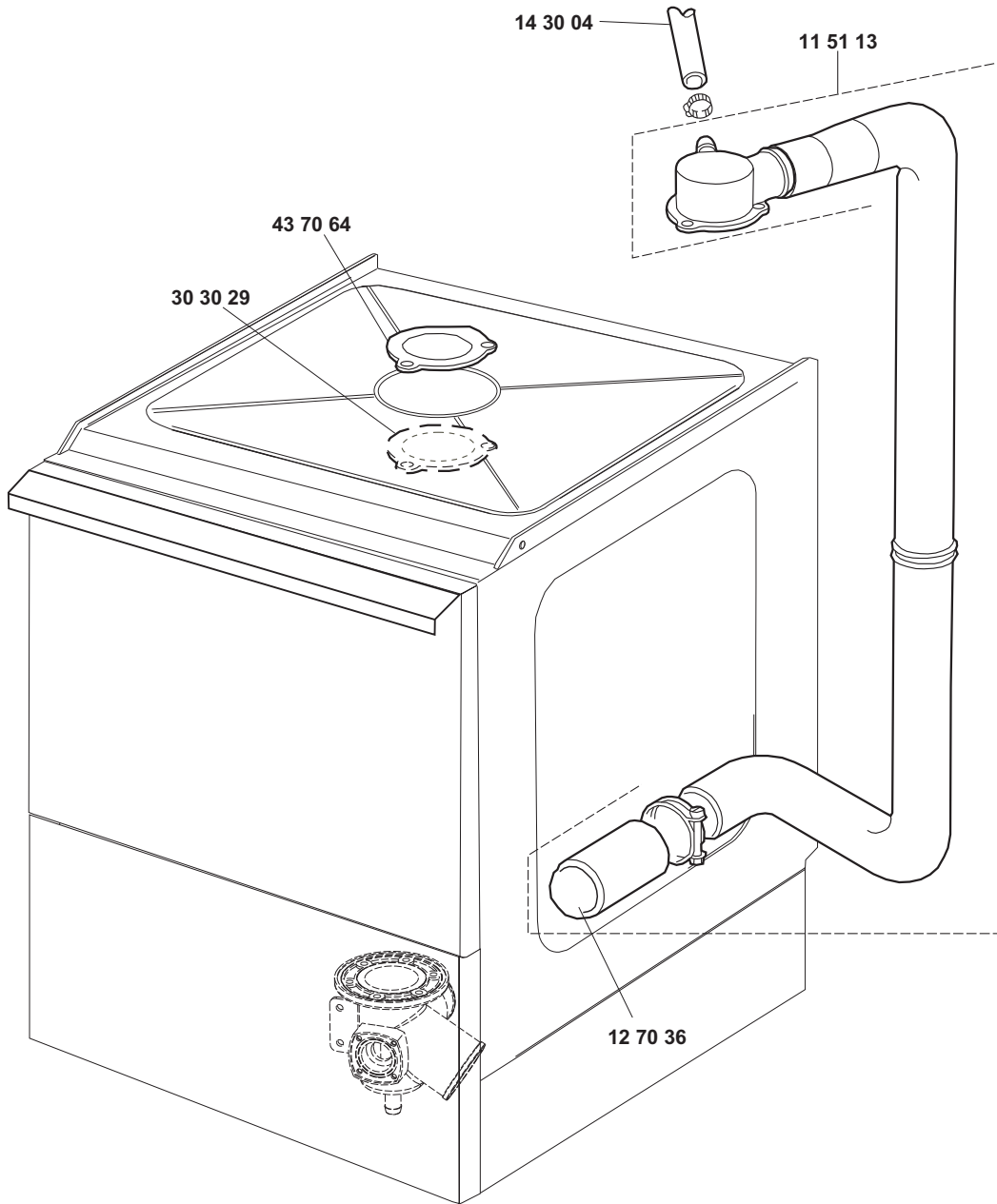
\* OPTIONAL



\* OPTIONAL

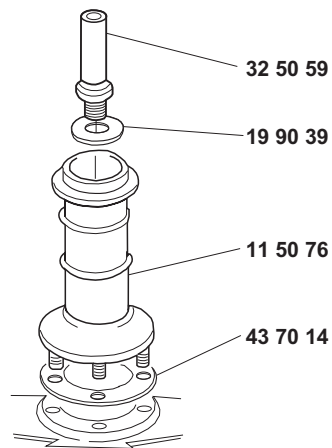
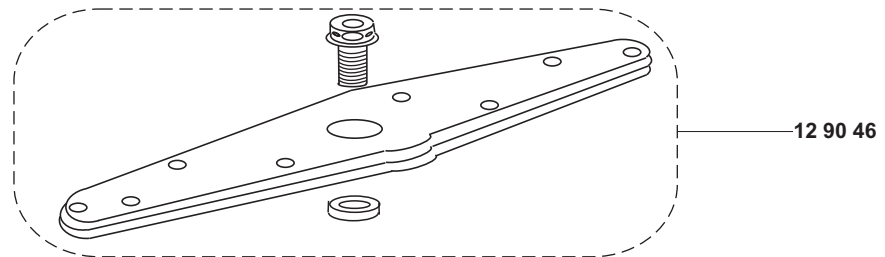
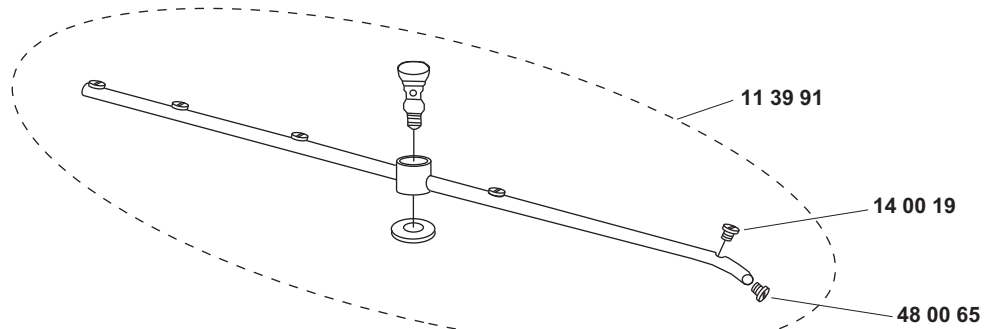
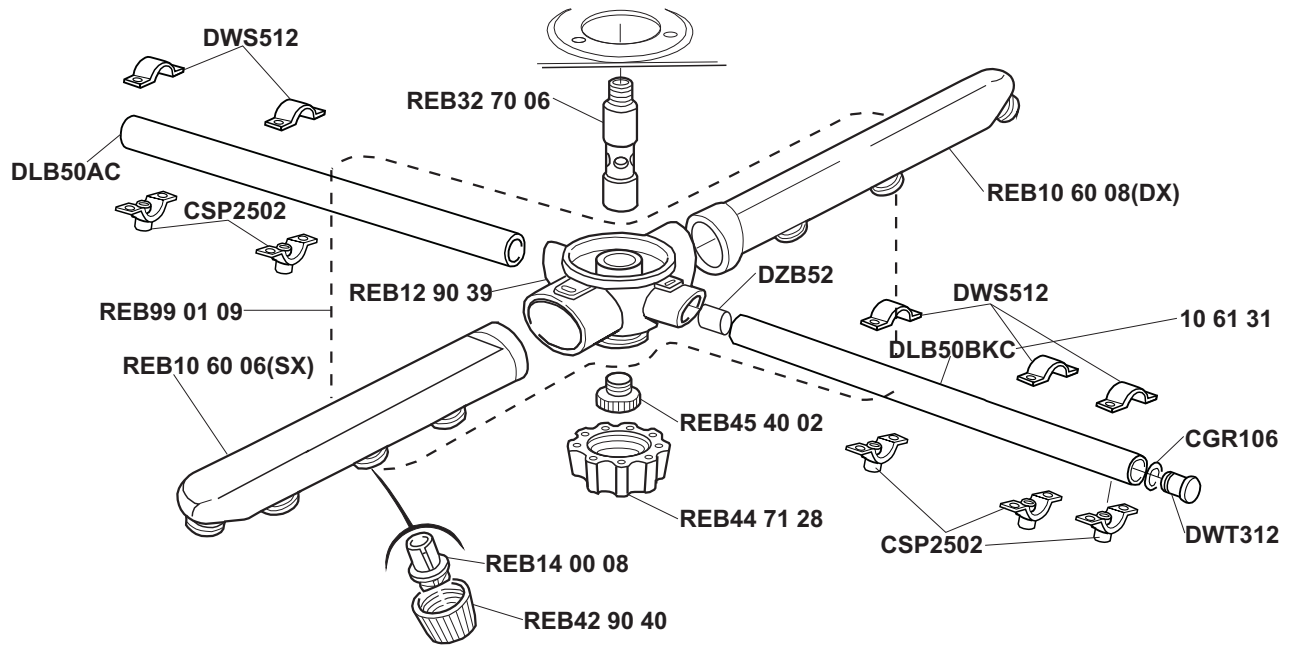


★ OPTIONAL





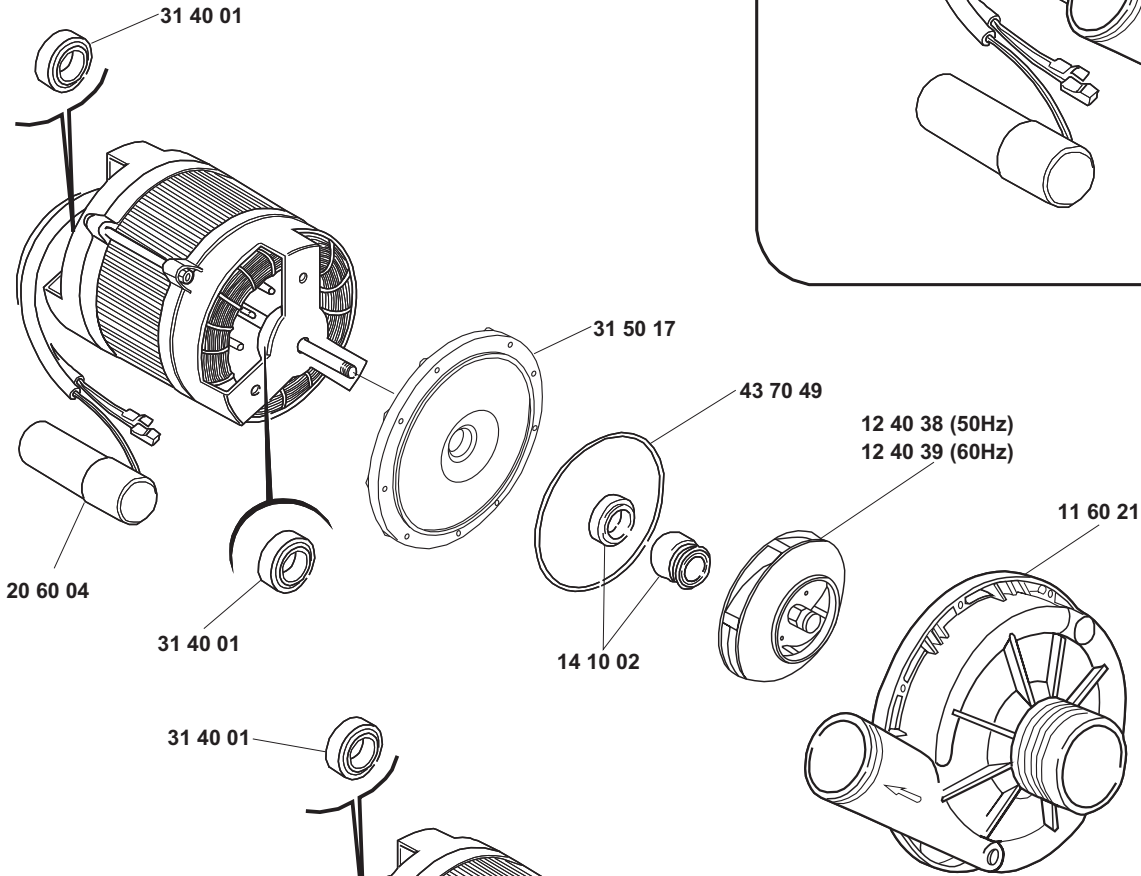
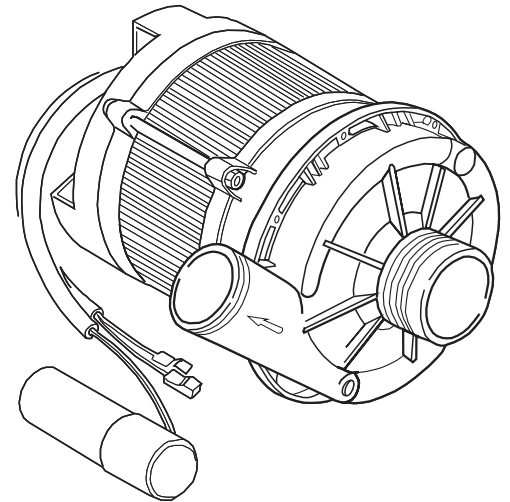
# 6



# B. 237

13 01 09 (230V- 50Hz)

13 01 19 (220V- 60Hz)



# T. 173

