

easicook.co.uk

Spare Parts Manual

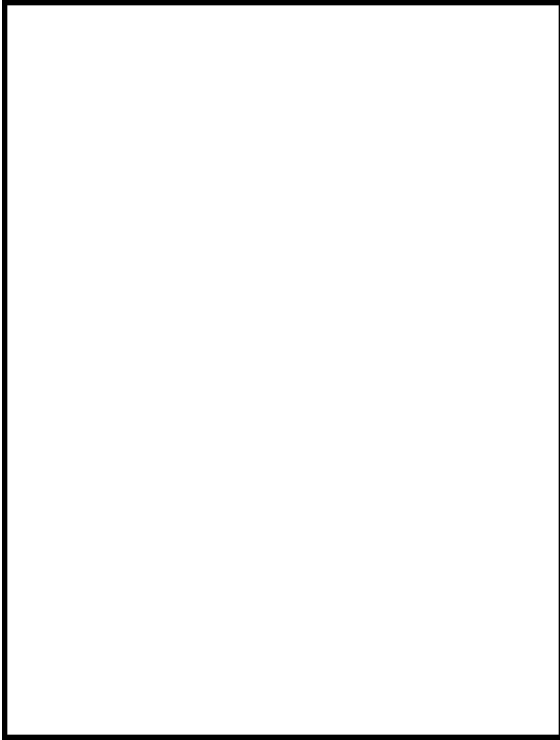
**Leading UK Distributors
of Catering Equipment Since 1977**

Sales - Repairs - Spares

Tel: 029 20747567

Fax: 029 20214100

Email: info@easicook.co.uk

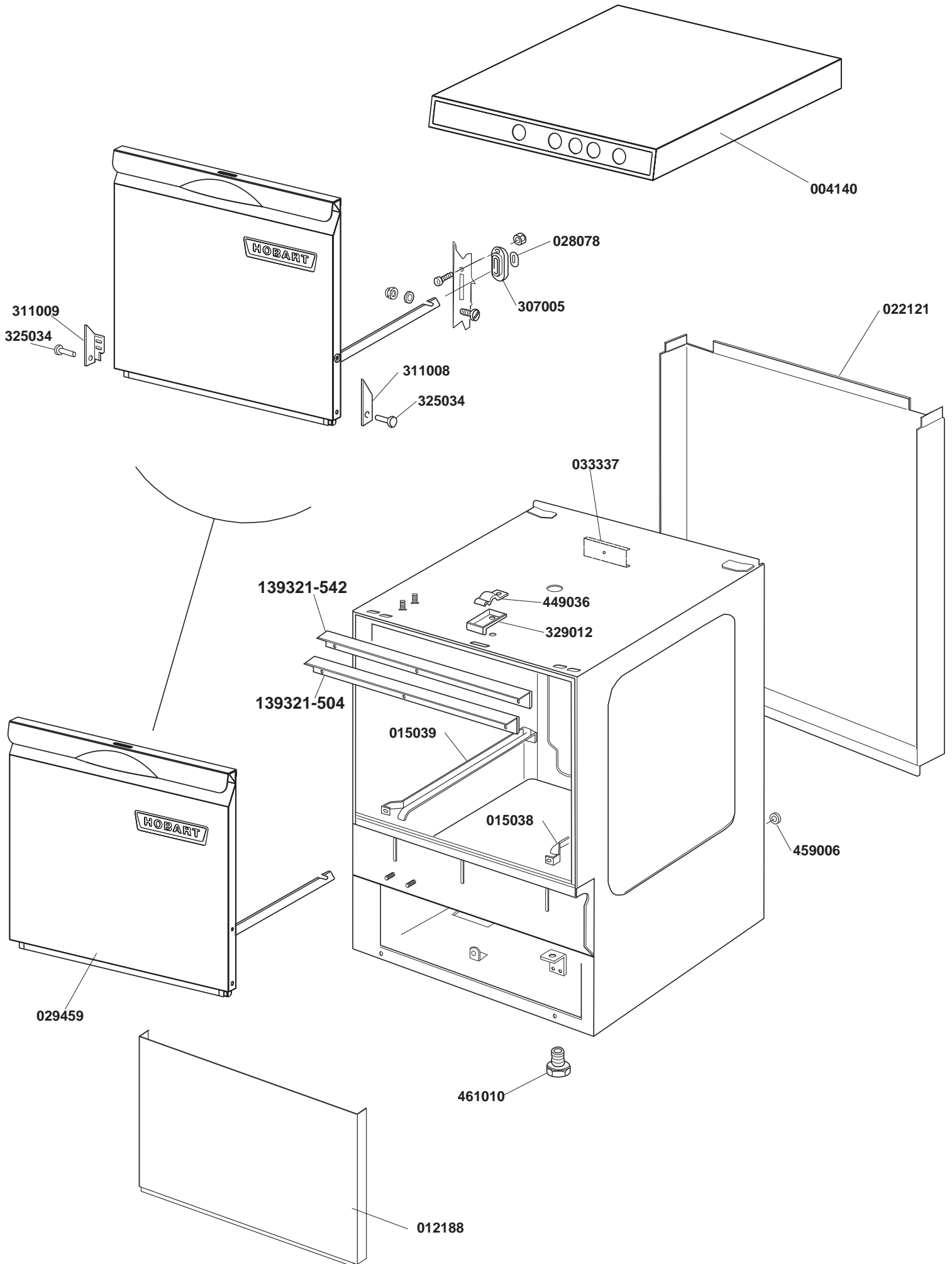


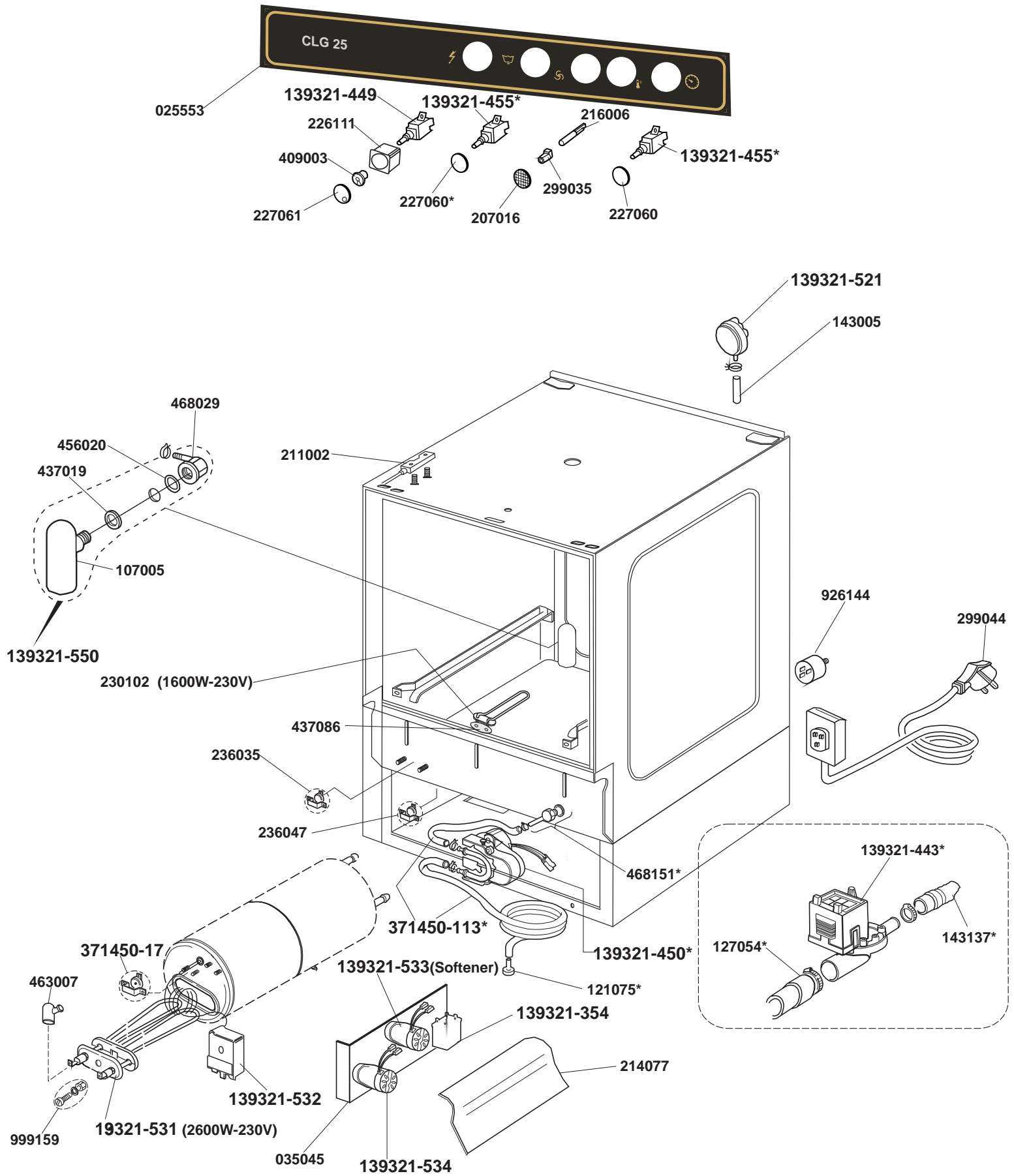
CLG 25



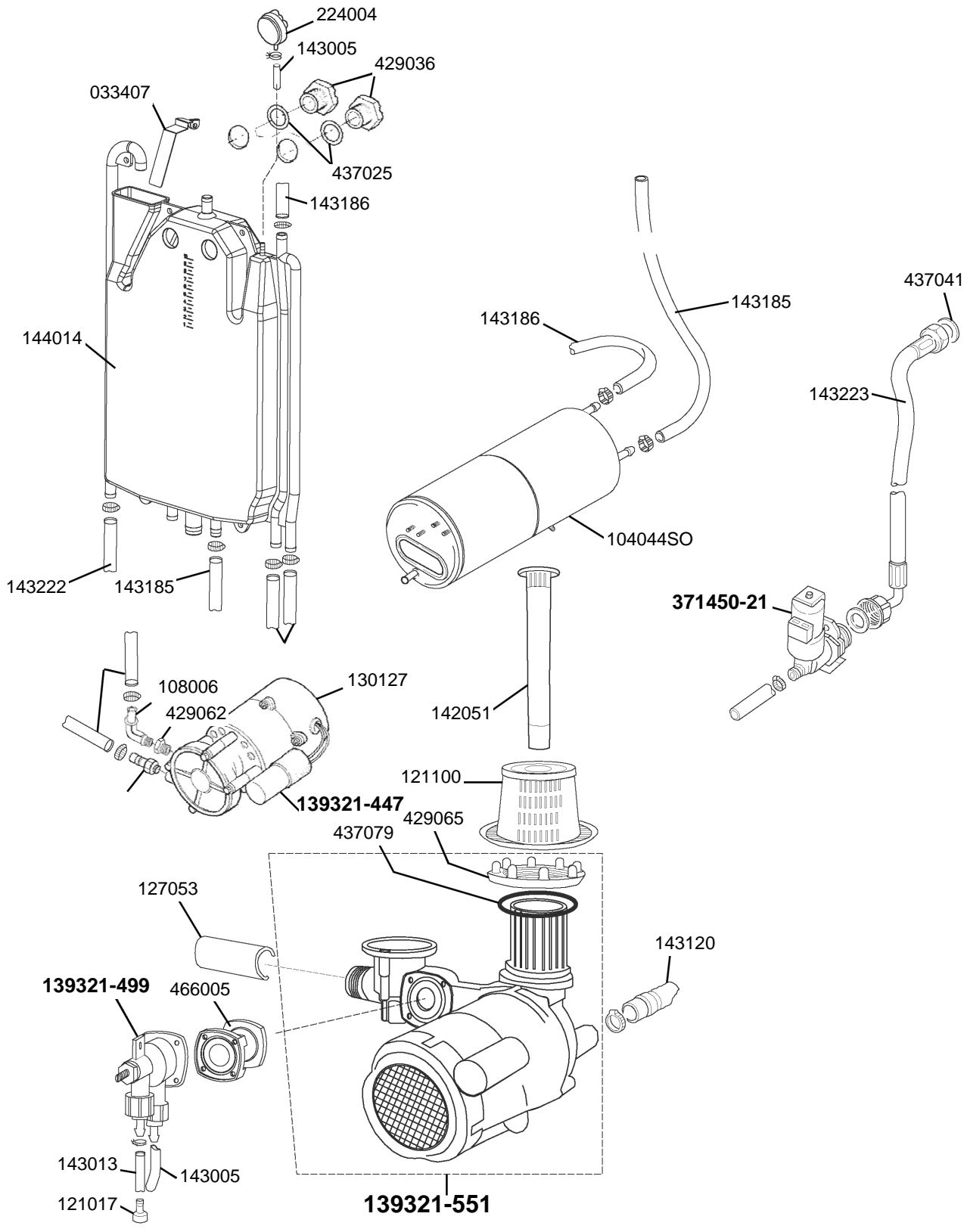
Spare Parts

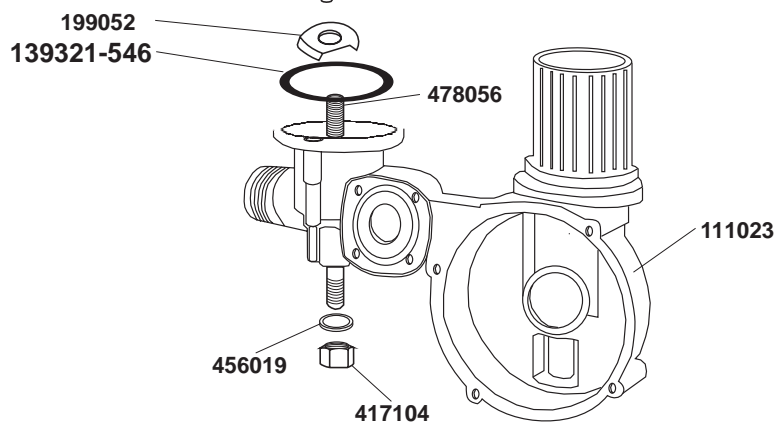
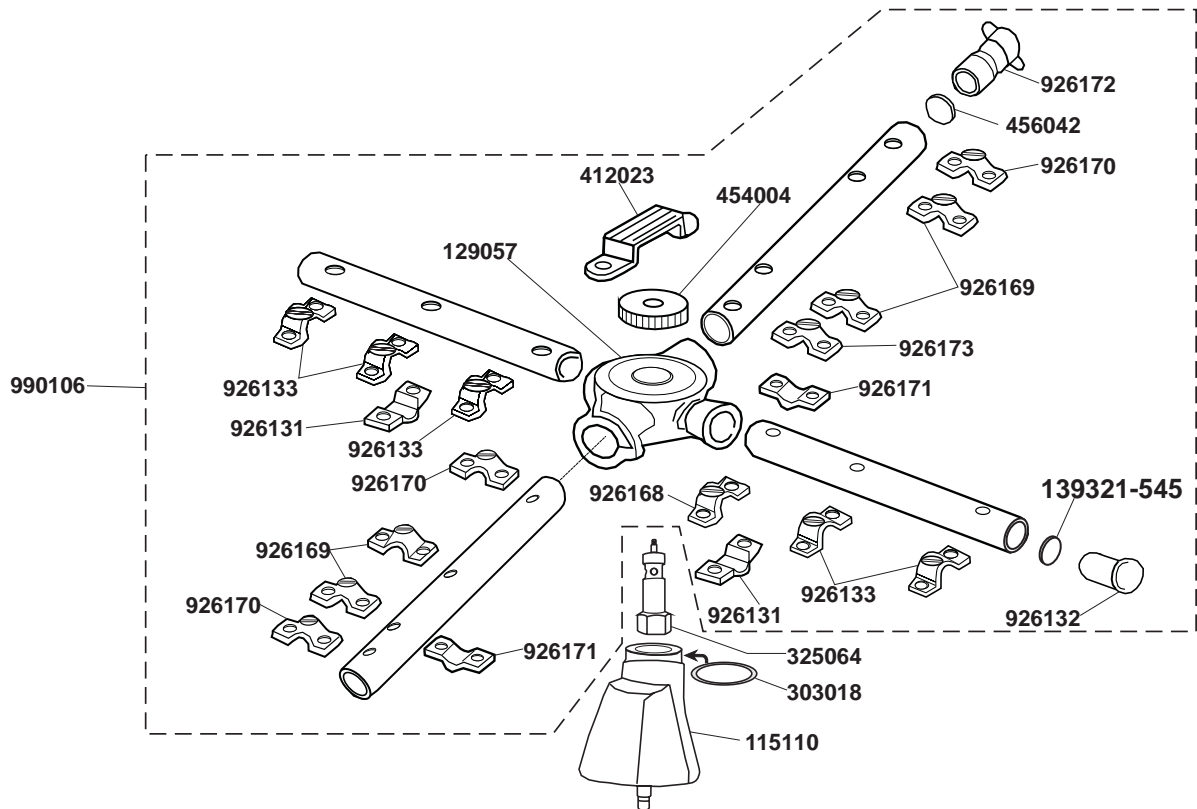
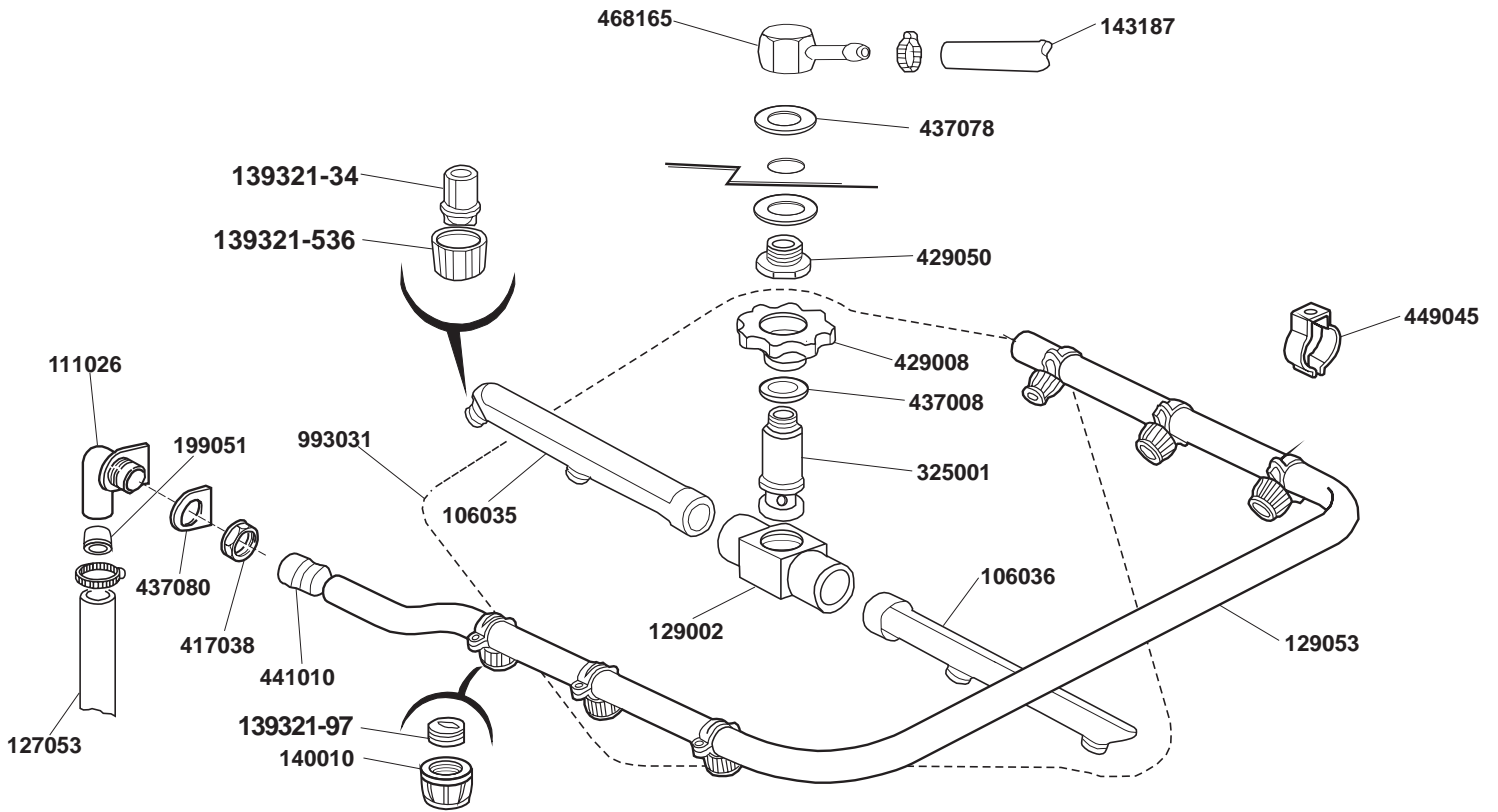


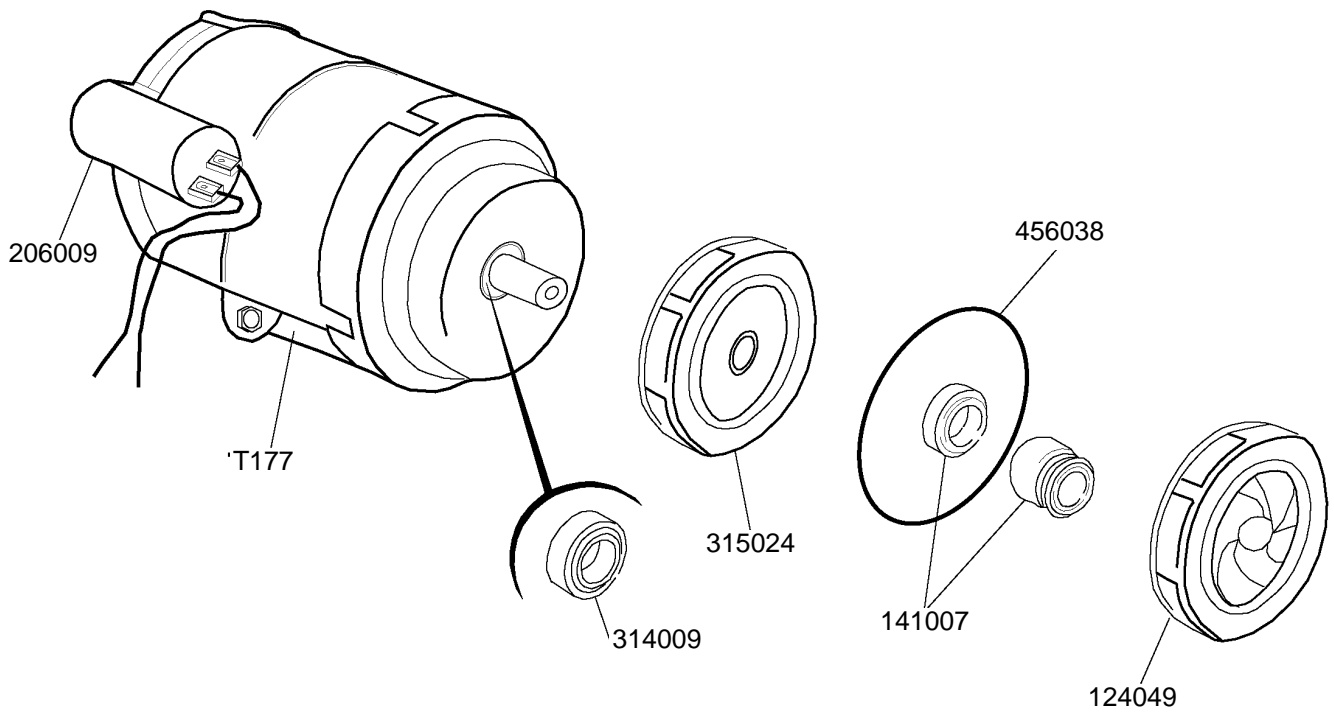




* OPTIONAL









As continued product improvement is a policy of HOBART, specifications are subject to change with-out notice.