

**easicook.co.uk**

**Spare Parts Manual**

**Leading UK Distributors  
of Catering Equipment Since 1977**

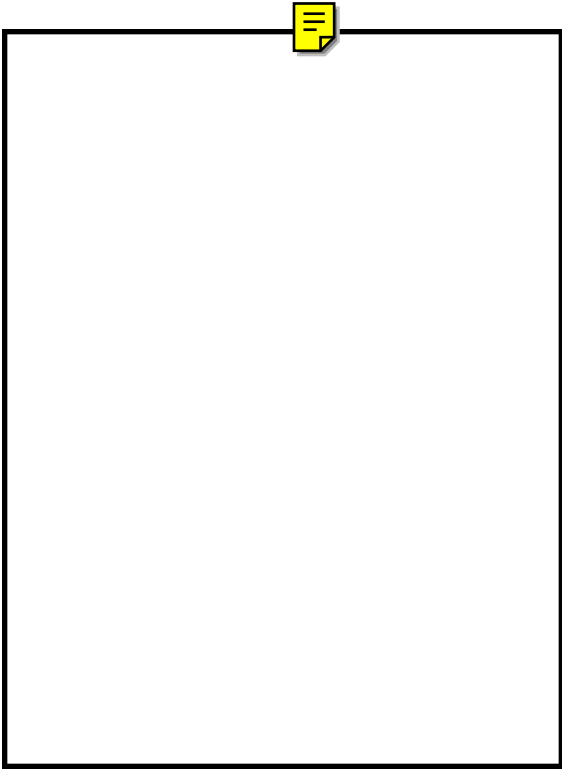
**Sales - Repairs - Spares**

**Tel: 029 20747567**

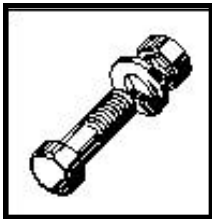
**Fax: 029 20214100**

**Email: [info@easicook.co.uk](mailto:info@easicook.co.uk)**

---

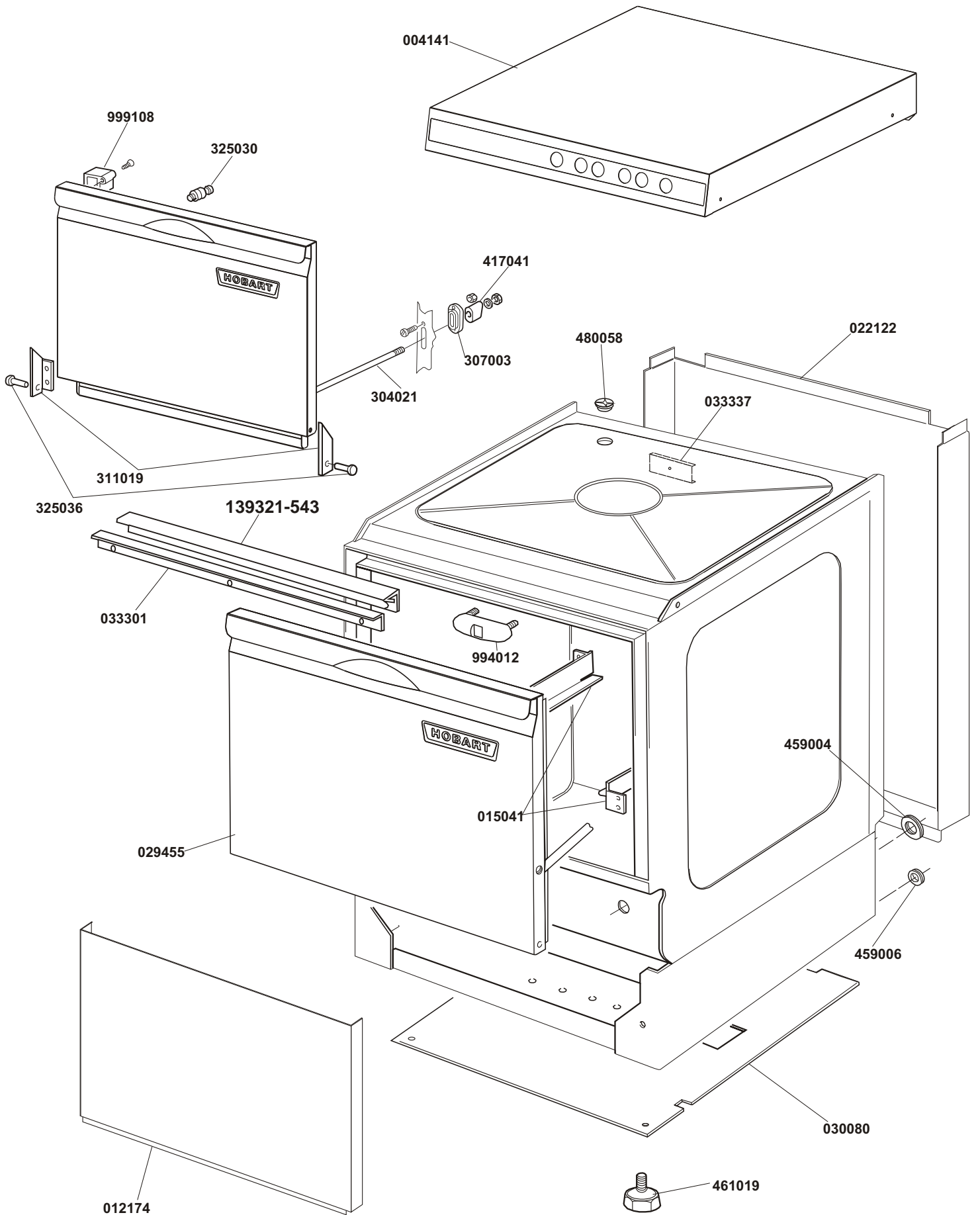


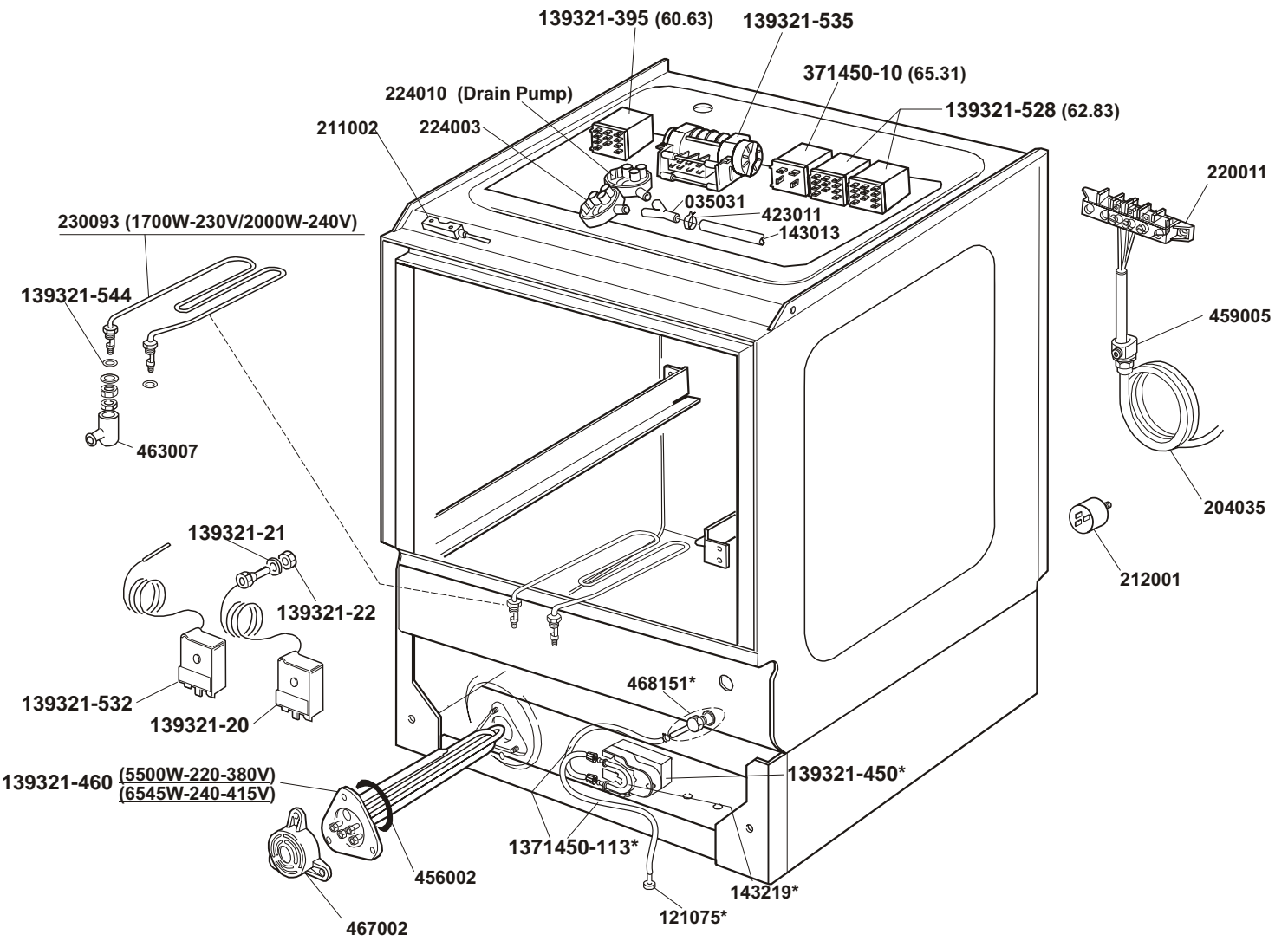
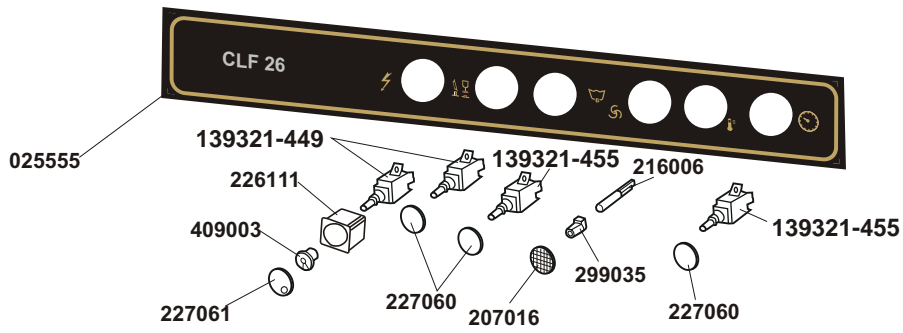
**CLF 26**



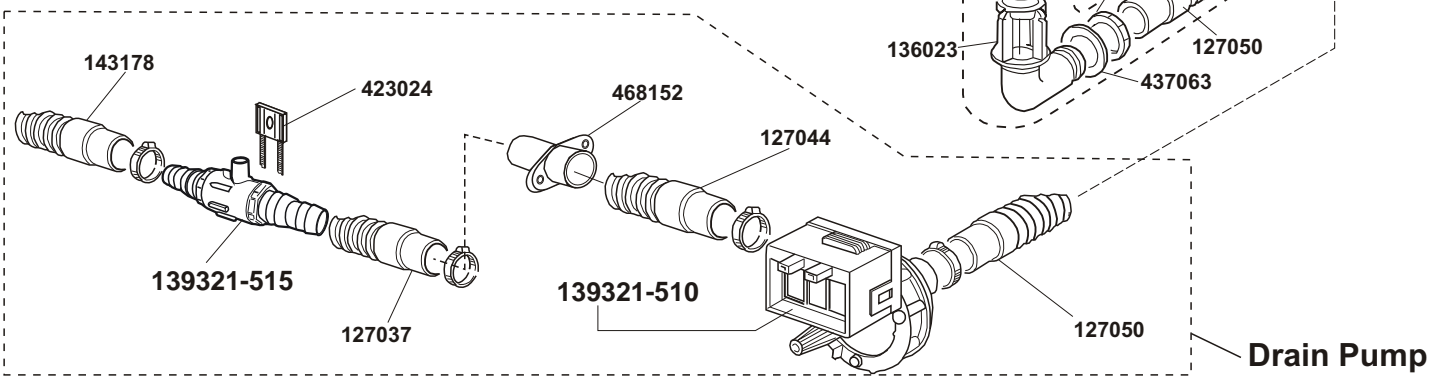
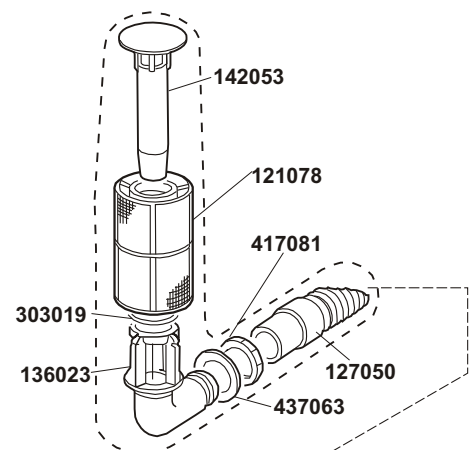
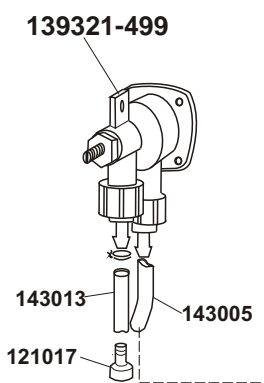
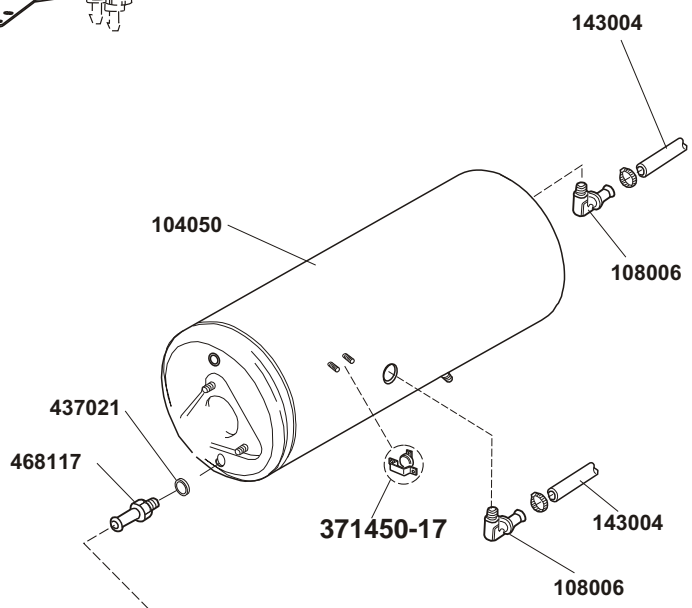
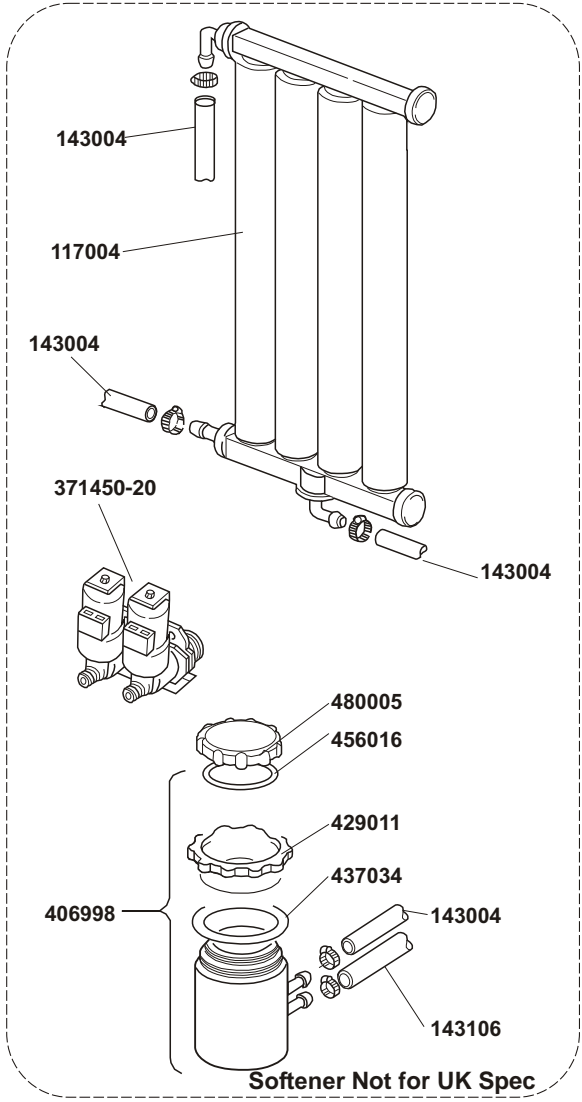
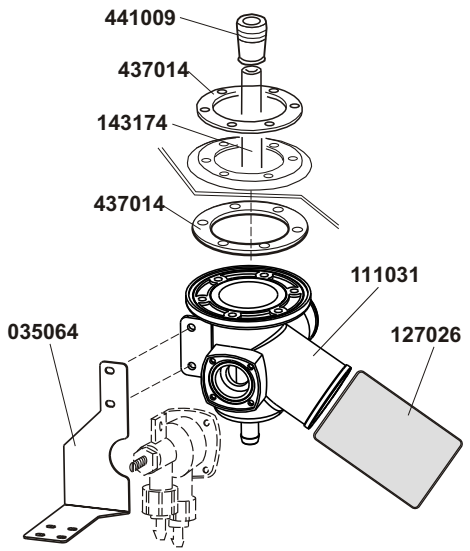
*Spare Parts*

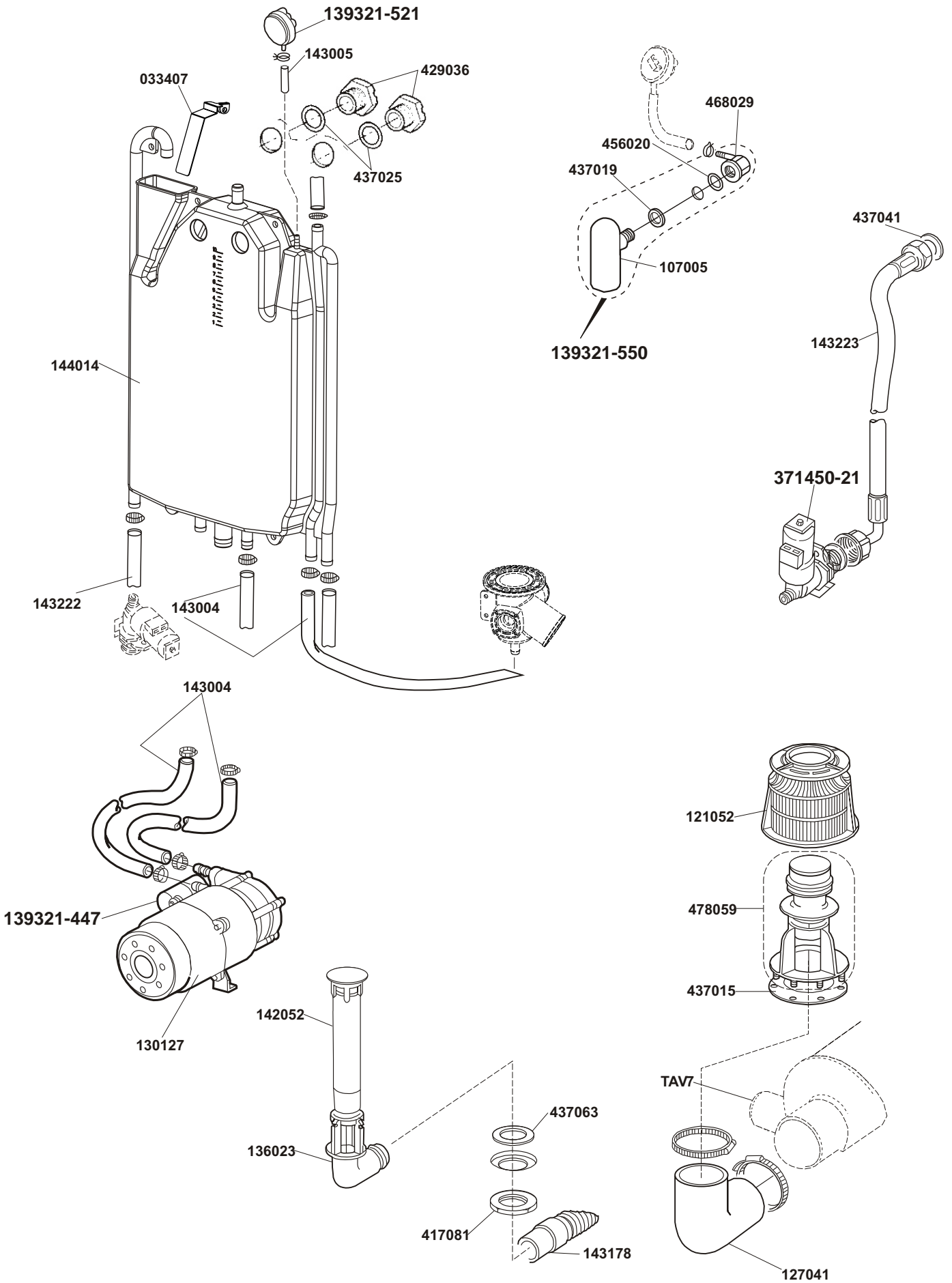


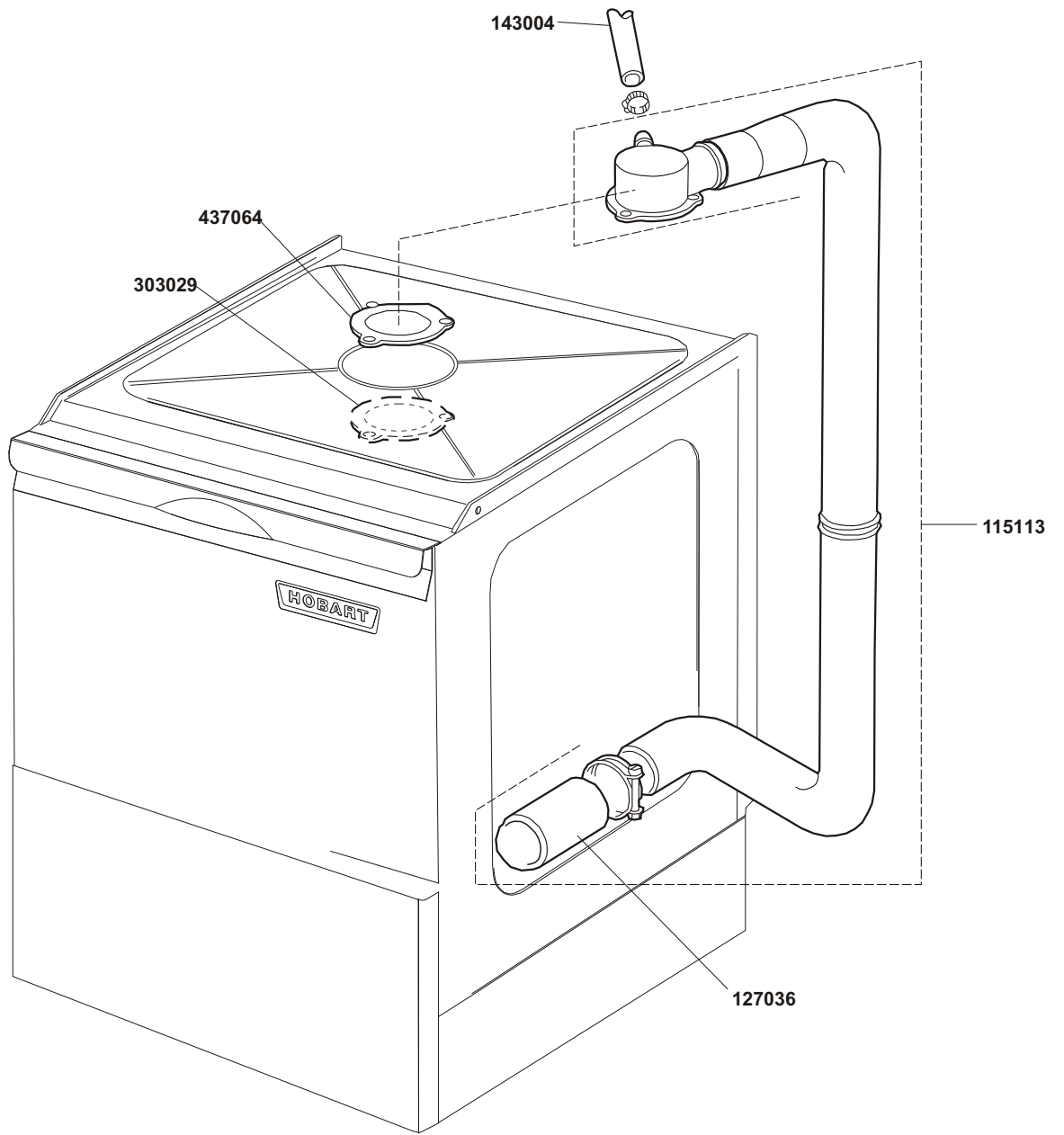


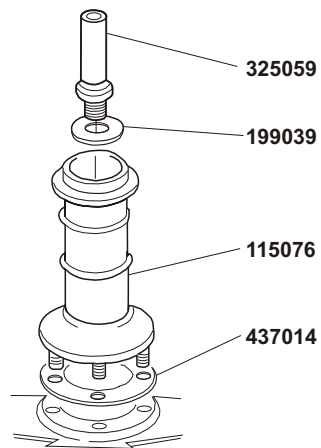
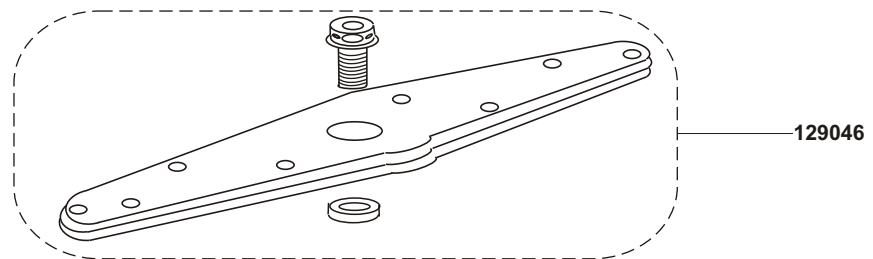
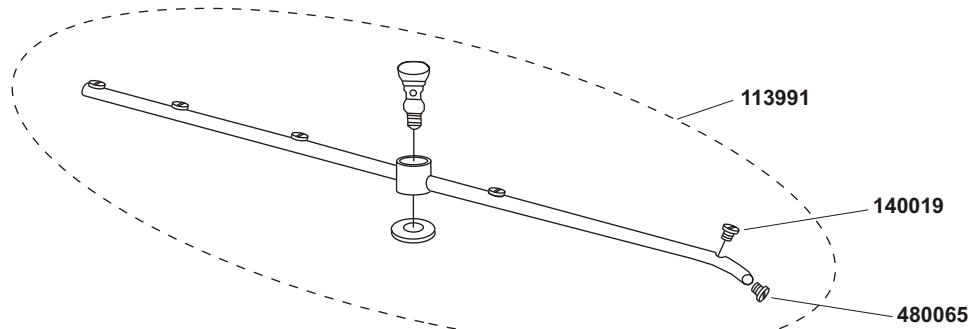
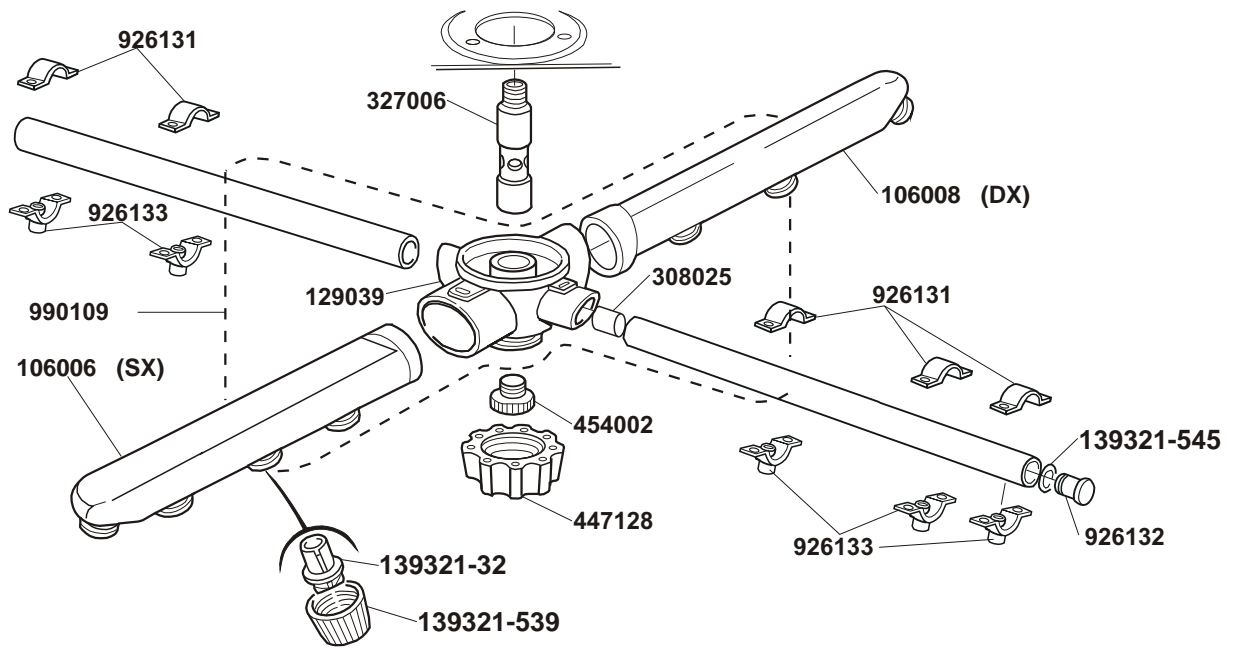


OPTIONAL\*

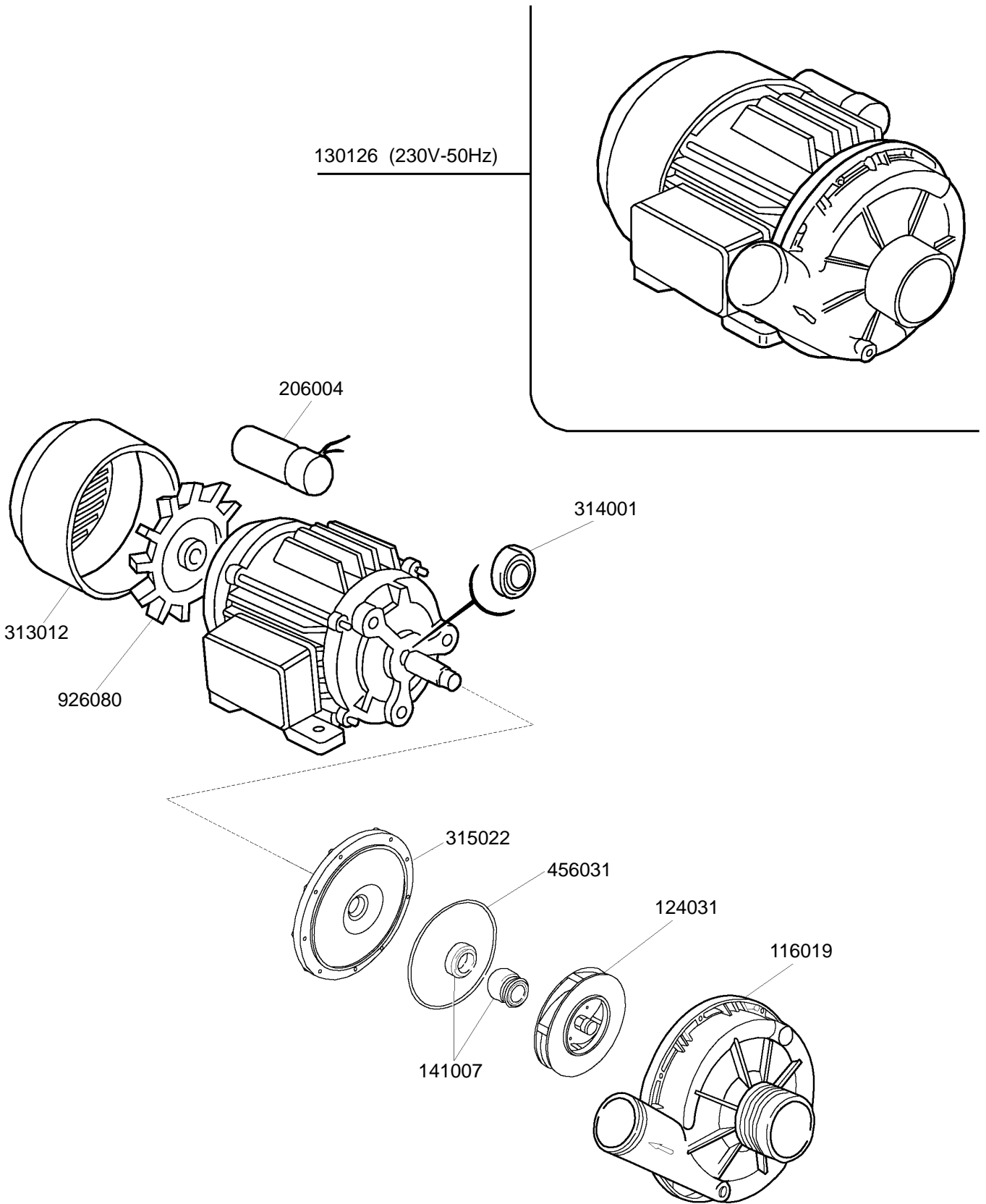














As continued product improvement is a policy of HOBART, specifications are subject to change with-out notice.