

easicook.co.uk

Spare Parts Manual

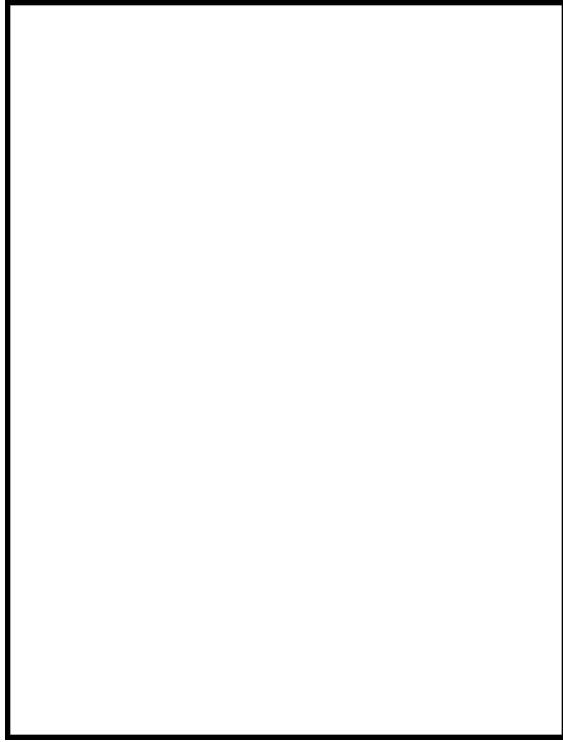
**Leading UK Distributors
of Catering Equipment Since 1977**

Sales - Repairs - Spares

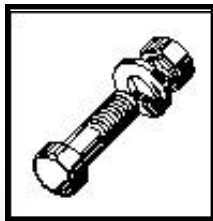
Tel: 029 20747567

Fax: 029 20214100

Email: info@easicook.co.uk



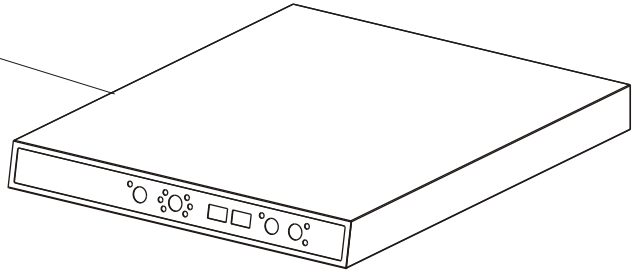
CHG 25



Spare Parts

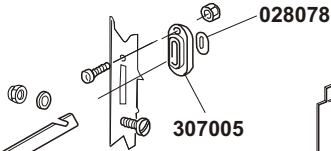
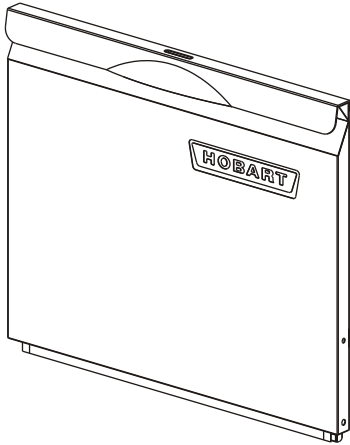


004138



311009

325034



028078

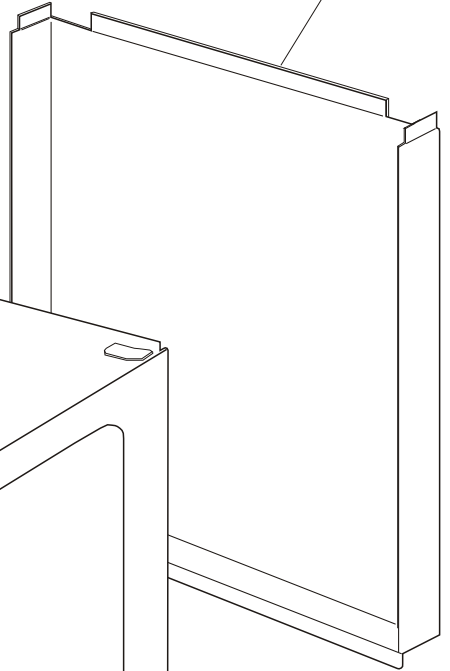
307005

022137

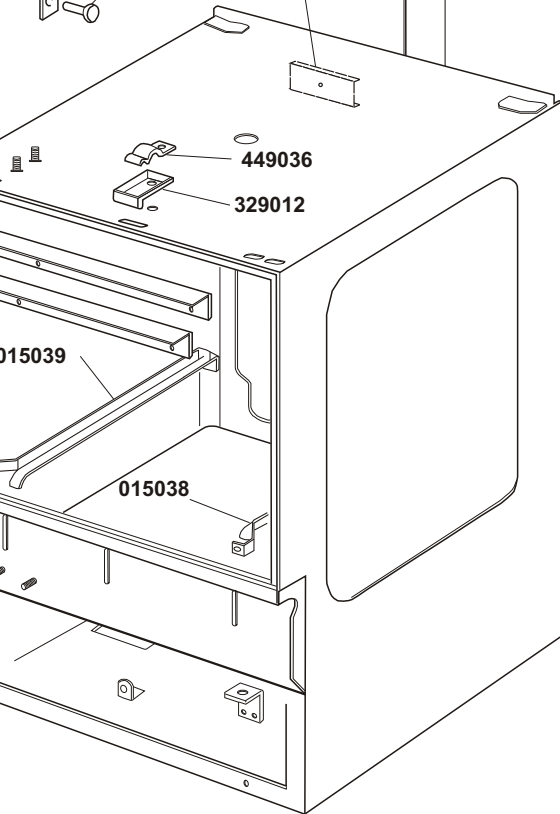
311008

325034

033337



139321-542



449036

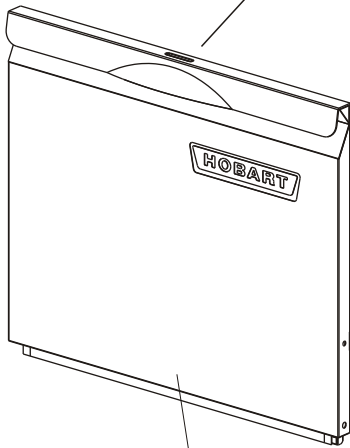
329012

139321-504

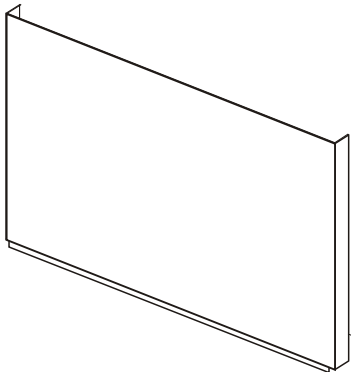
015039

015038

459006



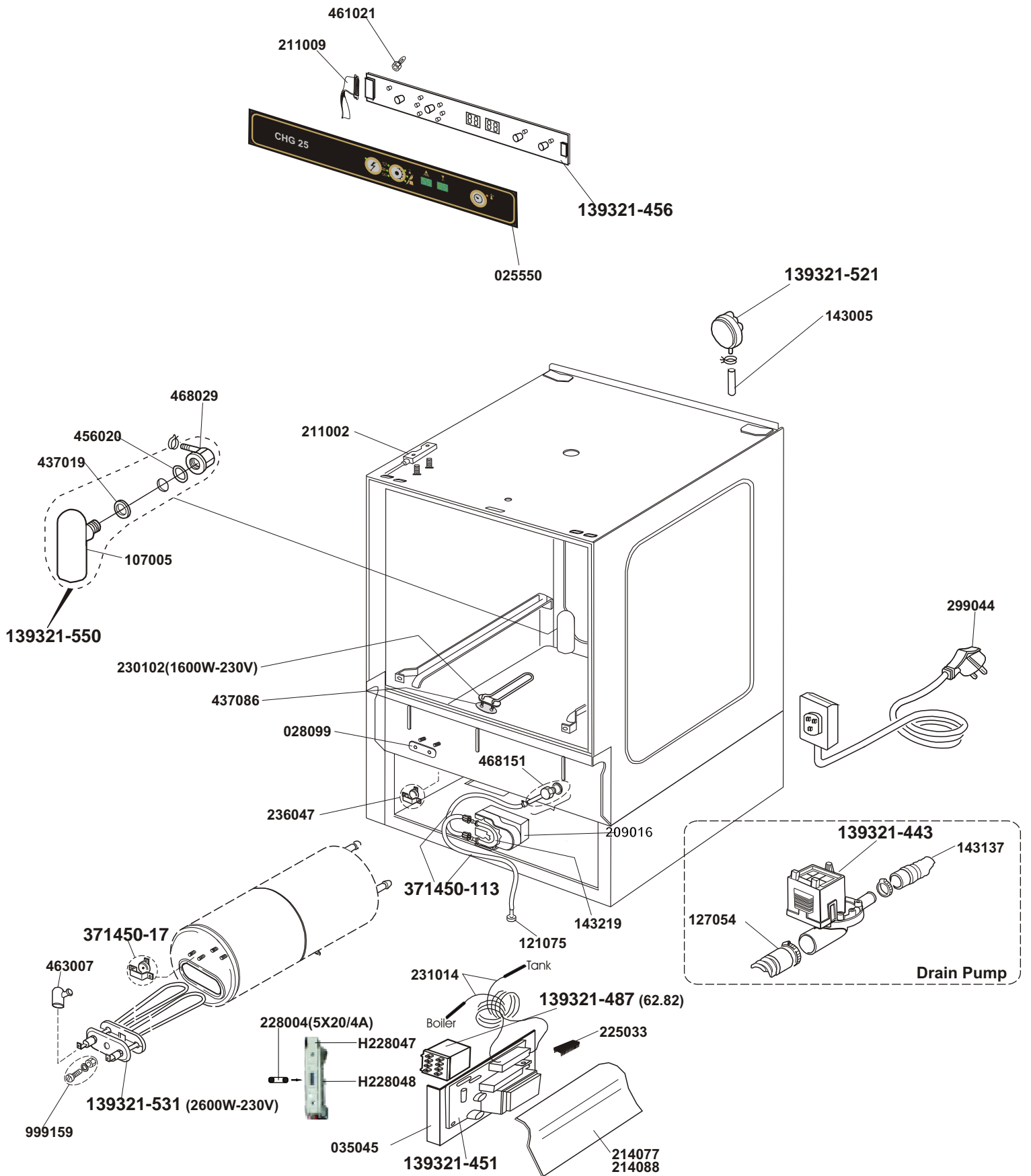
029454

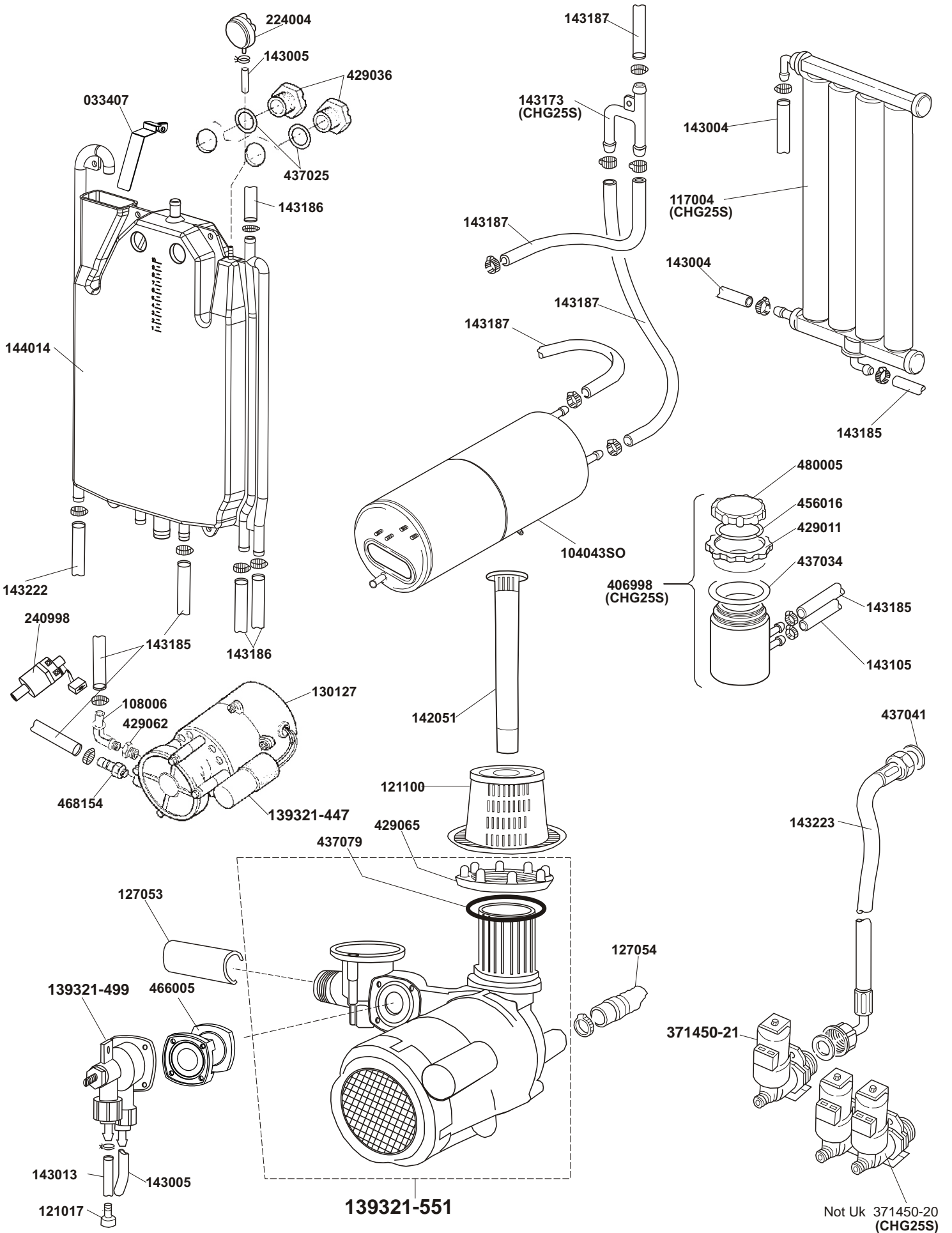


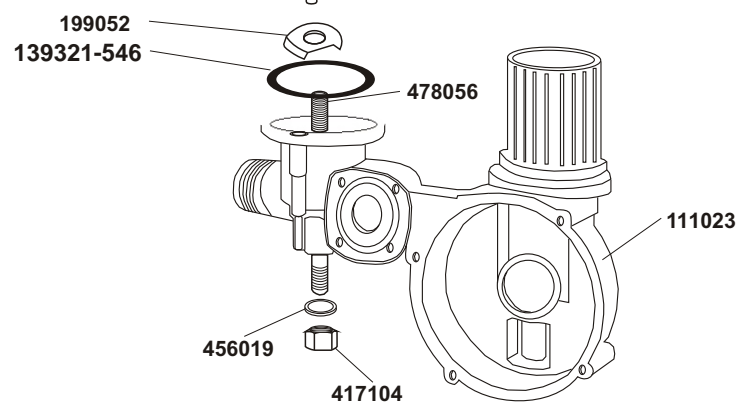
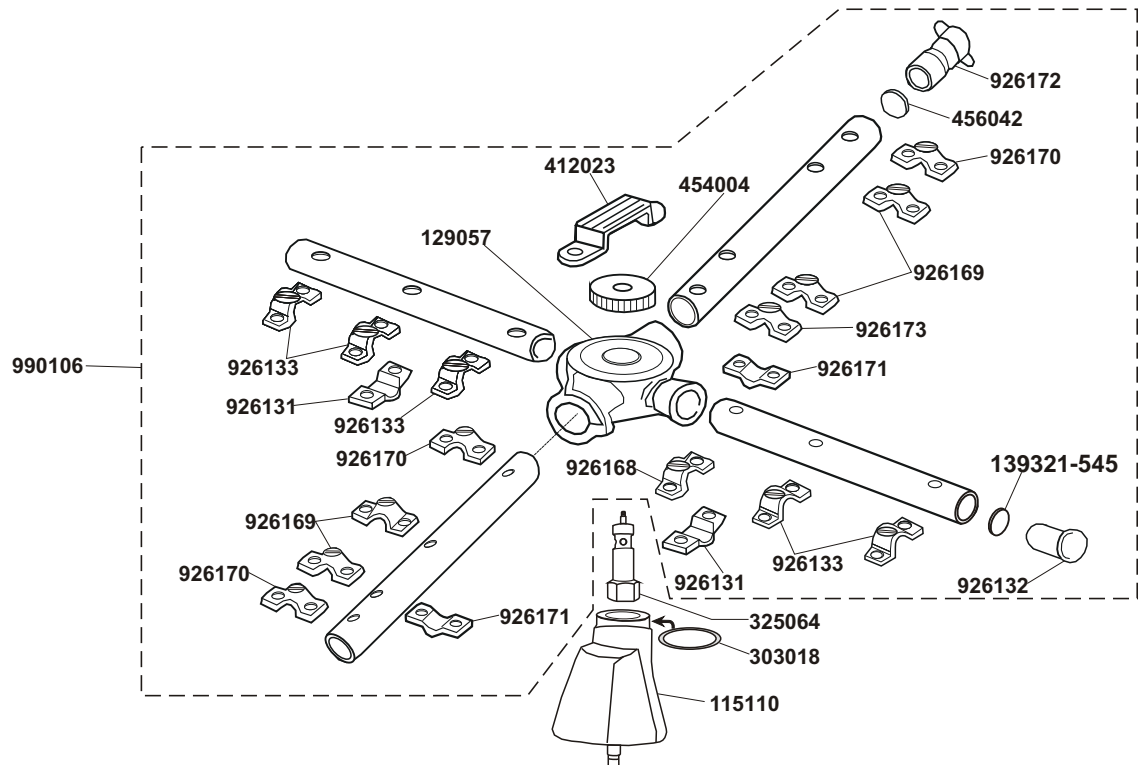
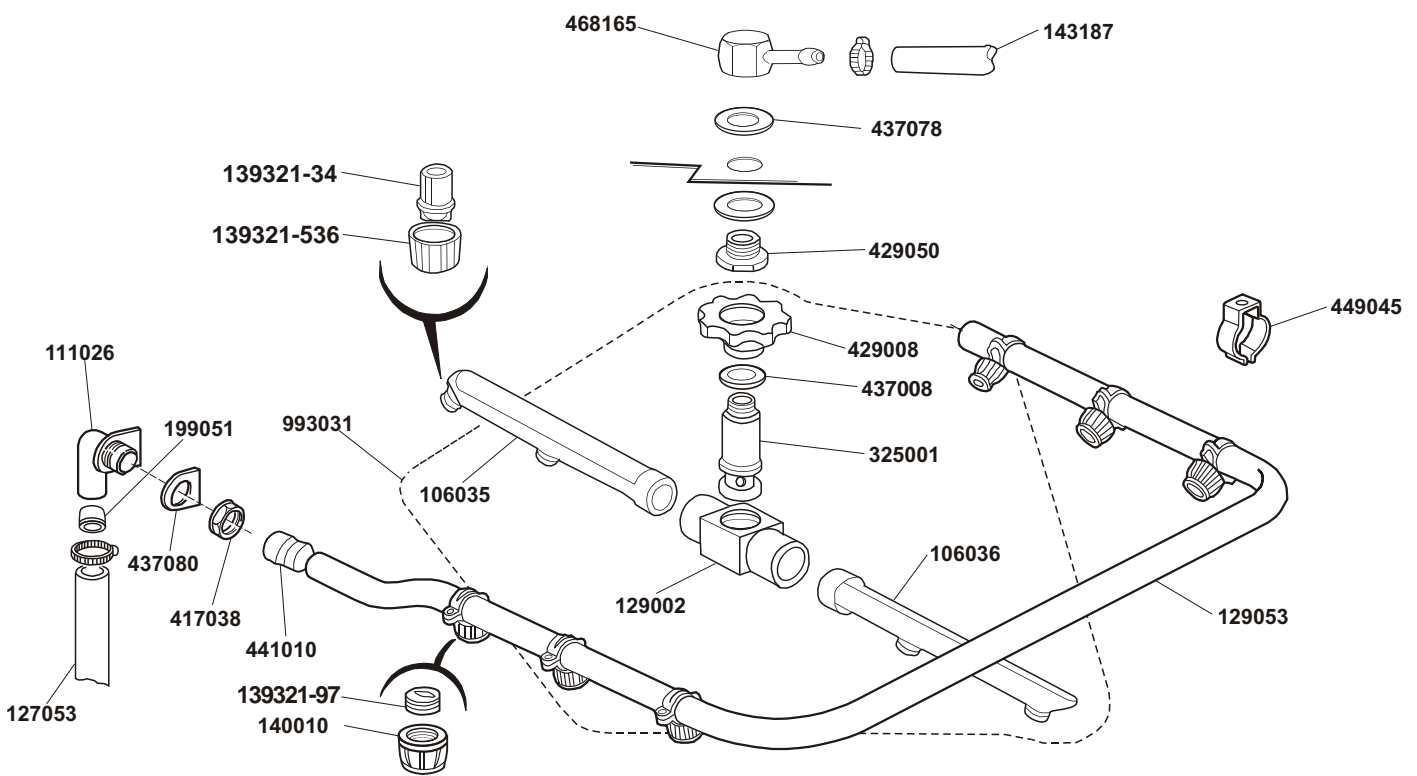
012188

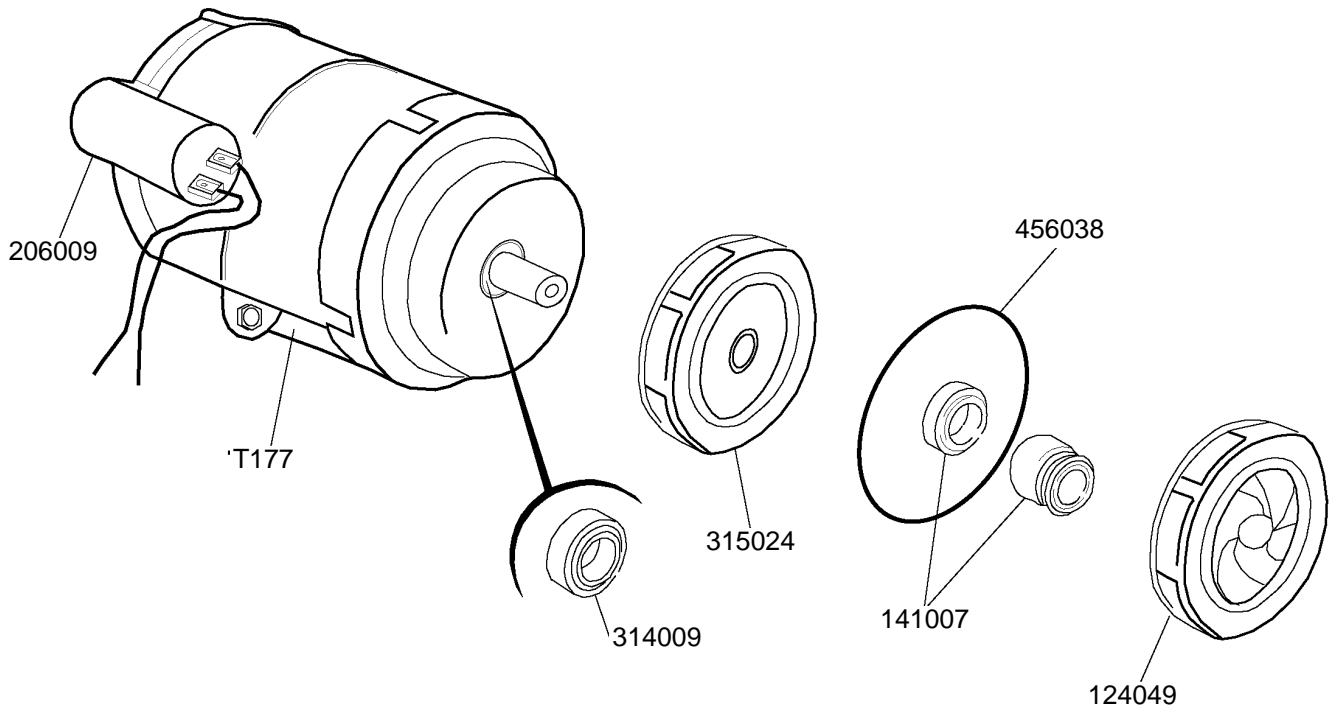


461010











As continued product improvement is a policy of HOBART, specifications are subject to change with-out notice.