

easicook.co.uk

Spare Parts Manual

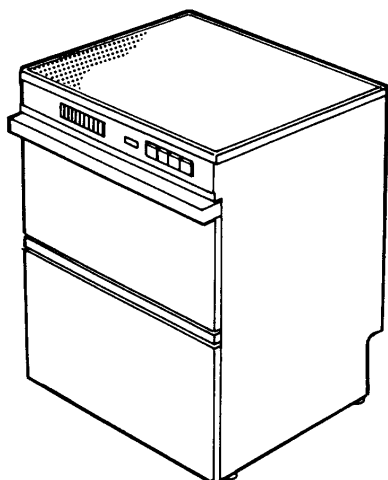
**Leading UK Distributors
of Catering Equipment Since 1977**

Sales - Repairs - Spares

Tel: 029 20747567

Fax: 029 20214100

Email: info@easicook.co.uk

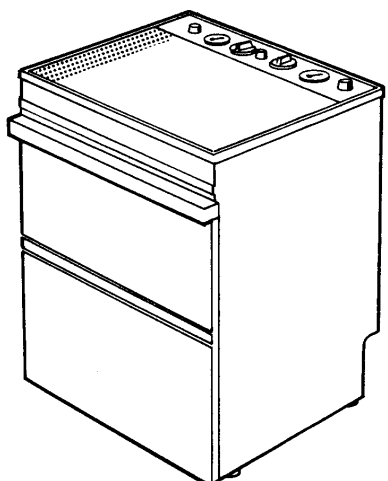


Spare Parts List

GS 9 / 10 / 22 / 32

Revised 08/98

Part no. 89001324



Summary

Base frame, panel, tank heating,
drain, Mediamat

Page 1 and 2

Water supply

Page 3 and 4

Wash system I

Page 5 and 6

Wash system II

Page 7 and 8

Boiler and rinsing

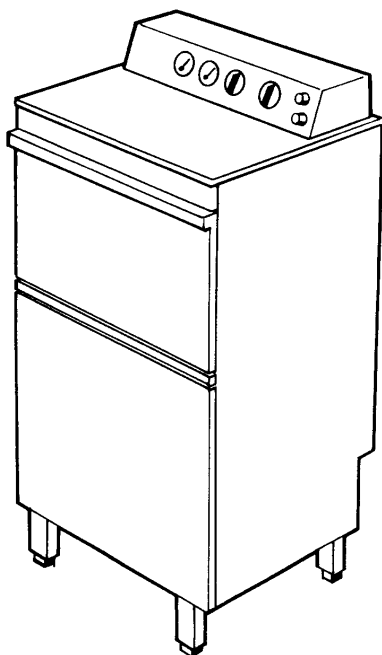
Page 9 and 10

Door, frame, rails

Page 11 and 12

Electrical parts

Page 13 and 14

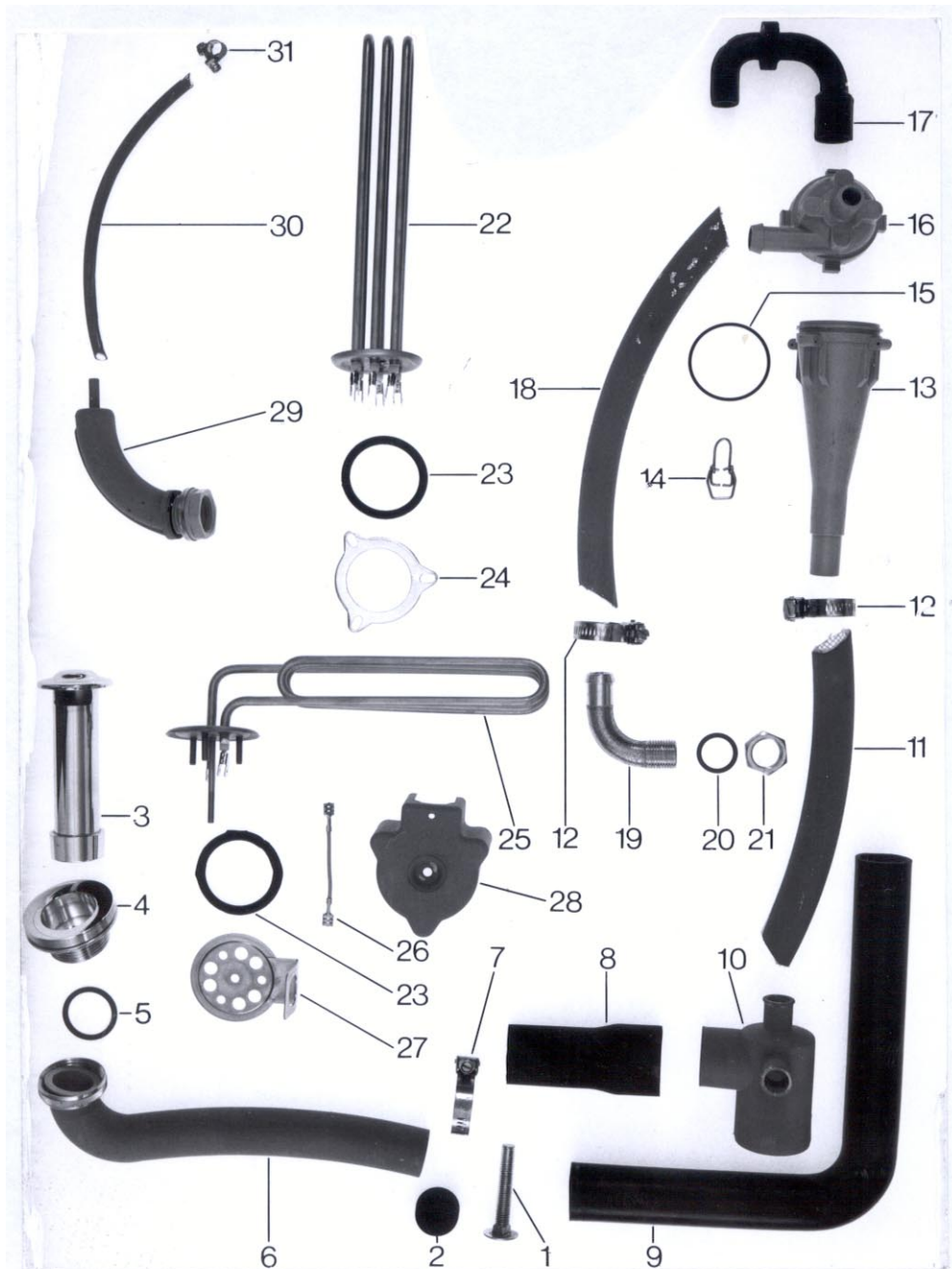


The parts marked ★ are also contained in other spare parts lists.

Racks and accessories see separate list.

GS 9 / 10 / 22 / 32

Untergestell, Verkleidung, Tankheizung, Ablauf, Mediamat
Base frame, panel, tank heating, drain, Mediamat
Châssis, habillage, chauffage cuve, écoulement, Médiamat

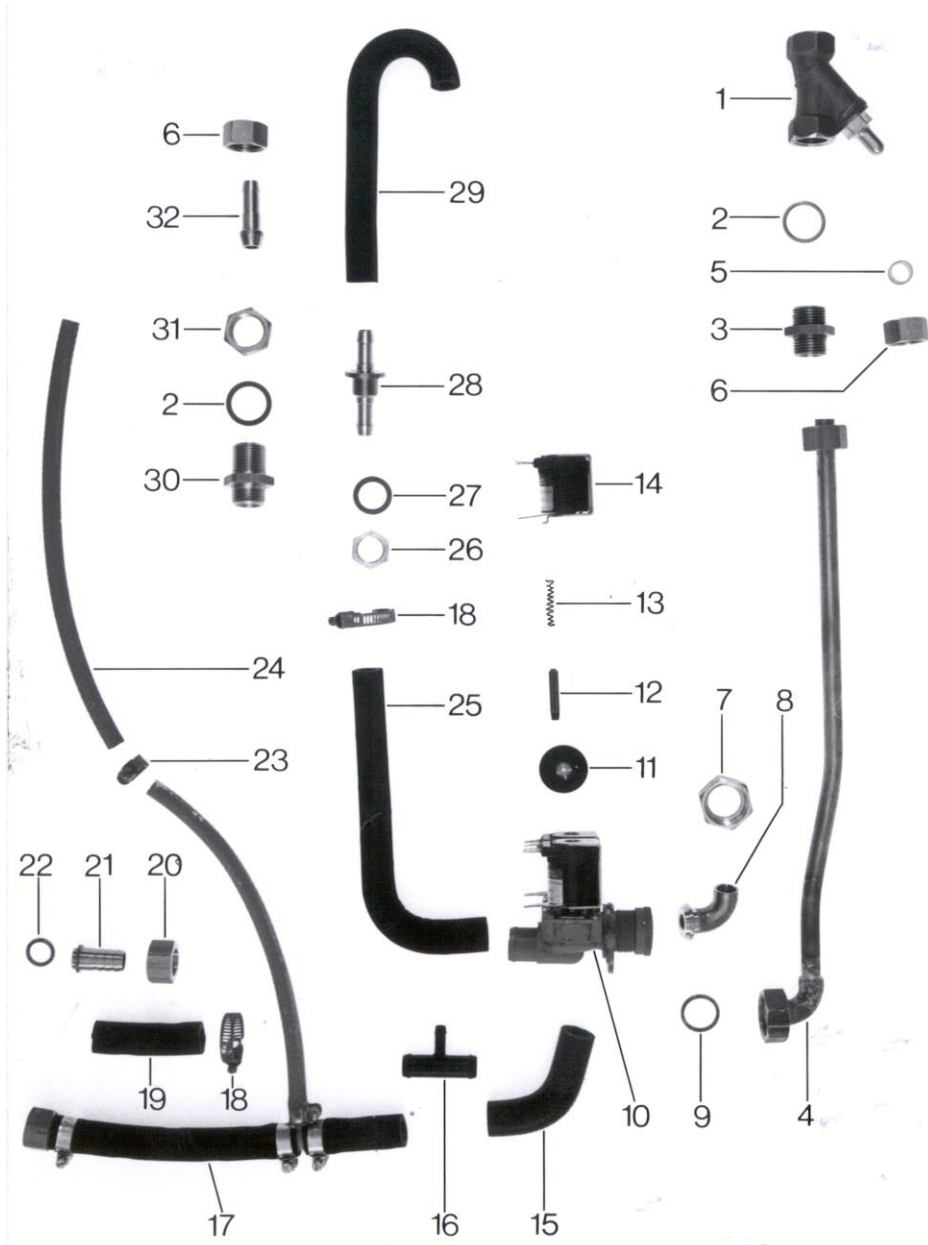


GS 9 / 10 / 22 / 32 Base frame, panel, tank heating, drain, Mediamat

Pos.	Designation	Part no.	9	10	22	32	Notes
1	Saucer-head screw M 10 x 60	20 01 360	x	x	x		
2	Rubber buffer ø 30 x 18	40 06 001				x	
n.p.	Supporting spring	55 03 021	x	x	x	x	
n.p.	Sheet-metal nut	21 17 300					
n.p.	Lateral panel right	55 03 001	x	x	x		
n.p.	Lateral panel left	55 03 002	x	x	x		
n.p.	Lateral panel right	55 03 005				x	
n.p.	Lateral panel left	55 03 006				x	
n.p.	Front panel	55 03 009	x	x	x		
n.p.	Front panel	55 03 031	x	x			
n.p.	Front panel	55 03 011				x	
n.p.	Inside panel	35 01 507	x	x	x		
n.p.	Top cover plate	55 17 007	x	x			
n.p.	Inside panel	35 01 502				x	
n.p.	Heating element 2,8 kW 220 V	31 03 047	★	x			angled, flat tank
n.p.	Heating element 2,8 kW 240 V	31 03 055	★	x			angled
3	Standpipe 90 mm high	29 04 231		x	x		5/78 until 5/84
n.p.	Standpipe 195 mm high	29 04 249		x	x		until 4/78, as from 6/84
n.p.	Standpipe 195 mm high	29 04 249	★			x	
n.p.	Standpipe 185 mm high	61004192	★				x
4	Standp. bottom part 1 1/4"	29 04 202	★	x	x	x	x
n.p.	Seal	29 04 253					
5	Seal 39 x ø 32	27 02 001	★	x	x	x	x
6	Siphon	29 04 503	★	x	x	x	x
n.p.	Coupling nut	29 07 209					
7	Hose clip 32-52 mm	28 02 110	★	x	x	x	x
8	Reducing hose piece 32/40	40 03 024	★				x
9	Drain hose bent	40 03 004	★	x	x	x	
10	Mediamat drain	35 01 080	★				x
11	Fabric hose synth. 19 x 4	40 01 016	★				x
12	Hose clip 20-30 mm	28 02 109	★				x
13	Accelerator	35 01 035	★				x
n.p.	Mediamat plug	35 01 123					
14	End piece locking	28 04 041	★				x
15	O-ring 51 x 3,0	27 07 043	★				x
16	Head piece	35 01 124	★				x
17	Mediamat inlet	55 31 001	★				x
18	Fabric hose synth. 16 x 4	40 01 015	★				x
19	Mediamat connection 1/2" x ø 18	29 06 201	★				x
20	Seal 28 x ø 21	27 09 011	★				x
21	Locking nut 1/2" BSP	30 09 201	★				x
22	Heating element 3 kW 220/380 V	31 03 027			x	x	
n.p.	Heating element 3 kW 240/420 V	31 03 029			x	x	
23	O-ring for heating elem.	27 07 015	★	x	x	x	x
24	Clamping plate	01 17 003	★	x	x	x	x
25	Heating element 6 kW 220/380 V	31 03 025	★				x
n.p.	Heating element 6 kW 240/420 V	31 03 042	★				x
26	Link wire	31 23 088	★		x	x	x
27	Tank heating flange	31 03 067	★	x			x
28	Covering cap	31 03 014	★	x	x	x	x
29	Air chamber	55 04 024	★	x	x	x	x
30	Detergent hose NW 5 x 3	40 01 024	★	x	x	x	x
31	Hose clip ø 9	28 02 102	★	x	x	x	x
n.p.	Heating element 2,8 kW 220 V	31 03 015		x			
n.p.	Heating element 2,8 kW 220 V	31 03 047		x			
							GS 7 with deep tank
							GS 7 with flat tank

GS 9 / 10 / 22 / 32

Wassenzulauf Water inlet Amenée d'eau



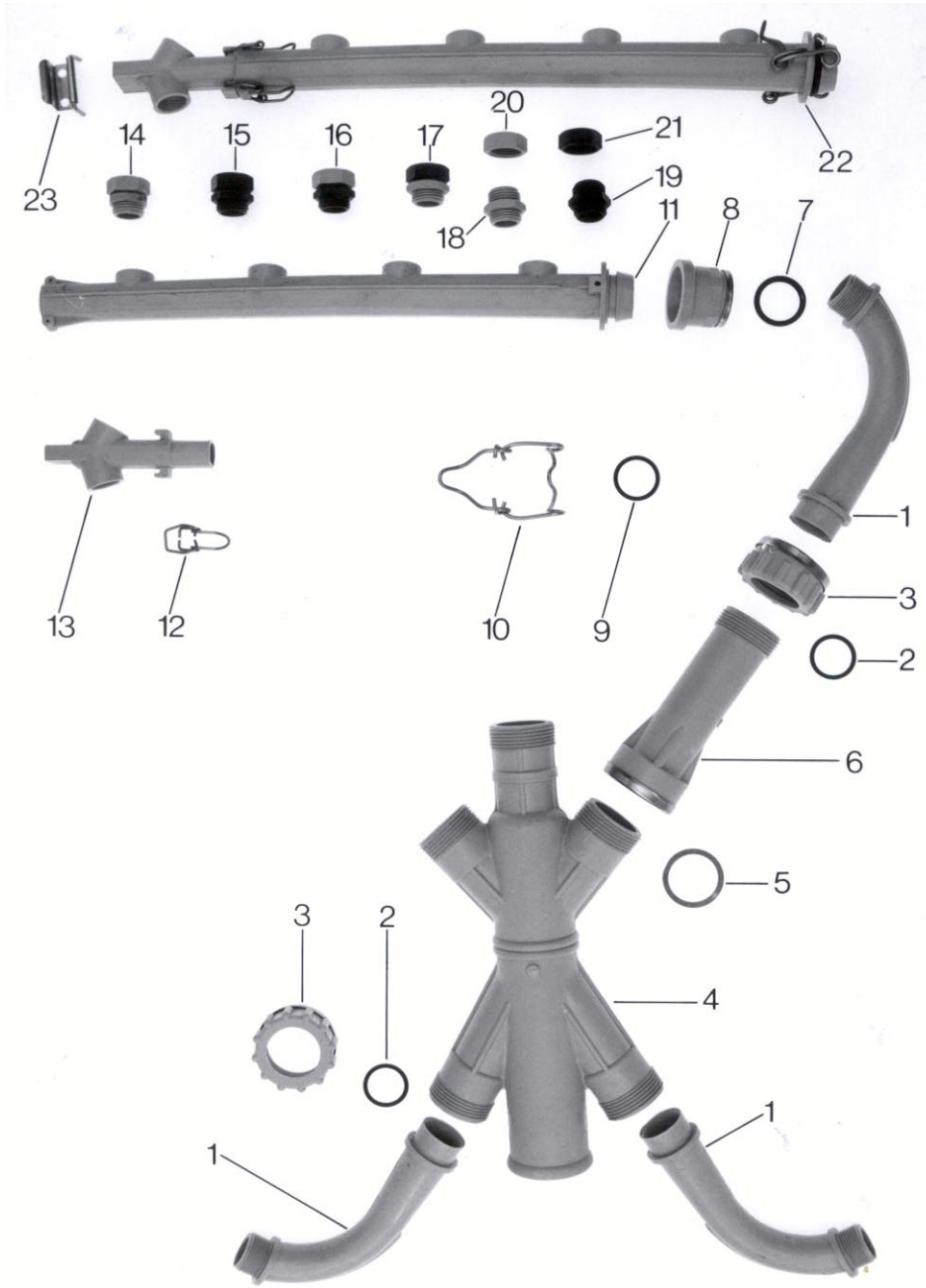
GS 9 / 10 / 22 / 32

Waschsystem I
Wash system I
Système de lavage I



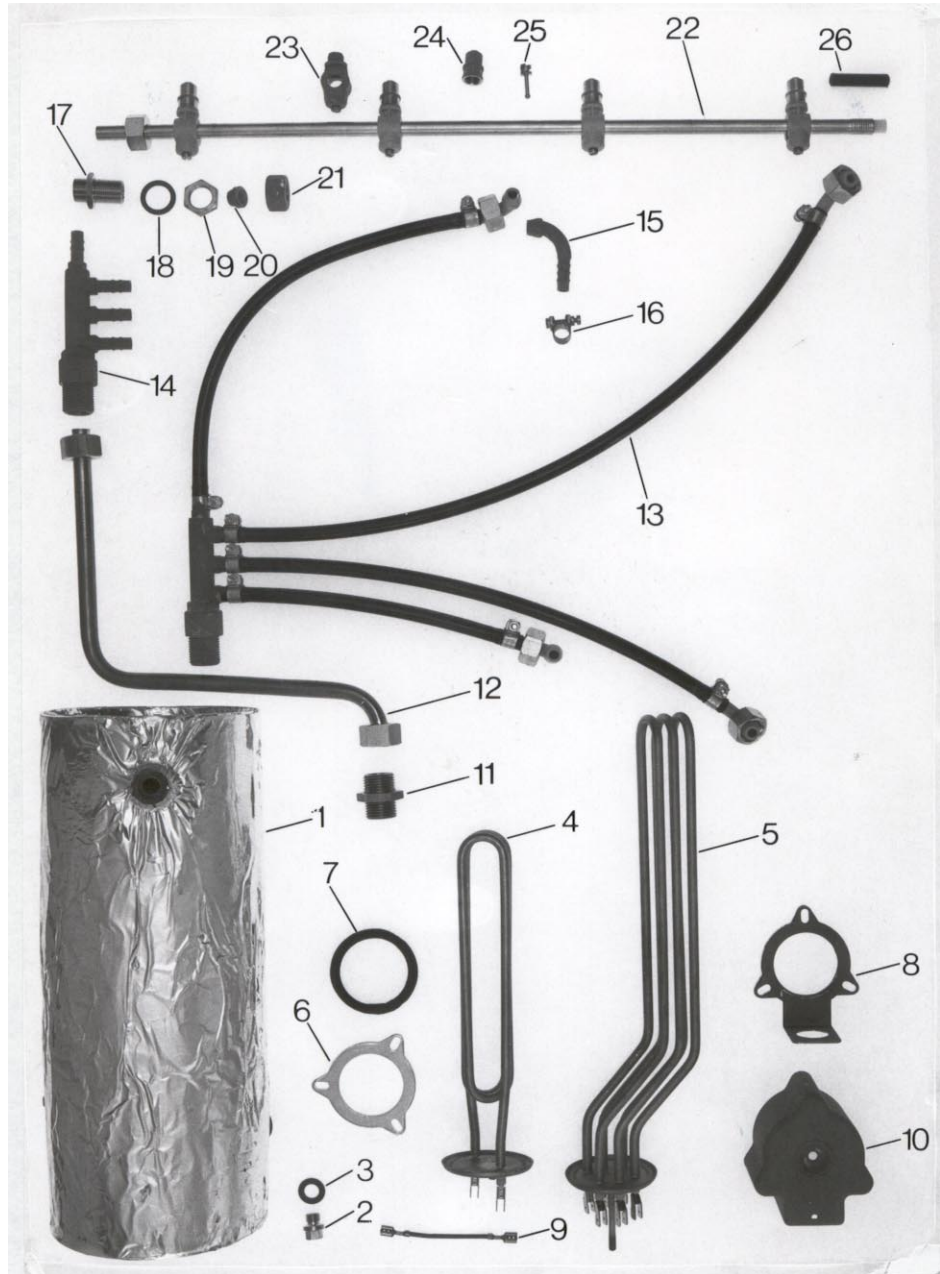
GS 9 / 10 / 22 / 32

Waschsystem II
Wash system II
Système de lavage II



GS 4 / 25

Boiler und Nachspülung Boiler and rinsing Surchauffeur et rinçage

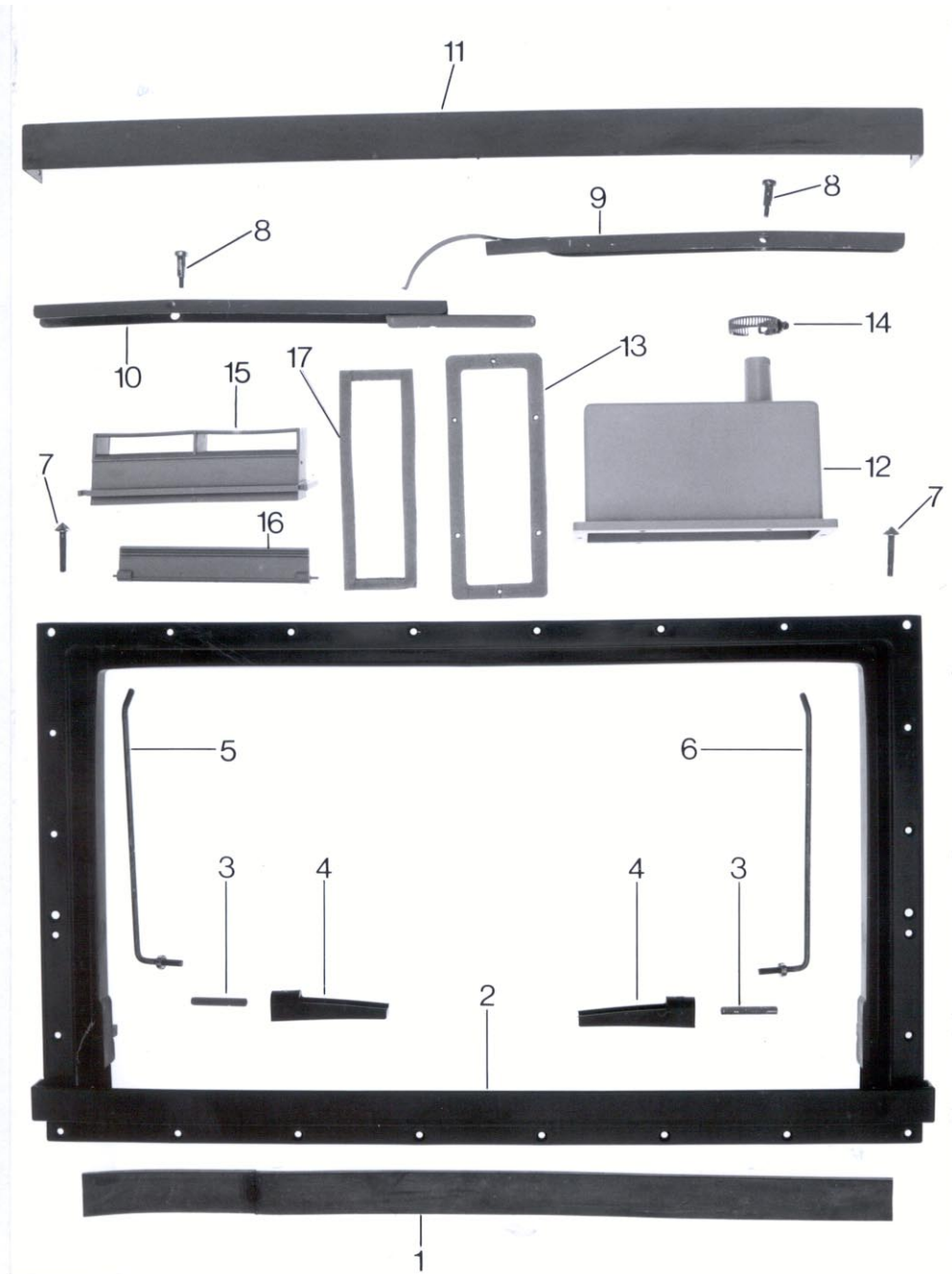


GS 9 / 10 / 22 / 32 Boiler and rinsing

Pos.	Designation	Part no.	9	10	22	32	Notes
1	Boiler 5 kW	55 12 005	x	x	x		
n.p.	Boiler 6 kW	55 12 023	★			x	until 11/71 MA 65
n.p.	Boiler 6 kW	55 12 031	★			x	from 6/84
n.p.	Boiler 12 kW	55 12 023	★			x	until 11/71 MA 65
n.p.	Boiler 12 kW	55 12 032	★			x	from 6/84
n.p.	Hose clip 182-202	28 02 121	★			x	
2	Locking screw M 10 x 1	20 01 352	★	x	x	x	x
3	Seal 18 x ø 10	27 03 003	★	x	x	x	x
4	Heating element 2,8 kW 220 V	31 03 015	★	x			
n.p.	Heating element 2,8 kW 240 V	31 03 033	★	x			
n.p.	Heating element 5 kW 220/380 V	31 03 030	★		x	x	
n.p.	Heating element 5 kW 240/420 V	31 03 032	★		x	x	
5	Heating element 6 kW 220/380 V	31 03 017	★				x
n.p.	Heating element 6 kW 240/420 V	31 03 043	★				x
6	Clamping plate	01 17 003	★	x	x	x	
7	O-ring	27 07 015	★	x	x	x	x
8	Clamping ring with angle	55 19 018	★				x
9	Link wire	31 23 088	★		x	x	x
10	Covering cap	31 03 014	★				x
n.p.	Cable gland	31 10 040					
n.p.	Coupling nut	31 10 041					
11	Double nipple 1/2" BSP	70000459	★	x	x	x	x
n.p.	Cu pipe 12 x 1	05 20 002	★	x	x	x	x
n.p.	Cutting ring ø 12	29 07 300	★	x	x	x	x
n.p.	Coupling nut 1/2" BSP	29 07 201	★	x	x	x	x
12	Rinse connection	55 11 008		x	x	x	
n.p.	Rinse connection	55 11 033					x
n.p.	Rinse connection	55 11 065					GS 33
13	Distributor cpl.	55 09 001	★	x	x	x	x
n.p.	Tecalan pipe	40 01 002		x	x	x	x
n.p.	Distributor cpl.	55 09 018					GS 11
14	Distributor	35 01 023	★	x	x	x	x
n.p.	Distributor CNS	55 09 032	★	x	x	x	x
15	Hose angle ø 10	29 06 500	★	x	x	x	x
16	Hose clip ø 10	28 02 102	★	x	x	x	x
17	Double nipple 3/8"	30 11 200	★	x	x	x	*
18	Seal 24 x 17	27 09 009	★	x	x	x	x
19	Locking nut 3/8"	30 09 200	★	x	x	x	x
20	Clamping ring ø 10	29 07 500	★	x	x	x	x
21	Coupling nut 3/8"	29 07 200	★	x	x	x	x
22	Rinse pipe 465 lg.	55 10 073		x	x	x	x
n.p.	Rinse pipe 465 lg.	55 10 072		x	x		
n.p.	Rinse pipe 441 lg.	55 10 020		x	x	x	x
23	Hinged piece	55 10 008	★	x	x	x	x
24	Spray jet cap	65002765	★	x	x	x	x
25	Spray jet swirl	65002764	★	x	x	x	x
26	Threaded pin M 10 x 45	20 30 501	★	x	x	x	x
n.p.	Coupling nut M 4	21 01 302					
n.p.	Cylinder screw M 4 x 12	20 09 312					

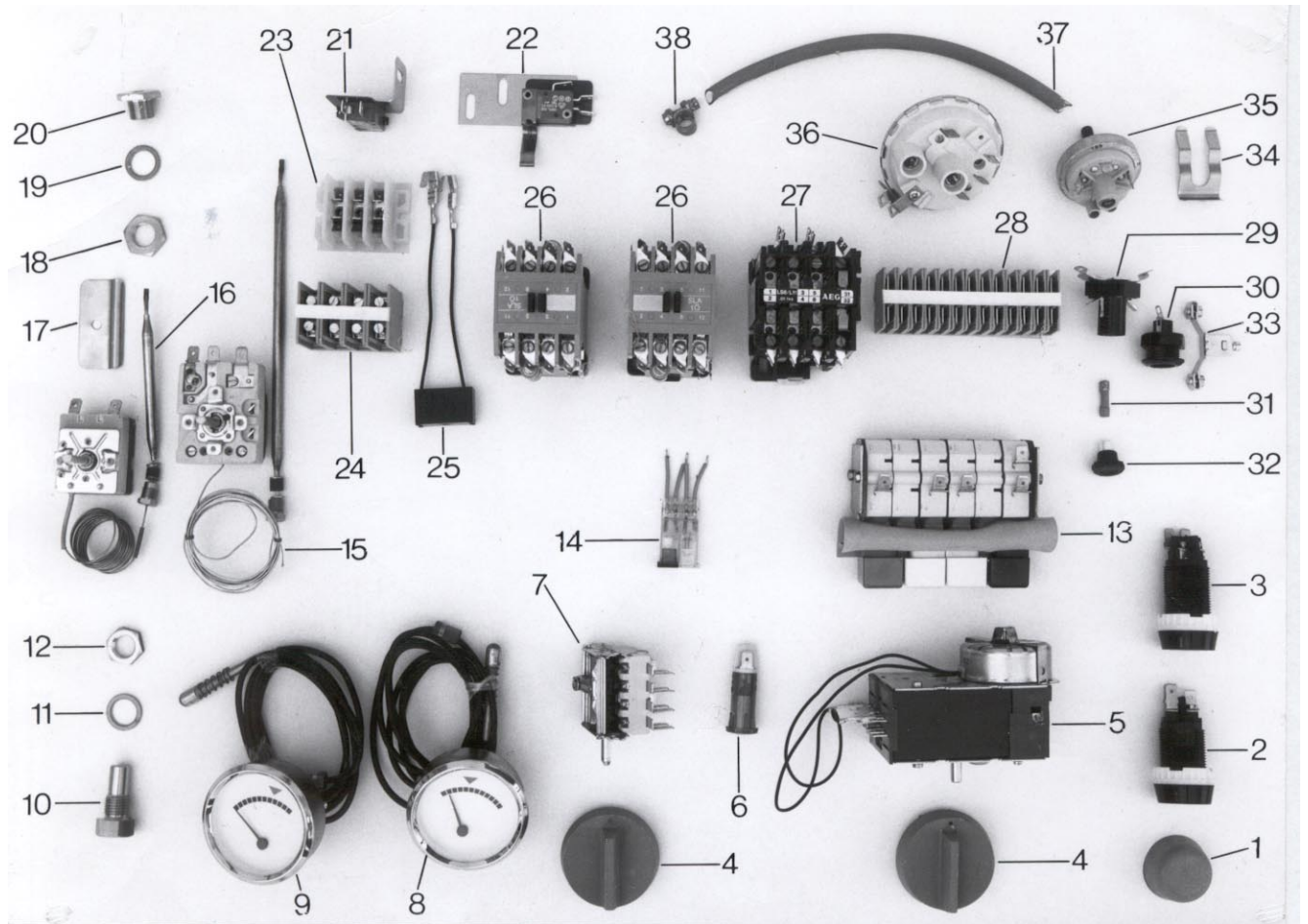
GS 9 / 10 / 22 / 32

**Türe, Rahmen, Schienen
Door, frame, rails
Porte, cadre, barres**



GS 9 / 10 / 22 / 32

**Elektrobestückung
Electrical parts
Matériel électrique**



GS 9 / 10 / 22 / 32 Electrical parts

Pos.	Designation	Part no.	9	10	22	32	Notes
1	Seal cap transparent	31 24 006 ★			x	x	
2	Pressure key button white	31 24 001 ★			x	x	
3	Pressure switch black	31 24 002 ★			x	x	
4	Locking button	55 19 036 ★			x	x	
5	Programme switch	31 05 100 ★	x	x	x	x	31 05 106 for GS 7
n.p.	Programme switch 60 Hz	31 05 121					
n.p.	Gearwheel at 60 Hz	31 05 115					
6	Pilot light	31 08 002 ★			x	x	
n.p.	Spring plate	31 08 029 ★			x		for pos. 6
7	Control switch	31 24 008 ★			x	x	
8	Remote thermometer green	32 01 014 ★			x	x	tank
9	Remote thermometer red	32 01 015 ★			x	x	boiler
10	Block connection M 14 x 1,5	32 01 030 ★			x	x	
11	Seal 22,5 x 14,2	27 09 007 ★	x	x	x	x	
12	Locking nut 14 x 1,5	31 25 002 ★	x	x	x	x	
13	Pressure key switch	31 24 007	x	x			black/white / white/green
14	Double pilot light	31 08 011	x	x			
15	Thermostat	31 25 010	x				
16	Thermostat	31 25 013 ★	x	x	x	x	
n.p.	Limit stop washer	31 25 019 ★	x	x	x	x	
17	Thermostat clip	55 19 035 ★	x	x	x	x	
18	Locking nut M 14 x 1	31 25 002 ★	x	x	x	x	
19	Seal 14,2 x 19,9	27 09 036 ★	x	x	x	x	
20	Gland	31 25 001 ★	x	x	x	x	
21	Microswitch with angle	55 19 007 ★	x	x	x	x	
22	Microswitch with plate	55 19 005 ★		x	x	x	until 1970
23	Clamping rail	31 09 011 ★	x				
24	Series terminal 4-fold	31 09 057 ★					
25	RC link 25 µF	61002141 ★	x	x	x	x	
26	Contacteur BBC B 9	31 04 057 ★				x	
n.p.	Contacteur BBC B 9 200V 50Hz	31 04 091 ★					
27	Contacteur BBC B 9	31 04 057 ★		x	x		
n.p.	Contacteur BBC B 9	31 04 090 ★					
28	Band terminal 13-fold	55 19 070 ★	x	x	x	x	
29	Fuse base 6,3 Amp.	31 11 057 ★				x	
30	Fuse base 6,3 Amp.	31 11 046 ★	x	x	x		
31	Fuse link	31 11 043 ★	x	x	x	x	
32	Screw cap 6,3 Amp.	31 11 048 ★	x	x	x	x	
n.p.	Screw cap 10 Amp.	31 11 093 ★					
33	Earth terminal	31 09 059 ★	x	x	x	x	
34	Clamping spring	31 26 001 ★				x	for 31 26 003
35	Pressure switch	31 26 003 ★				x	
n.p.	Pressure switch green	31 26 023				x	
36	Pressure switch blue	31 26 007	x	x	x		deep-drawn tank bottom until 5/78, from 6/84
n.p.	Pressure switch	31 26 027	x	x			flat tank bottom, 5/78-5/84
37	Detergent hose NW 5 x 3	40 01 024 ★	x	x	x	x	per metre

