

easicook.co.uk

Spare Parts Manual

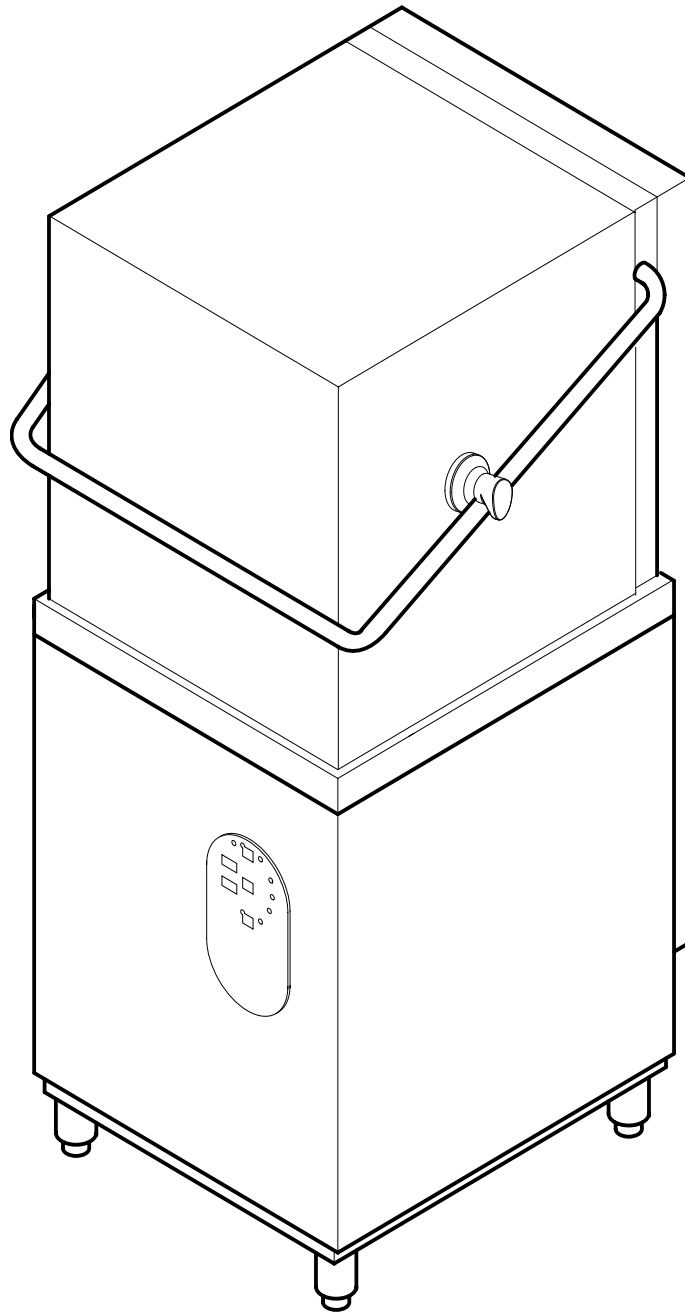
**Leading UK Distributors
of Catering Equipment Since 1977**

Sales - Repairs - Spares

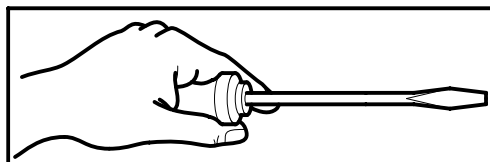
Tel: 029 20747567

Fax: 029 20214100

Email: info@easicook.co.uk



GOLD 74



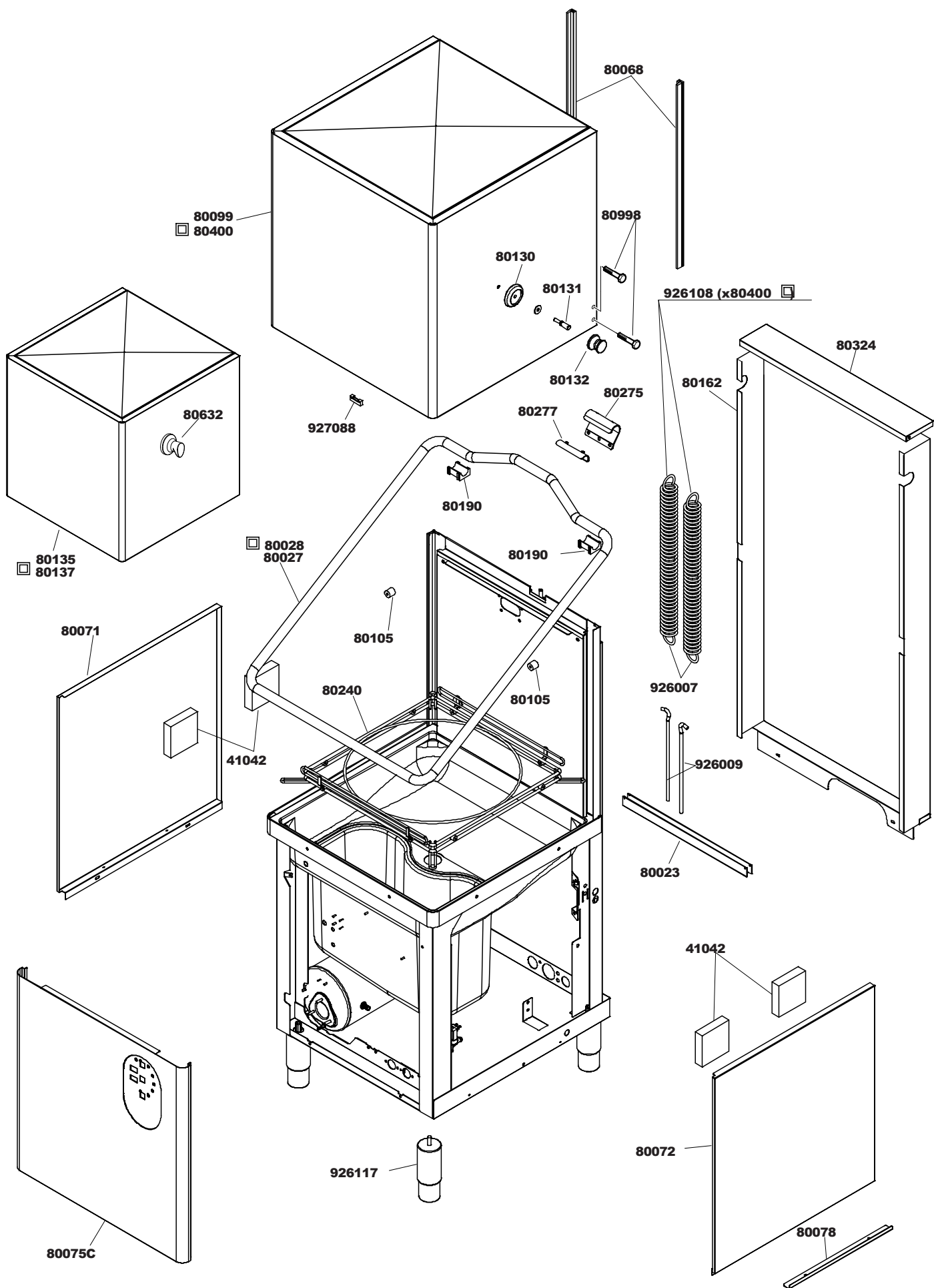
Tav. 1 – Carrozzeria
Tav. 2 – Impianto elettrico
Tav. 3 – Componenti in vasca
Tav. 4 – lance lavaggio – Risciacquo
Tav. 5 – Pompa lavaggio

Tav. 1 – Machine Body
Tav. 2 – Electrical components
Tav. 3 – Components in the tank
Tav. 4 – Wash arms – Rinsing
Tav. 5 – Wash pump

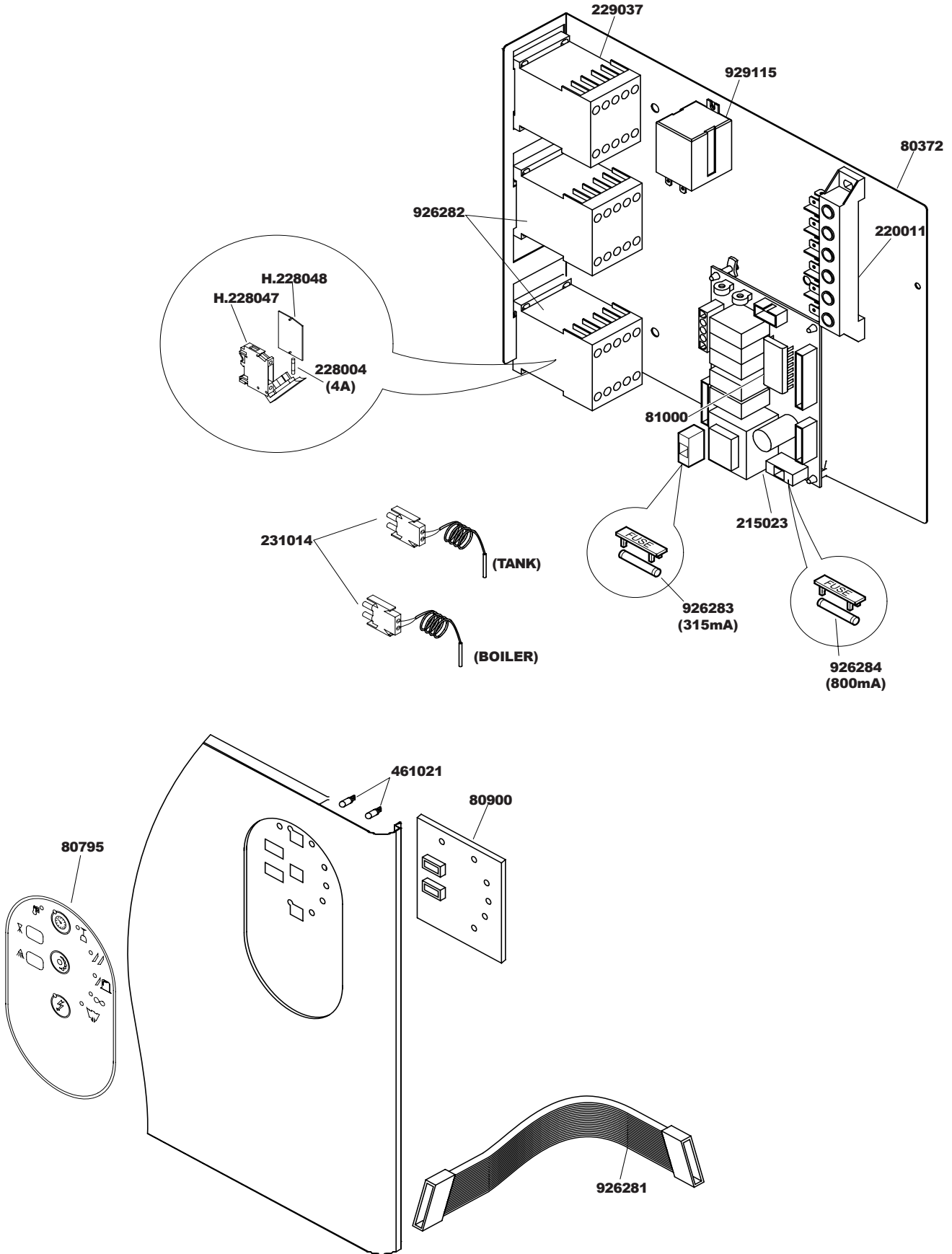
Tab. 1 – Carrocera
Tab. 2 – Instalaciòn elèctrica
Tab. 3 – Componentes en cuba
Tab. 4 – Lances lavages – Enjuague
Tab.5 – Bomba lavado

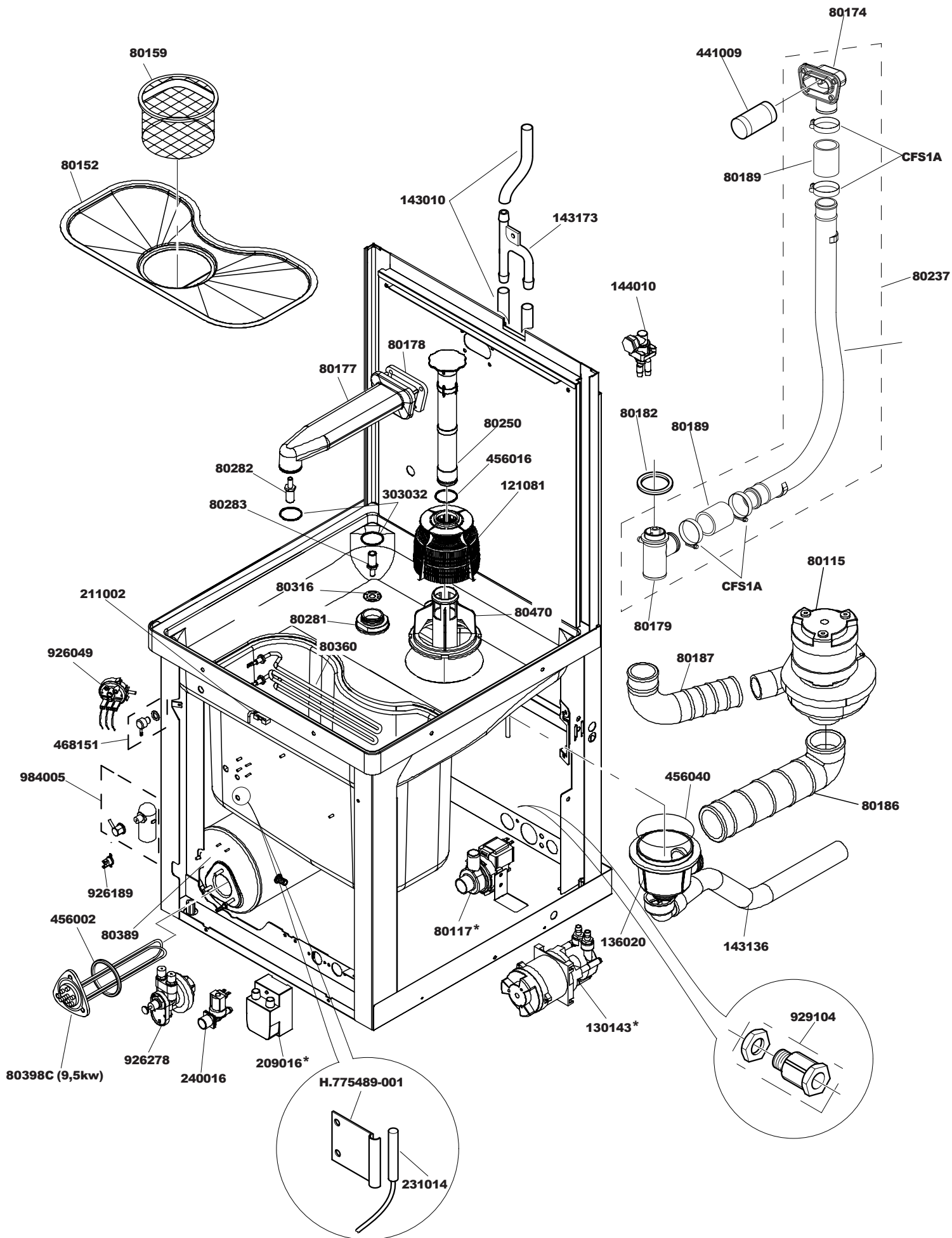
Tab. 1 – Carrosserie
Tab. 2 – Installation électrique
Tab. 3 – Composants de cuve
Tab. 4 – Rampes de lavage Rinçage
Tab. 5 – Pompe lavage

Taf. 1 – Verkleidung
Taf. 2 – Elektrische Anlage
Taf. 3 – Bauteile im Waschtank
Taf. 4 – Spuelarme – Klarspülung
Taf. 5 – Spülpumpe

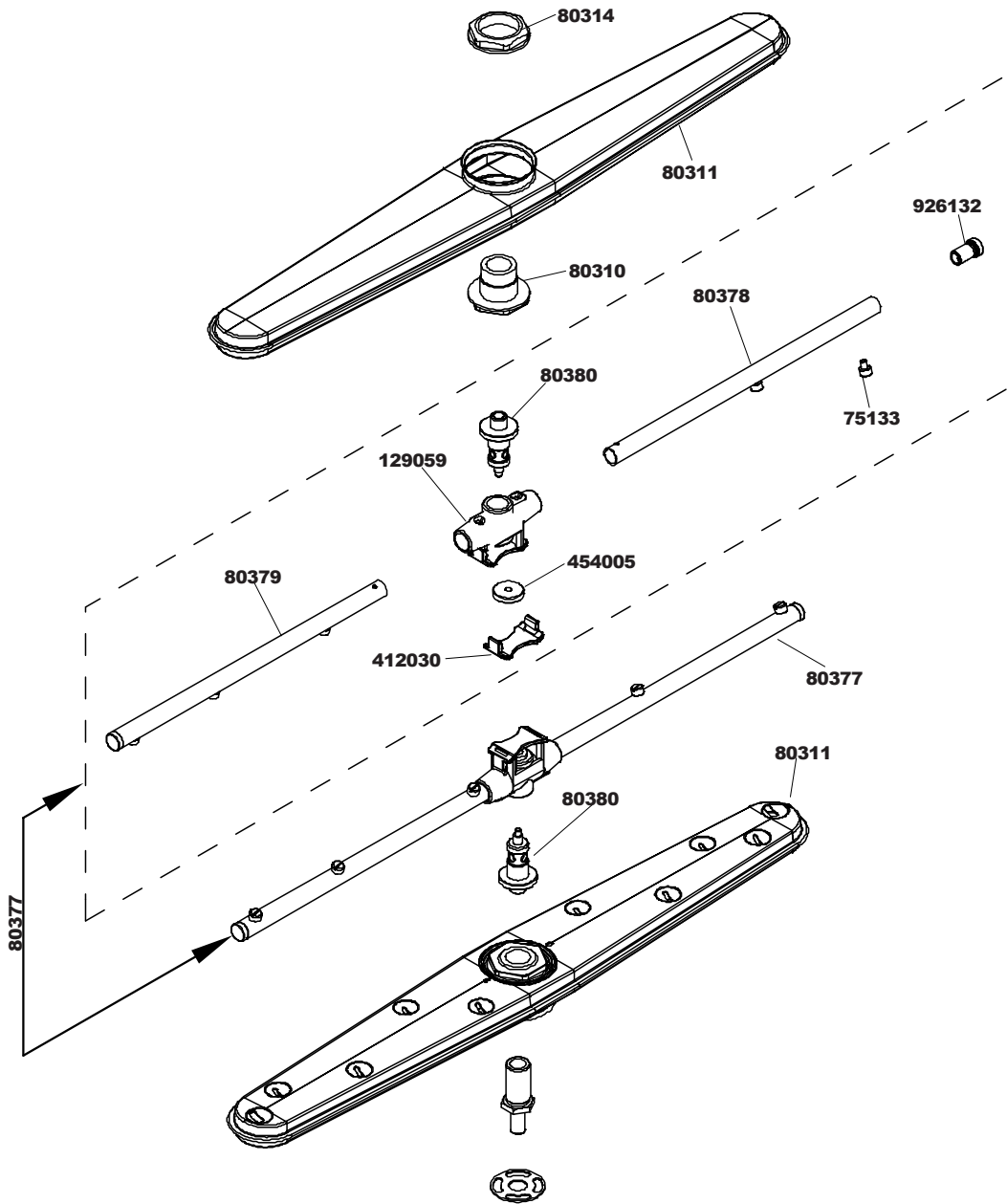


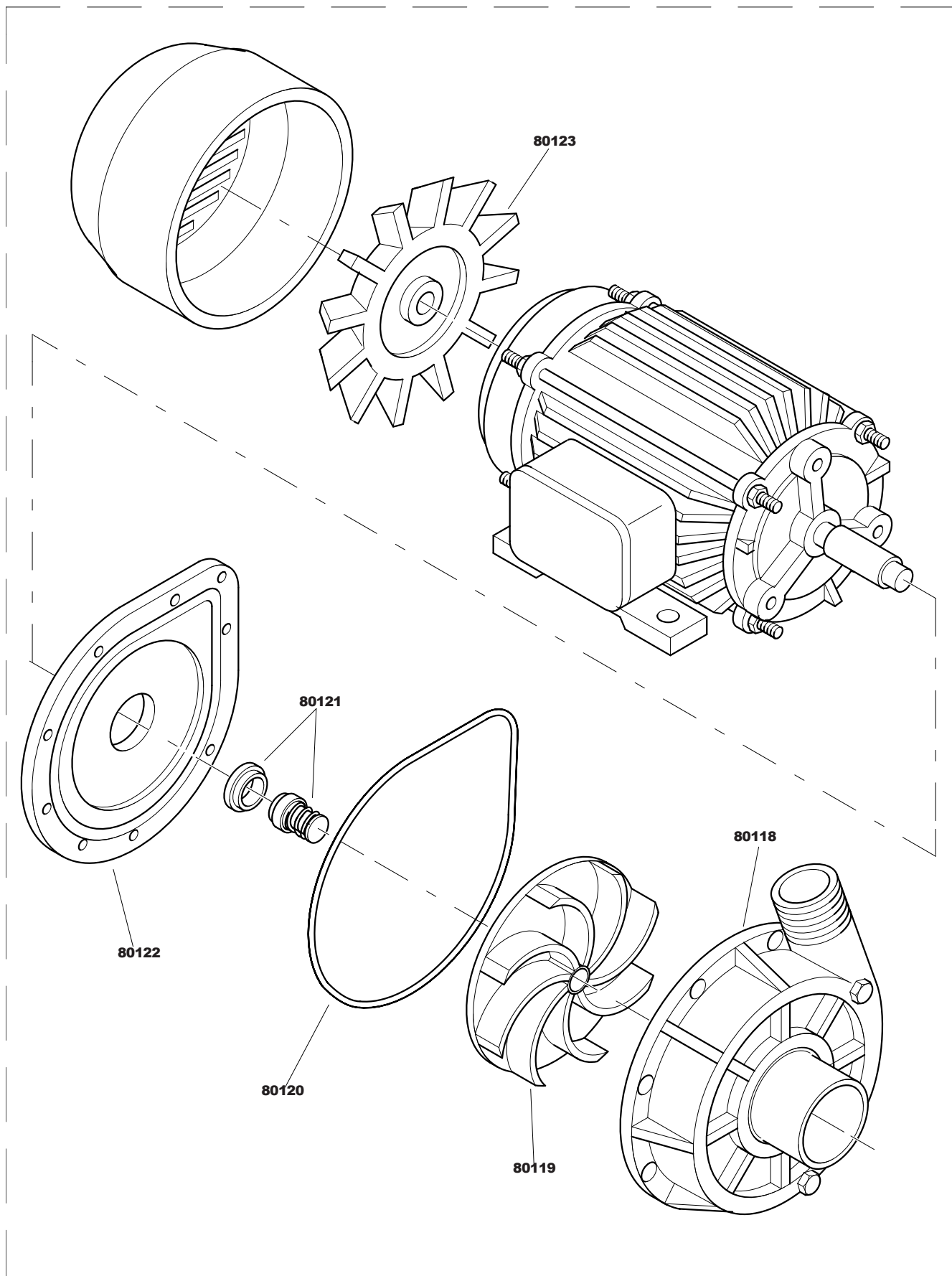
☐ Coibentazione; Insulation)





(*) Optional





80115 (5295.4050)