

easicook.co.uk

Spare Parts Manual

**Leading UK Distributors
of Catering Equipment Since 1977**

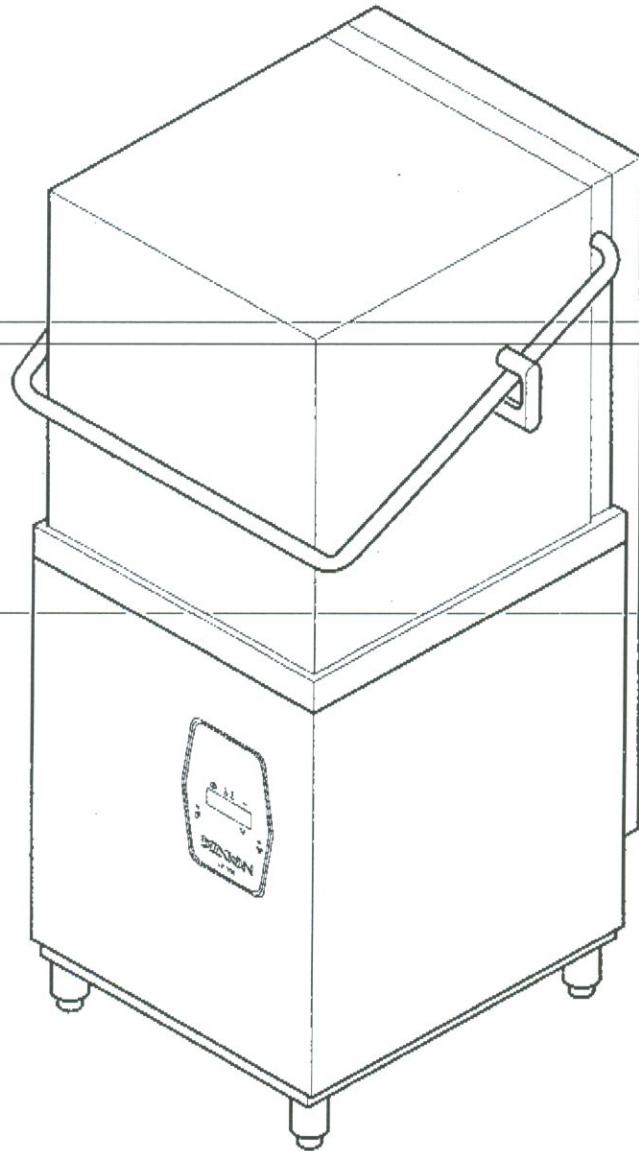
Sales - Repairs - Spares

Tel: 029 20747567

Fax: 029 20214100

Email: info@easicook.co.uk

DEXION



MAURICE

LP100-98-000
LP100-98-000M

LP100-98-000

LP100-98-000M

Tav. 1 – Carrozzeria
 Tav. 2 – Impianto elettrico
 Tav. 3 – Componenti in vasca
 Tav. 4 – lance lavaggio – Risciacquo
 Tav. 5 – Pompa lavaggio

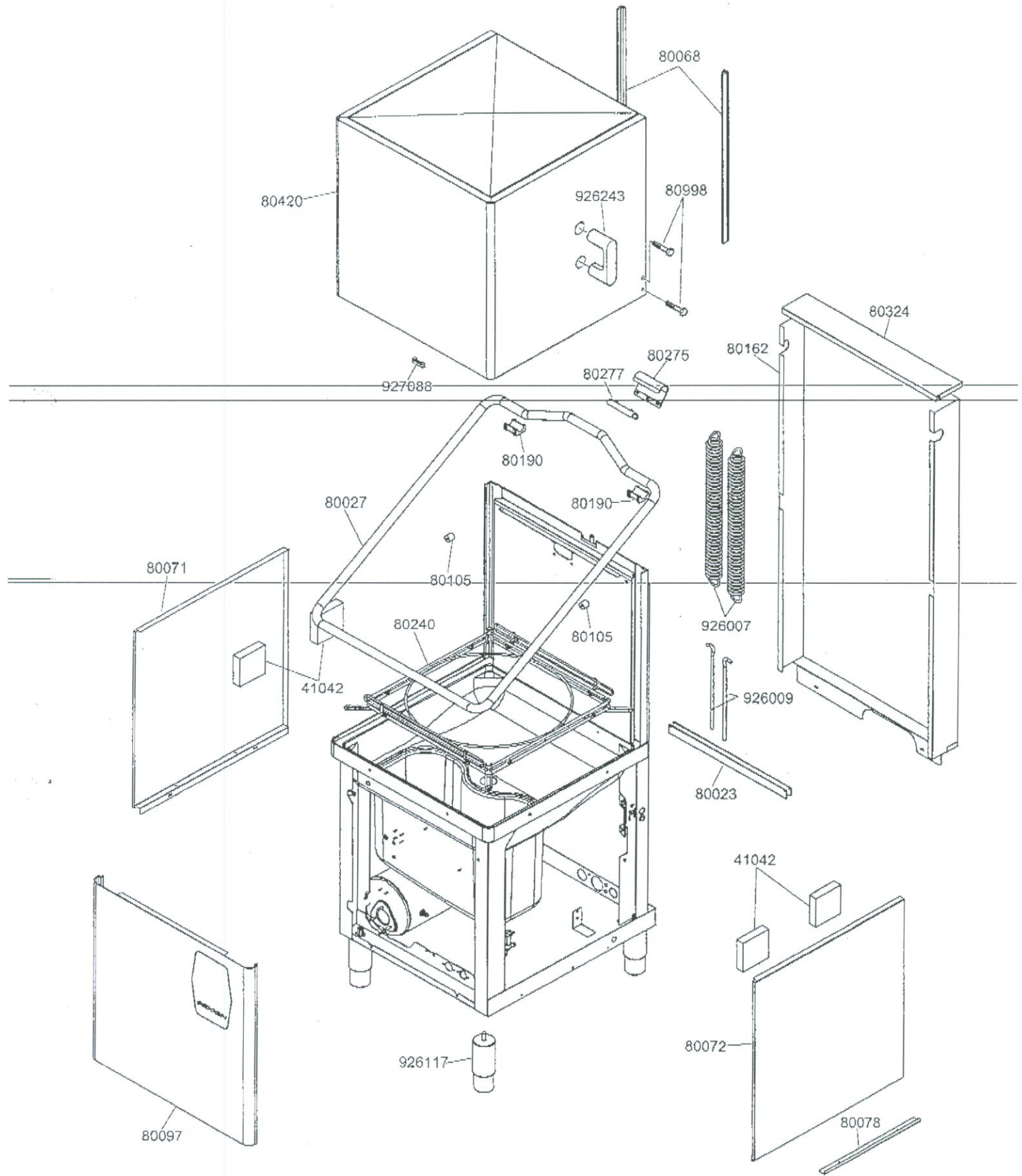
Tav. 1 – Machine Body
 Tav. 2 – Electrical components
 Tav. 3 – Components in the tank
 Tav. 4 – Wash arms – Rinsing
 Tav. 5 – Wash pump

Tab. 1 – Carroceria
 Tab. 2 – Instalaciòn elèctrica
 Tab. 3 – Componentes en cuba
 Tab. 4 – Lances lavages – Enjuague
 Tab. 5 – Bomba lavado

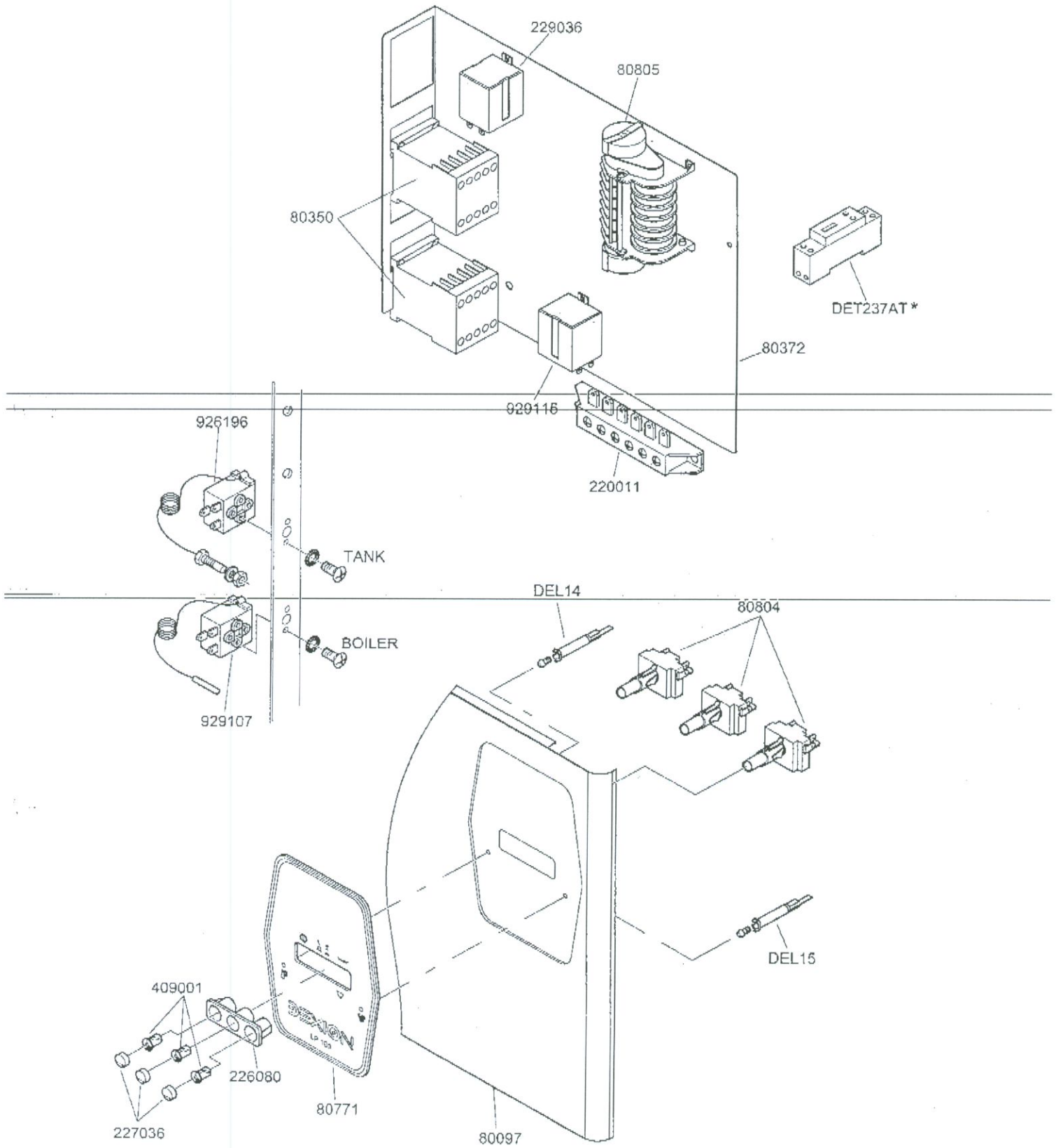
Tab. 1 – Carrosserie
 Tab. 2 – Installation électrique
 Tab. 3 – Composants de cuve
 Tab. 4 – Rampes de lavage Rinçage
 Tab. 5 – Pompe lavage

Taf. 1 – Verkleidung
 Taf. 2 – Elektrische Anlage
 Taf. 3 – Bauteile im Waschtank
 Taf. 4 – Spuelarme – Klarspülung
 Taf. 5 – Spülpumpe

TA.01

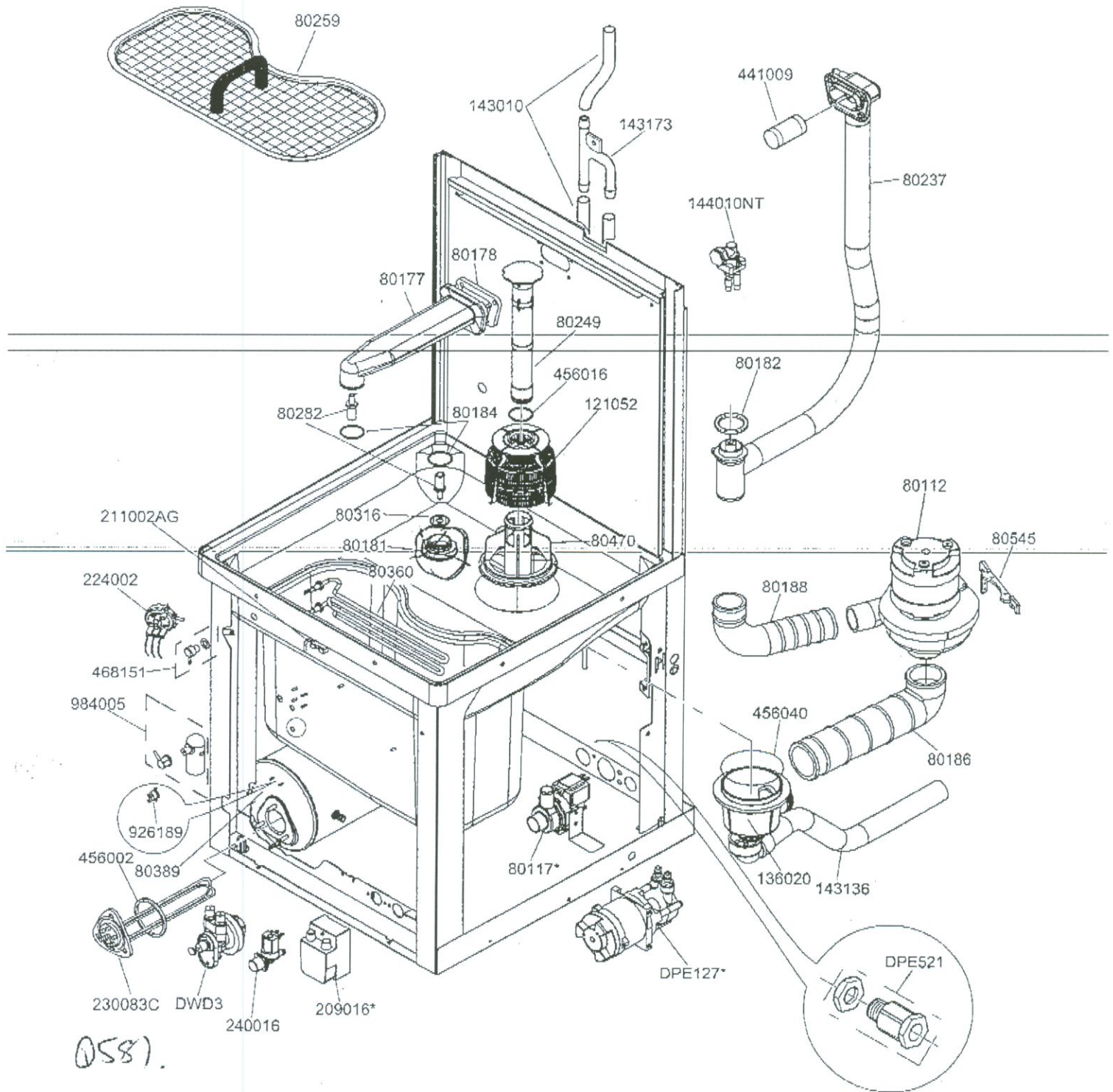


TA.02



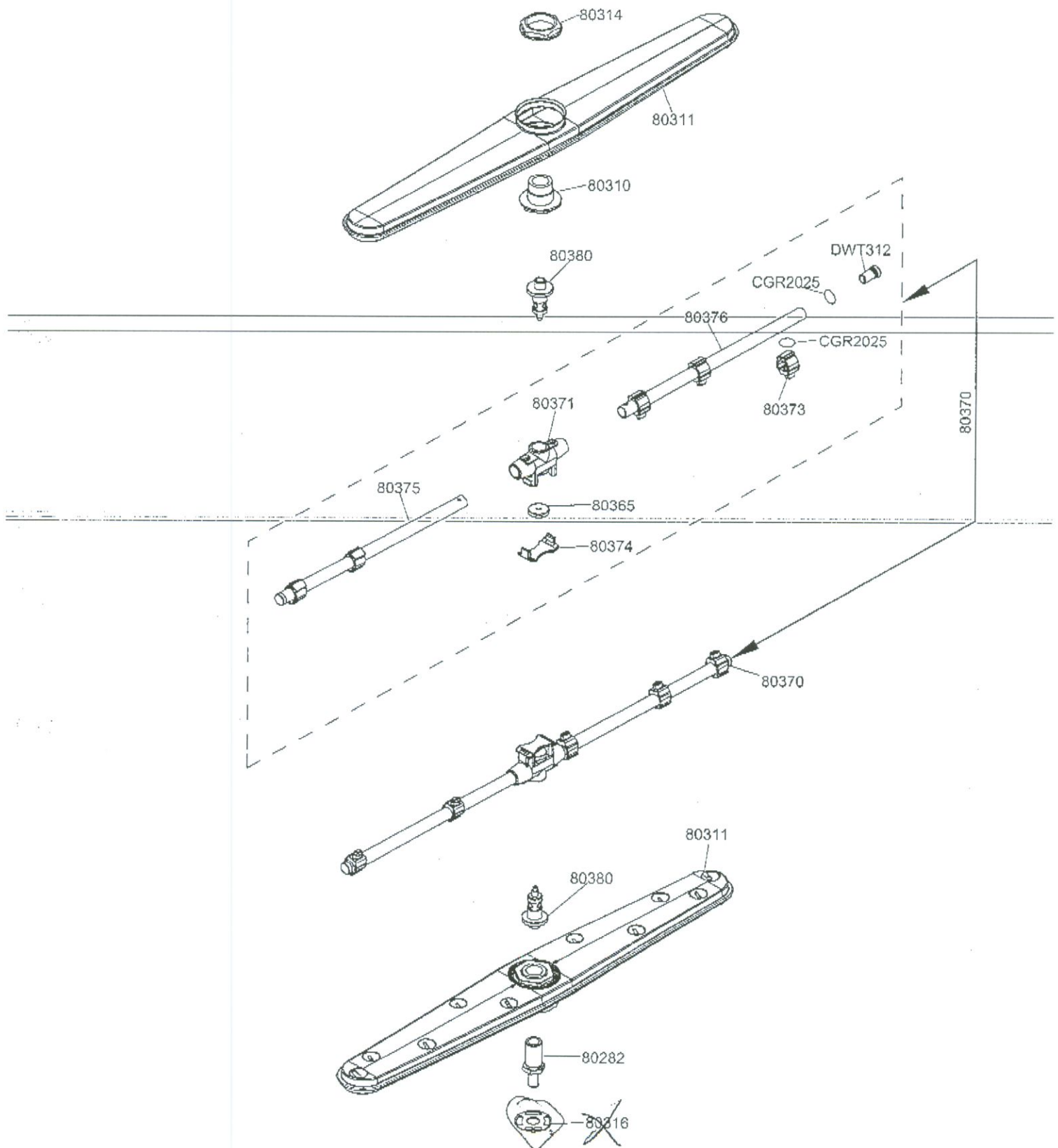
(*) Optional

TA.03



(*) Optional

TA.04



TA.05

