

easicook.co.uk

Spare Parts Manual

**Leading UK Distributors
of Catering Equipment Since 1977**

Sales - Repairs - Spares

Tel: 029 20747567

Fax: 029 20214100

Email: info@easicook.co.uk

GLASSWASHERS SERIE 350/400

INSTALLATION

USE

MAINTENANCE

OVERALL DIMENSIONS

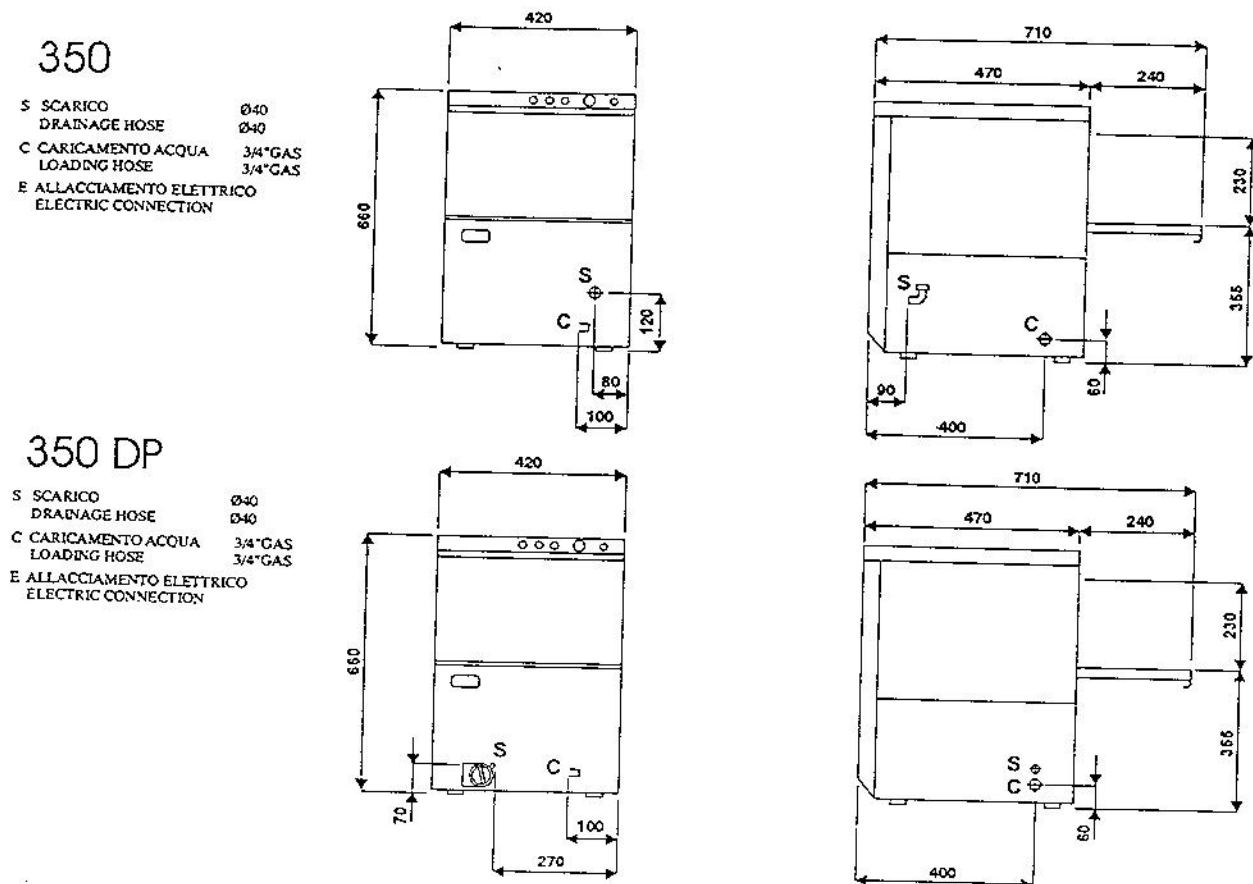
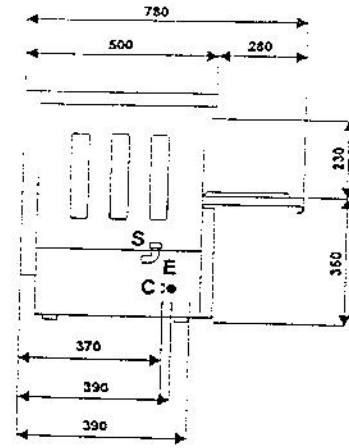
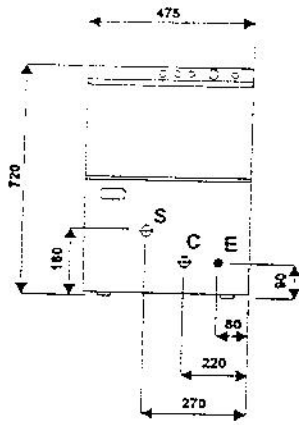


Figure 1

TECHNICAL DETAILS	350 - 350DP
BASKETS PER HOUR	30
BASKET DIMENSIONS	350 x 350
ELECTRIC FEEDING	220-1/50
TOTAL POWER	2750 W
BOILER HEATING ELEMENT	2500 W
TANK HEATING ELEMENT	1500W
WASHING PUMP DELIVERY	150W
TANK CAPACITY	6 l
BOILER CAPACITY	3,5 l
RINSE WATER PRESSURE	1 ÷ 4 bar
WATER HARDNESS	3,5 ÷ 14 °E
WATER QUANTITY PER CYCLE	2 l
CYCLE	120 sec
NET WEIGHT	30 Kg
NOISE LEVEL (according to DIN 45635)	<70 dB (A)

400

- S SCARICO Ø40
DRAINAGE HOSE Ø40
- C CARICAMENTO ACQUA 3/4" GAS
LOADING HOSE 3/4" GAS
- E ALLACCIAMENTO ELETTRICO
ELECTRIC CONNECTION



400 DP

- S SCARICO Ø40
DRAINAGE HOSE Ø40
- C CARICAMENTO ACQUA 3/4" GAS
LOADING HOSE 3/4" GAS
- E ALLACCIAMENTO ELETTRICO
ELECTRIC CONNECTION

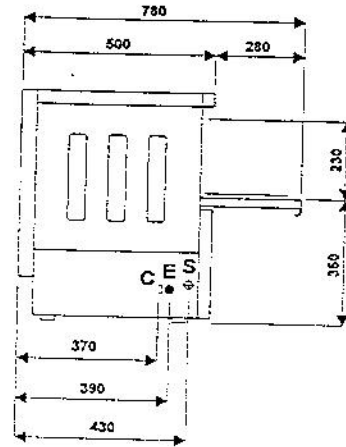
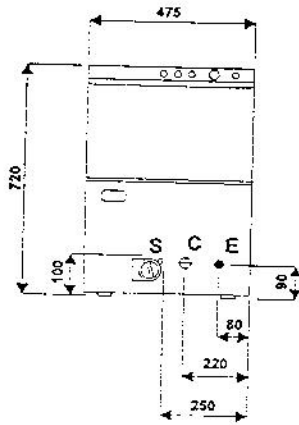


Figure 2

TECHNICAL DETAILS	400 - 400DP
BASKETS PER HOUR	30.
BASKET DIMENSIONS	400 x 400
ELECTRIC FEEDING	220~1/50
TOTAL POWER	2,9 Kw
BOILER HEATING ELEMENT	2,5 Kw
TANK HEATING ELEMENT	2,5 Kw
WASHING PUMP DELIVERY	0,37 Kw
TANK CAPACITY	15 l
BOILER CAPACITY	4,5 l
RINSE WATER PRESSURE	1 + 4 bar
WATER HARDNESS	3,5 ÷ 14 °E
WATER QUANTITY PER CYCLE	3 l
CYCLE	120 sec
NET WEIGHT	46 Kg
NOISE LEVEL (according to DIN 45635)	<70 dB (A)

Warning

The machine is used for washing of dishes, glasses, cutlery, and trays in the kitchen.

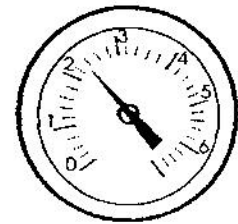
- Before installing and using these machines, read carefully the instructions, especially the ones regarding security rules.
- Only qualified technicians following the instructions of the manufacturer should carry out installation.
- Only people trained for it should use the machine.
- In case of damage or bad working, switch it off and call an authorised technical service. Ask only for original spare parts.

INSTALLATION

WATER CONNECTION

The installation of the dishwasher requires the connection of the hydraulic hoses supplied with the machine, and in particular:

- 3/4" GAS threaded filling hose
- 1" draining hose



Prior to connecting, check that the following conditions exist:

- The inlet water pressure, measured with open valve, must vary between 1,5 and 3 bar. For lower pressures install a booster pump with a flow of about 30 litres per minute. For pressure higher than 4 bar a pressure reducer must be installed.
- The water hardness must be between 3,5° and 14°E (0,5-2 m mol/l); for harder water install a water softener with ionic exchange of a capacity of 12 litres of resin minimum.

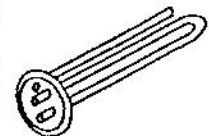
ELECTRICAL CONNECTION

WARNING

- We recommend efficacious machine grounding.
- The manufacturer declines any responsibility if this rule is not respected. The firm also declines any responsibility for a wrong electric voltage connection.

The machine is not supplied with a plug. It must be connected to the electrical grid only by technicians, through a plug or a main switch, in order to have the possibility to remove the machine from electrical grid during the preliminary operations or the maintenance.

The machine must be connected also to an unipotential system of compensation through a screw situated on the base of the machine and marked " $\frac{E}{\equiv}$ ".



The dishwasher is conceived to work under the following specifications:

- 220-240 V (3~) 50Hz

USE

PRELIMINARY OPERATIONS

Prior to switching on the dishwasher check the following conditions:

- Check that the supply and draining pipes, supplied with the machine, are connected to the main water line.
- The machine is supplied with automatic rinse aid dispenser and with an automatic detergent dispenser. The manufacturer already sets both dispensers. Be sure that the dispensers are connected to the relevant tanks filled up with liquids for industrial use with low viscosity and not foaming, otherwise it is possible to break the dispenser.
- Verify if the intake and the surface filters are in the right position.
- Verify if the overflow pipe is in the right position.
- Shut the door and, if it is present, open the external water valve.

WATER FILLING AND PRE-HEATING

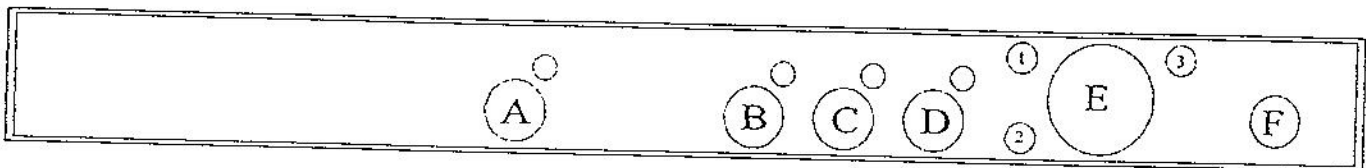


Figure 3

- A: LAMP FOR THE DRAINING PUMP*
- B: ON/OFF LAMP*
- C: LAMP "GLASSWASHER READY TO WORK"*
- D: CYCLE LAMP*
- E: MAIN SWITCH*
- F: START PUSH-BUTTON*

With reference to fig.3, to switch the machine on turn clockwise the general switch (E) to position 3 shown by the lighting of the light (B).

Attention: during the installation, when the Water Air Gap is empty, switch the dishwasher on keeping the door open in order to fill first the Water Air Gap and later the tank of the dishwasher up to the prefixed level.

Then, close the door. Now the machine automatically switches on boiler and tank heating elements. When the prefixed temperatures are reached the lamp (C) lights on and the machine is ready to start the working cycle.

ATTENTION: the manufacturer at the following temperatures rates the internal thermostats:

- boiler temperature: 82°C
- tank temperature: 55°C

WORKING CYCLE

- Remove all the solid remainders from the dishes and put them inside the basket;
- Slide the basket into the machine and shut the door;
- Push the button (F) for one second till the washing pump starts; the machine automatically begins the washing and rinsing cycles, shown by the lamp (D), and automatically activates the rinse-aid dispenser. Between the washing and the rinsing there is a dripping pause. The end of the working cycle is visualised by the extinction of the lamp (D).
- To begin a new working cycle repeat the above operations.
- The detergent is added automatically at each cycle through the dispenser that has been set by the manufacturer during the testing phase. It must be adjusted following the instructions regarding the quantity given by the detergent supplier.
- Before switching the machine off, make sure that the working cycle is completely over. Then turn the general switch (E) in (1). The lamp (B) will automatically switch off.

MODELS WITH DRAIN PUMP

In the models fitted with drain pump this pump starts working in the following situations:

- When the filling valve of the W.A.G. works. This is necessary because in case of malfunction of the level probe the water can flow to the washing tank through the overflow pipe of the W.A.G.
- When the rinsing pump works. This is the normal working situation of the drain pump that drains the water from the washing tank through the overflow pipe during the filling or the rinsing cycle.

In both the situations the drain pumps start working automatically. But if you need to drain the washing tank at the end of the working day, turn the main switch (E) of the figure 3 in the position (2). Before you have to open the door and to remove the overflow pipe. During this phase you can keep the door open. At the end do not forget to turn the main switch (E) in the position (1) after emptying the washing tank, because a long-lasting work of the drain pump without water can damage the pump itself.

SAFETY SYSTEMS

- By opening the door every function of the machine stops, except for the heating of water in the boiler and in the tank. When you close the door the interrupted function starts again.
- The level switch controls automatically the water level in the tank and allows the machine to work only if the heating elements are below the water level either in the boiler or in the tank.
- The washing pump has a thermal control, which stops it in case of thermal overload.
- An overflow pipe drains the water which has been brought in during the rinsing cycle and allows a continuous change of water in the tank. It avoids the overflowing of water in case of bad working of the level switch too.
- The W.A.G. tank is provided with an overflow pipe, which drain the exceeding water from the washing tank in case of malfunction of the level switch. It is recommended, anyway, to close the alimentation water tap when the dishwasher doesn't work.

MAINTENANCE

Before cleaning and maintenance always remove the plug.

WATER DRAINAGE AND TANK CLEANING

After switching the machine off, water must be drained out of the tank by removing the overflow pipe from its place (for the models with drain pump turn the main switch (E) to the position 2. The lamp (B) will light on.

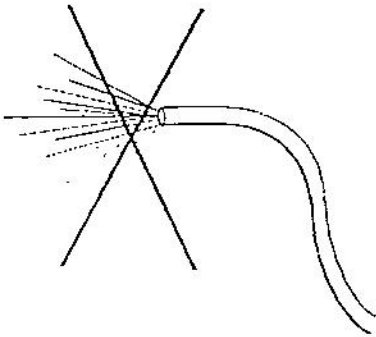
Clean the tank and remove all scraps and remainders from its bottom.

Clean accurately the filters after having removed them.

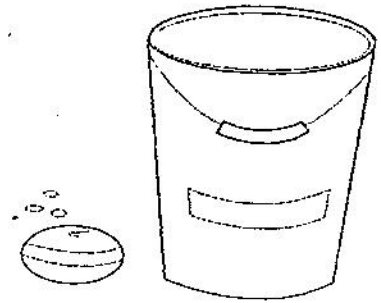
In models with drain pump clean also the filter of the pump by unscrewing the stopper on the front panel of the machine.

STAINLESS STEEL PARTS CLEANING

To clean the stainless steel parts use soaped water or usual degreasing products.



Warning: water jets sprayed directly onto the electric appliances can cause electric shocks. The use of abrasive ferrous products (like steel wool) can prime with their oxide deposits surface galvanic corrosion.



PERIODIC MAINTENANCE

Periodically check and clean both the washing and the rinsing jets-nozzles. Unscrew them and remove possible deposits.

When necessary, remove scaling and disinfect the tank using the products normally available on the market.

DRAIN PUMP

After emptying the dishwasher through the drain pump, clean the filter of the pump according the following instructions.

- Turn the switch (A) of the figure 2 in the position (1);
- Switch the electric feeding of the machine off;
- Remove the filter of the pump taking care to dry the residual water inside of the pump itself.
- Clean the filter and place it correctly in its position again.

09/04/98 15.32

OPERATING INSTRUCTIONS AND MAINTENANCE

PERISTALTIC DOSING PUMP WITH ON-OFF TIMER CODE NO. 5695

Peristaltic pump with quantity to be adjusted by means of a timer.

Max. Suction height: 1,5 m

Dosing time (\pm 15%): between 0 and 4 sec

Off time (\approx 15%): between 0 and 4 sec

Warning

IF ANY OF THE ABOVE-MENTIONED INSTRUCTIONS IS NOT RESPECTED THIS CAN DAMAGE PERSONS AND CAN CAUSE MALFUNCTIONS OR DAMAGE TO THE APPLIANCES.

When installing the dishwasher verify the following points:

- tubing material is suitable to the liquid
- the available power supply is similar to the indicated one
- suction tube is positioned in the liquid container and connected to the suction of the pump (represented on the lid with Δ)
- delivery tube is connected to the delivery of the pump (represented on the lid with ∇) and positioned on the tank injection
- the protection lid is properly positioned in its seat

IMPORTANT: Before carrying out any operation on the pump, disconnect the power supply on the dosing pump!

Regulation of the dosing time

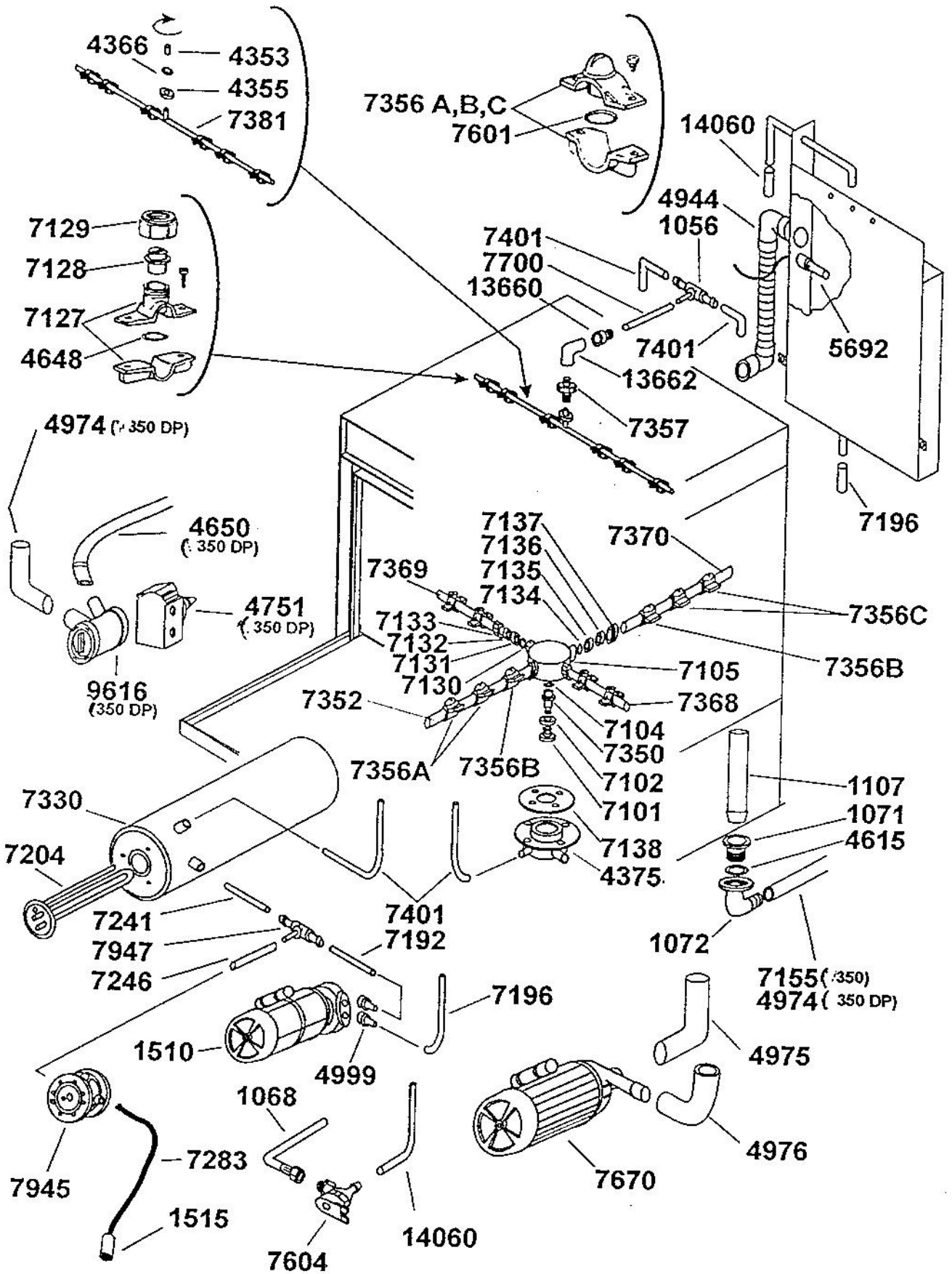
The pump works automatically if electricity is present on the supply cable and makes continuously a cycle of pause-working.

If the trimmer has rotated anticlockwise the pump is always off, if rotated clockwise the pump is always on.

In the equidistant the cycle of pause-working lasts 3 seconds.

Tubing substitution CODE NO. 5696

- Disconnect the pump from the power supply.
- Take off the transparent lid on the hydraulic group.
- In order to dismount the tube turn the roll holder so that the rollers are on a vertical line.
- Remove from its seat the connection on the left side of the pump, alternatively pull the tube out of its seat and manually rotate the roll holder clockwise until it is possible to extract the right hand side connection from its position.
- In order to mount the tube turn the roll holder so that the rollers are on a horizontal line.
- Insert the connection in its seat on the left of the pump with the curved side towards the floor.
- Alternatively push the tube into its seat and manually rotate the roll holder clockwise until it is possible to insert the right hand side connection into its seat.
- Insert the protection lid starting from the top, with the shear facing the pump and pushing slightly on the sides so to hear the click.

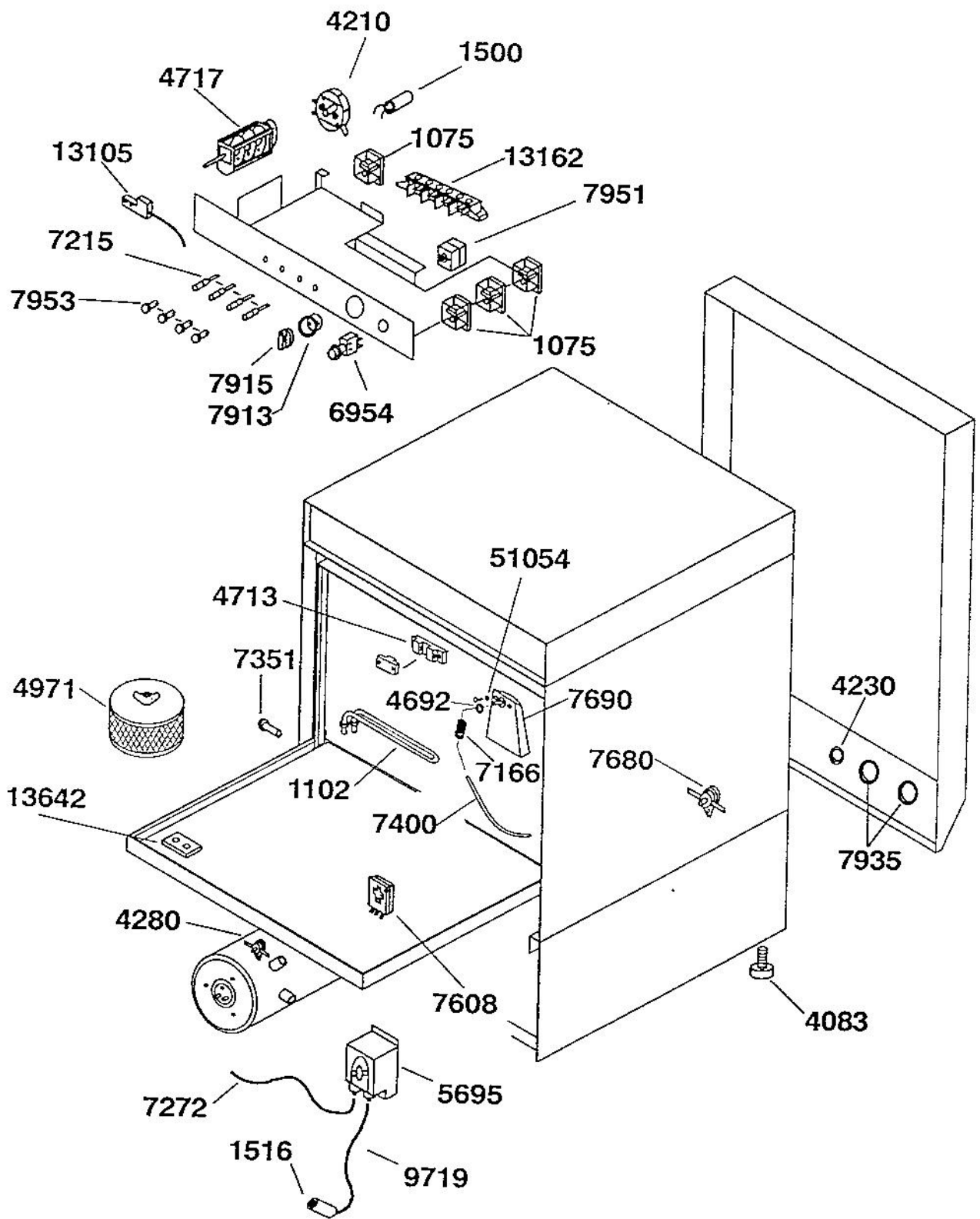


Modello
Modelle
Model
Model

350 - 350 DP

Dis. N° EM.AL.044

Data
Date
Datum
Date
24-05-99

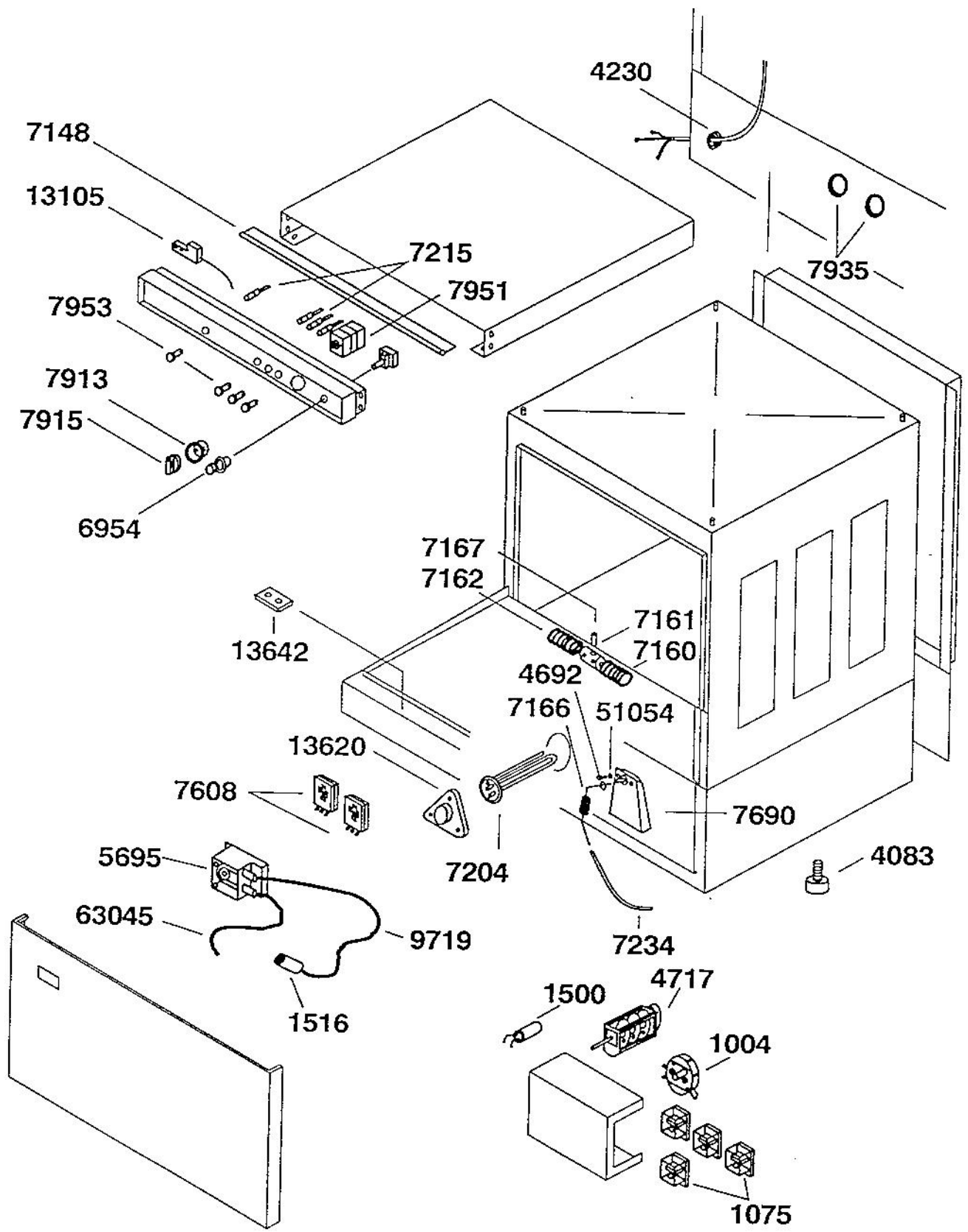


Modelo
 Modèle
 Model
 Model

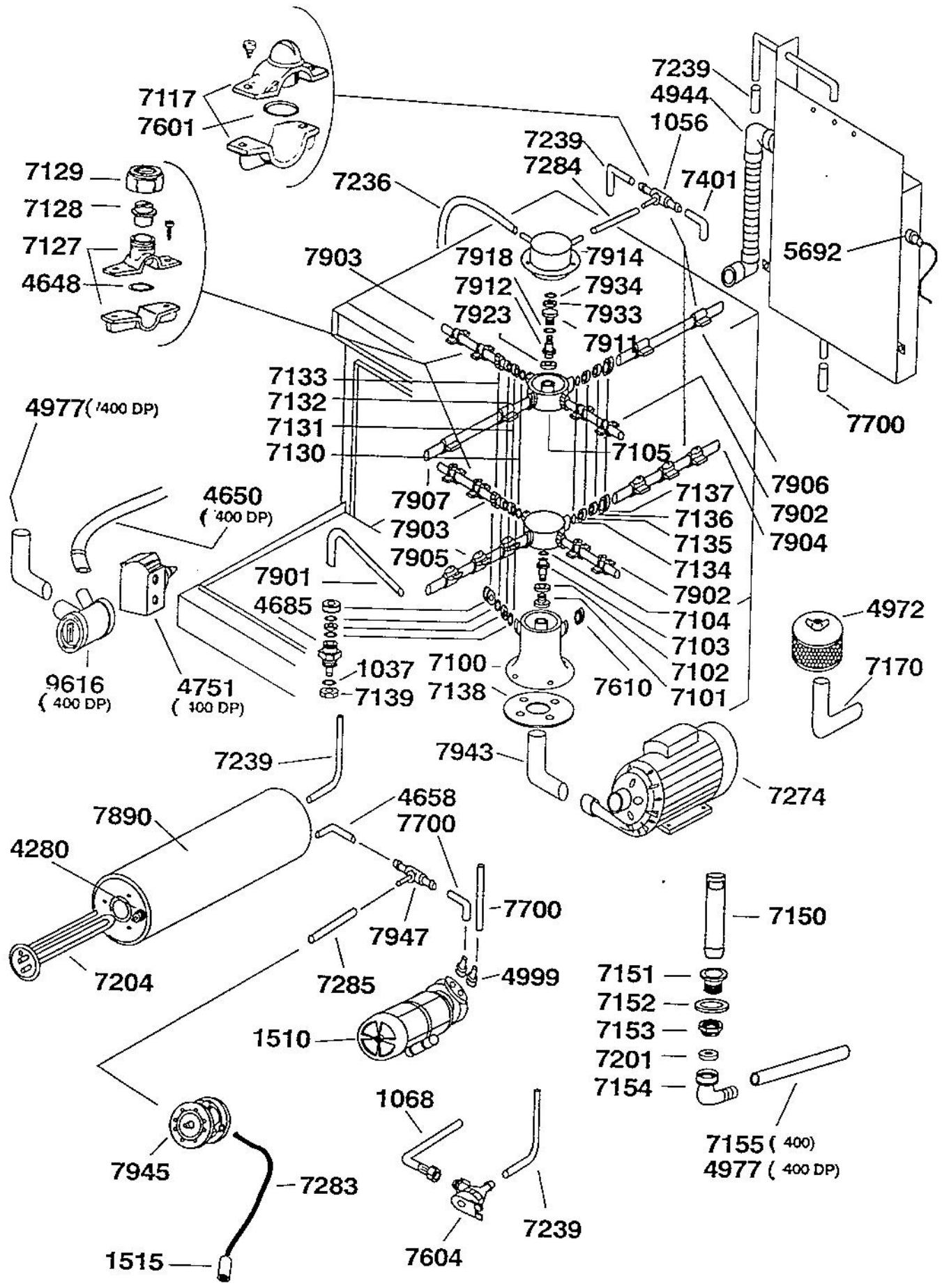
350 DP

Dis. N° EE.AL.046

Data
 Date
 Datum
 Date
 17-02-99



	Modelo Modelo Model Model	<h1>400 DP</h1>	Dis. N° EE.AL.049
			Data Date Datum Date 17-02-99

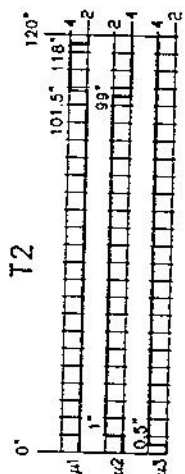
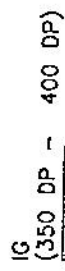
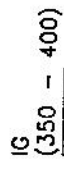
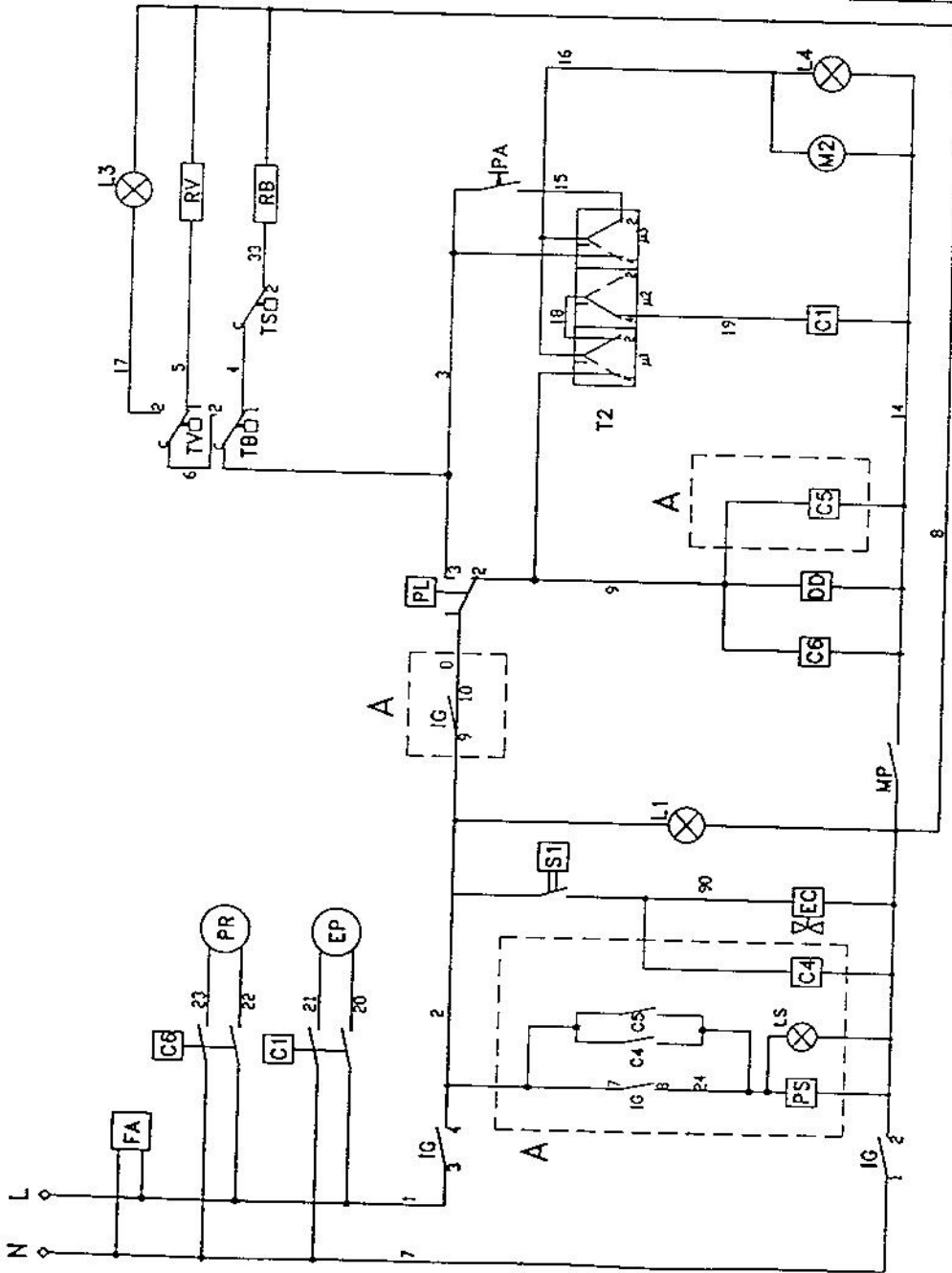


Modelo
 Modèles
 Model
 Model

400 - 400 DP

Dis. N° EM.AL.047

Data
 Date
 Datum
 Date
 24-05-99



A
 VERSIONE CON POMPA DI SCARICO
 AUSFUHRUNG MIT ABFLUSSPUMPE
 MODEL AVEC POMPE DE VIDANGE
 MODEL WITH DRAIN PUMP

C1	RELE ELETTROPOMPA ELECTROPUMP RELAYS	RELAIS ELECTROPOMPE ELECTROPUMP CONTACTORS
C4,5	RELE POMPA SCARICO LAUGENPUMPE RELAIS	RELAIS POMPE DE VIDANGE DRAIN PUMP CONTACTORS
C6	RELE POMPA AUMENTO PRESSIONE DRUCKSTEUERUNGSPUMPE RELAIS	RELAIS POMPE DE RINÇAGE BOOSTER PUMP CONTACTORS
DD	DOSATORE DETERGENTE WASCHMITTELDOSEGERAET	DOSEUR DETERGENT DETERGENT DISPENSER
EC	ELETTROVALVOLA DI CARICO FULLELEKTROVENTIL	ELECTROVANNE DE REMPLISSAGE FILLING ELECTROVALVE
EP	ELETTROPOMPA ELECTROPUMPE	ELECTROPOMPE ELECTROPUMP
FA	FILTRO ANTIDISTURBO STORSCHUTZLEINRICHTUNG	FILTRE ANTI PERTURBATION RADIO INTERFERENCE SUPPRESSOR
IG	INTERRUTTORE GENERALE HAUPTSCHALTER	INTERRUPTEUR GENERAL MAIN SWITCH
L1	SPA INTERRUTTORE GENERALE HAUPTSCHALTERLAMPE	VOYANT LUMINEUX IG MAIN-SWITCH WARNING-LAMP
L3	SPA "MACCHINA PRONTA" KONTROLLEUCHE "BETRIEBSBEREIT"	VOYANT "MACHINE PRETE" "MACHINE READY-WARNING LAMP"
L4	SPA CICLO KONTROLLEUCHE SPULVORGANG	VOYANT LUMINEUX CYCLE CYCLE LAMP
LS	SPA POMPA DI SCARICO KONTROLLEUCHE ABFLUSSPUMPE	VOYANT POMPE D'EVACUATION DRAIN PUMP LAMP
M2	MOTORE TIMER CICLO VORGANGSTIMERMOTOR	MOTEUR TIMER CYCLE CYCLE TIMER MOTOR
MP	MICROINTERRUTTORE PORTA TUERSCHALTER	MICROINTERRUPTEUR PORTE DOOR MICROSWITCH
PA	PULSANTE AVVAMENTO CICLO STARTTASTE	BOUTON DEPART CYCLE CYCLE START PUSH-BUTTON
PL	PRESSOSTATO LIVELLO NIVEAUDRUCKWACHTER	PRESSOSTAT NIVEAU LEVEL PRESSURE SWITCH
PR	POMPA AUMENTO PRESSIONE DRUCKSTEUERUNGSPUMPE	POMPE DE RINÇAGE BOOSTER PUMP
PS	POMPA DI SCARICO ABFLUSSPUMPE	POMPE D'EVACUATION DRAIN PUMP
RB	RESISTENZA BOILER BOILERHEIZKERPER	RESISTANCE SURCHAUFFEUR BOILER HEATER
RV	RESISTENZA VASCA TANKHEIZKERPER	RESISTANCE CUVE TANK HEATER
S1	SENSORE LIVELLO MASSIMO W.A.G. NIVEAUFUHRER W.A.G.	CAPTEUR NIVEAU MAXIMUM W.A.G. W.A.G. MAXIMUM LEVEL SENSOR
T2	SPULLEVORGANG TIMER	TIMER CYCLE CYCLE TIMER
TB	TERMOSTATO BOILER BOILER-THERMOSTAT	THERMOSTAT SURCHAUFFEUR BOILER THERMOSTAT
TS	TERMOSTATO SICUREZZA SICHERHEITSTHERMOSTAT	THERMOSTAT DE SECURITE SAFETY THERMOSTAT
TV	TERMOSTATO VASCA TANK-THERMOSTAT	THERMOSTAT CUVE TANK THERMOSTAT

DATA
 DATUM
 DATE
 DESIGN N°
 ZEICHNUNG N°
 DESIGN N°
 DRAWING N°

24 - 05 - 99
 EL-AL.308

350 - 350 DP
 400 - 400 DP

COLLEGARE IL CAVO DI ALIMENTAZIONE AD UN SEZIONATORE A PARETE - RELIER LE CABLE D'ALIMENTATION A UN INTERRUPTEUR MURAL - CONNECT THE POWER-SUPPLY CABLE WITH A WALL DISCONNECTOR - BAUSETTS IST EIN HAUPTSCHALTER ZU INSTALLIEREN