

**easicook.co.uk**

**Spare Parts Manual**

**Leading UK Distributors  
of Catering Equipment Since 1977**

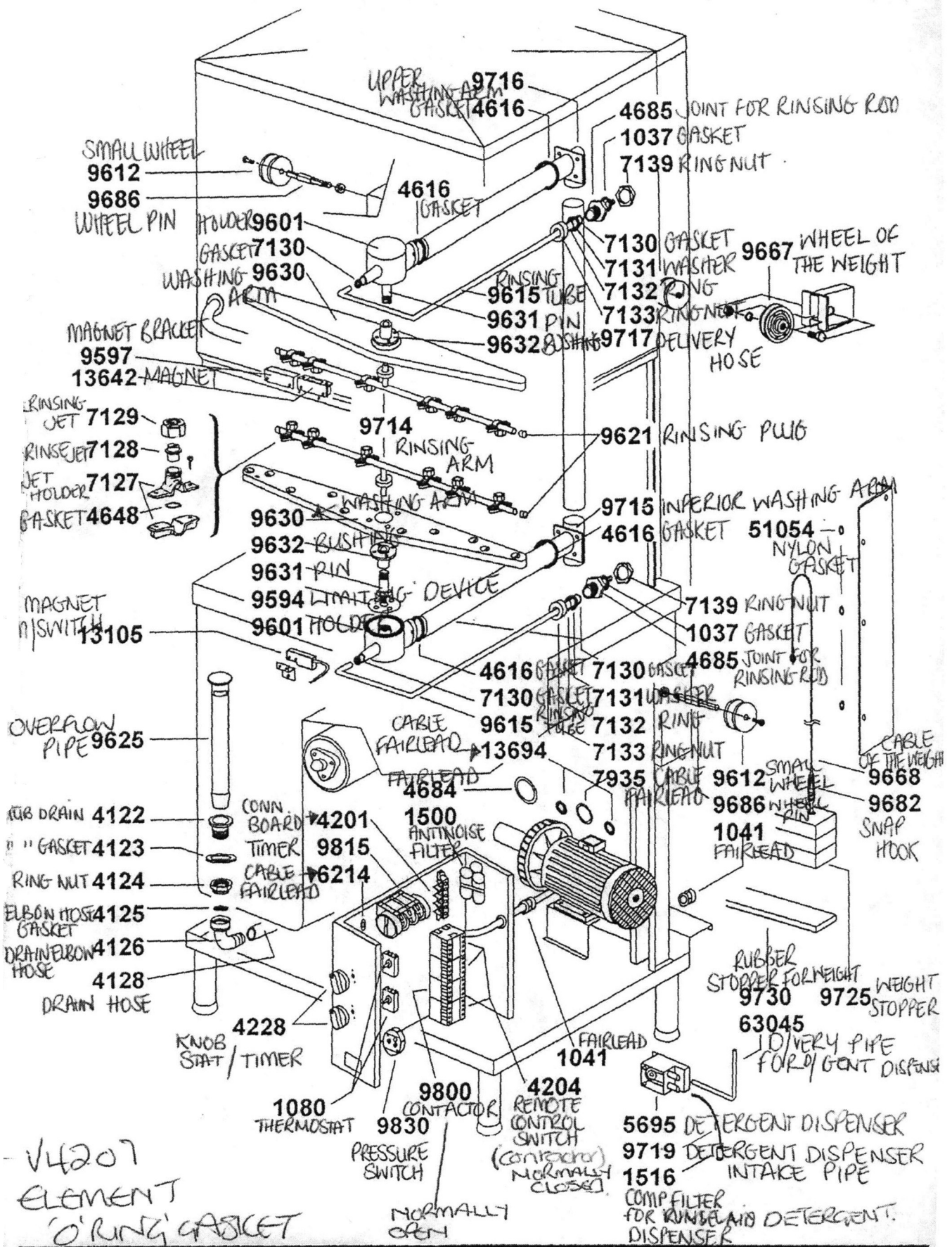
**Sales - Repairs - Spares**

**Tel: 029 20747567**

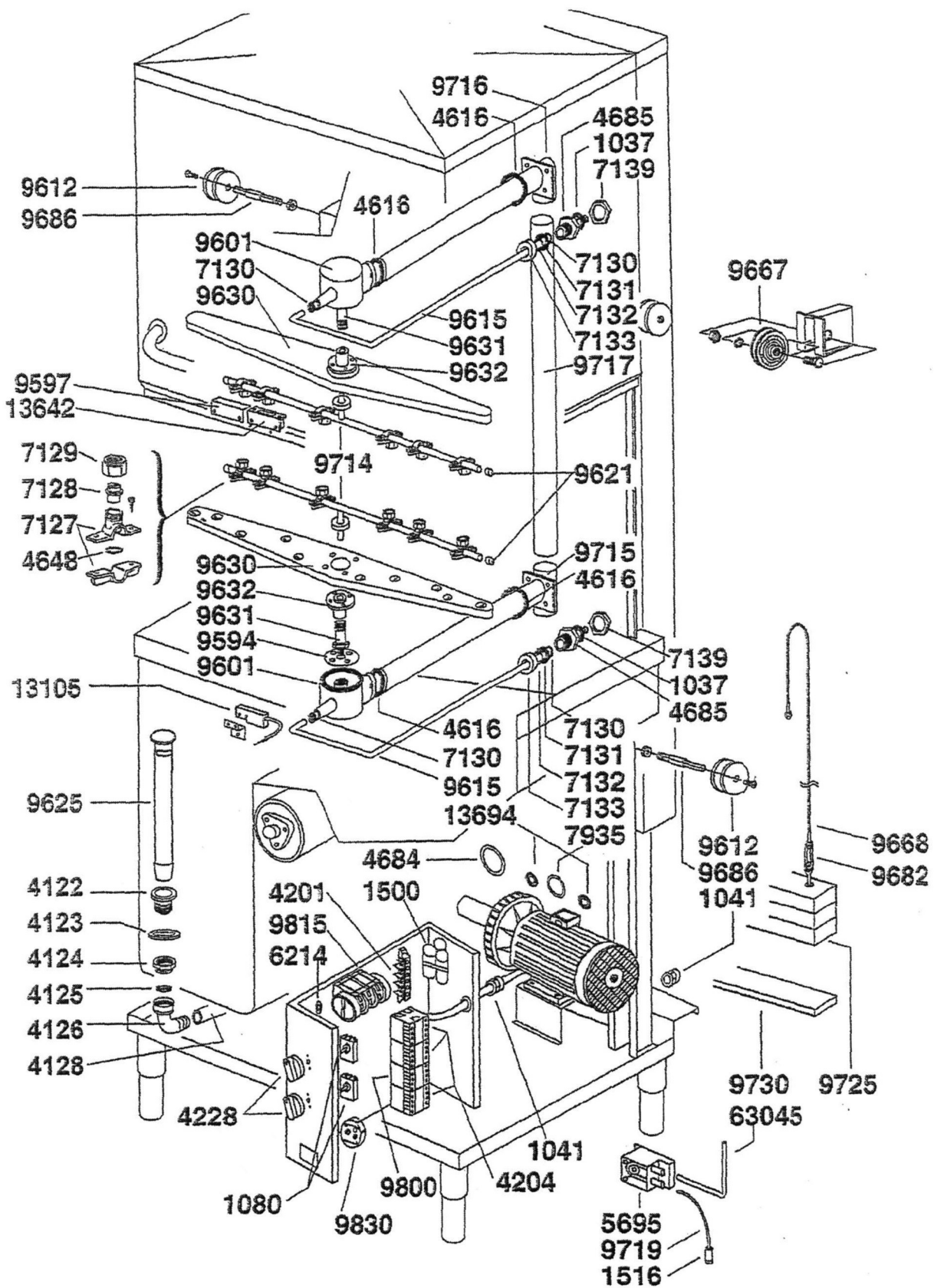
**Fax: 029 20214100**

**Email: [info@easicook.co.uk](mailto:info@easicook.co.uk)**

---



V4207  
 ELEMENT  
 O'RING GASKET



**MASTERWASH**

Modello  
Modelle  
Model  
Modell

V 45 - 55

Dis. N°EE.AT.009

Data  
Date  
Datum  
Date

01-10-98