

**easicook.co.uk**

**Spare Parts Manual**

**Leading UK Distributors  
of Catering Equipment Since 1977**

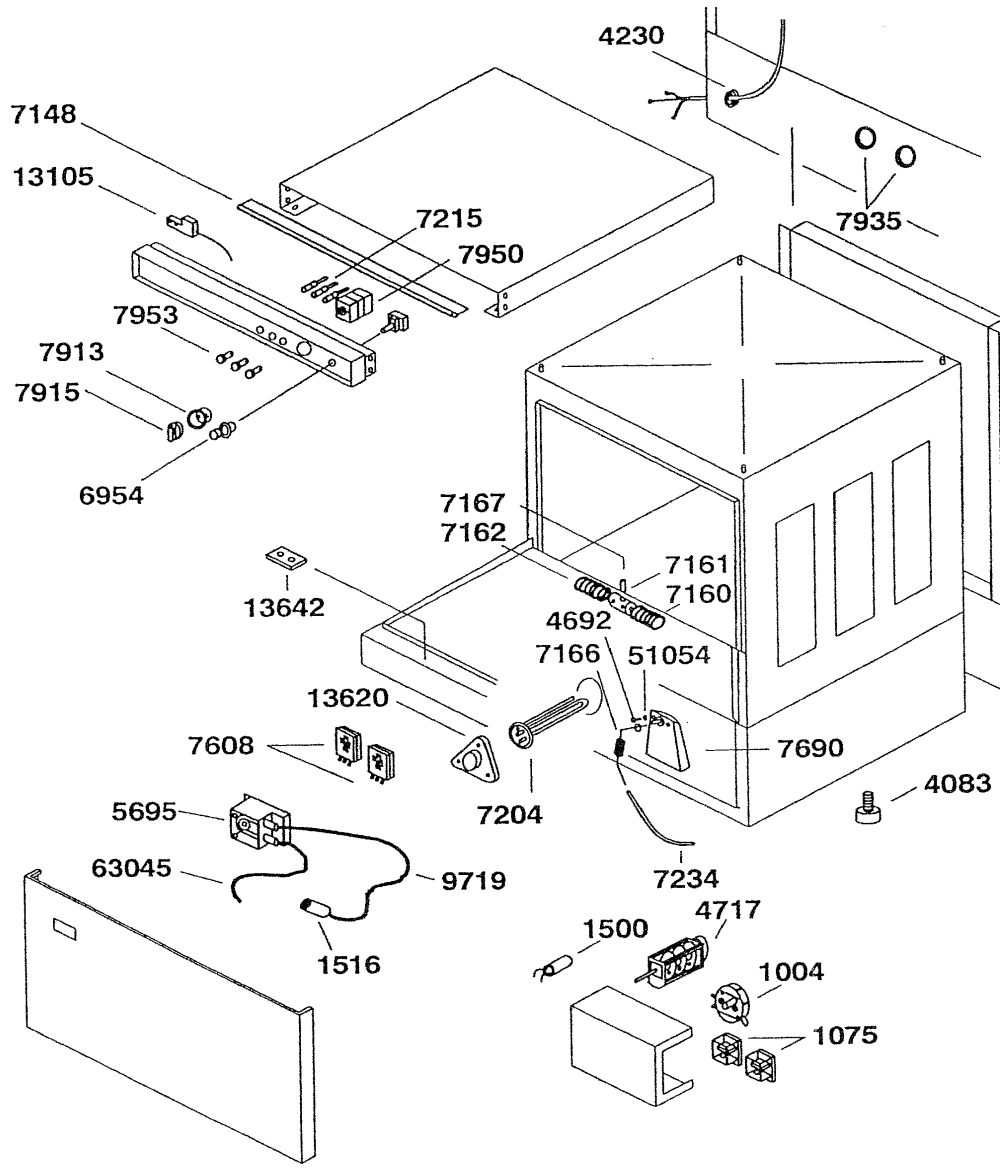
**Sales - Repairs - Spares**


**Tel: 029 20747567**

**Fax: 029 20214100**

**Email: [info@easicook.co.uk](mailto:info@easicook.co.uk)**

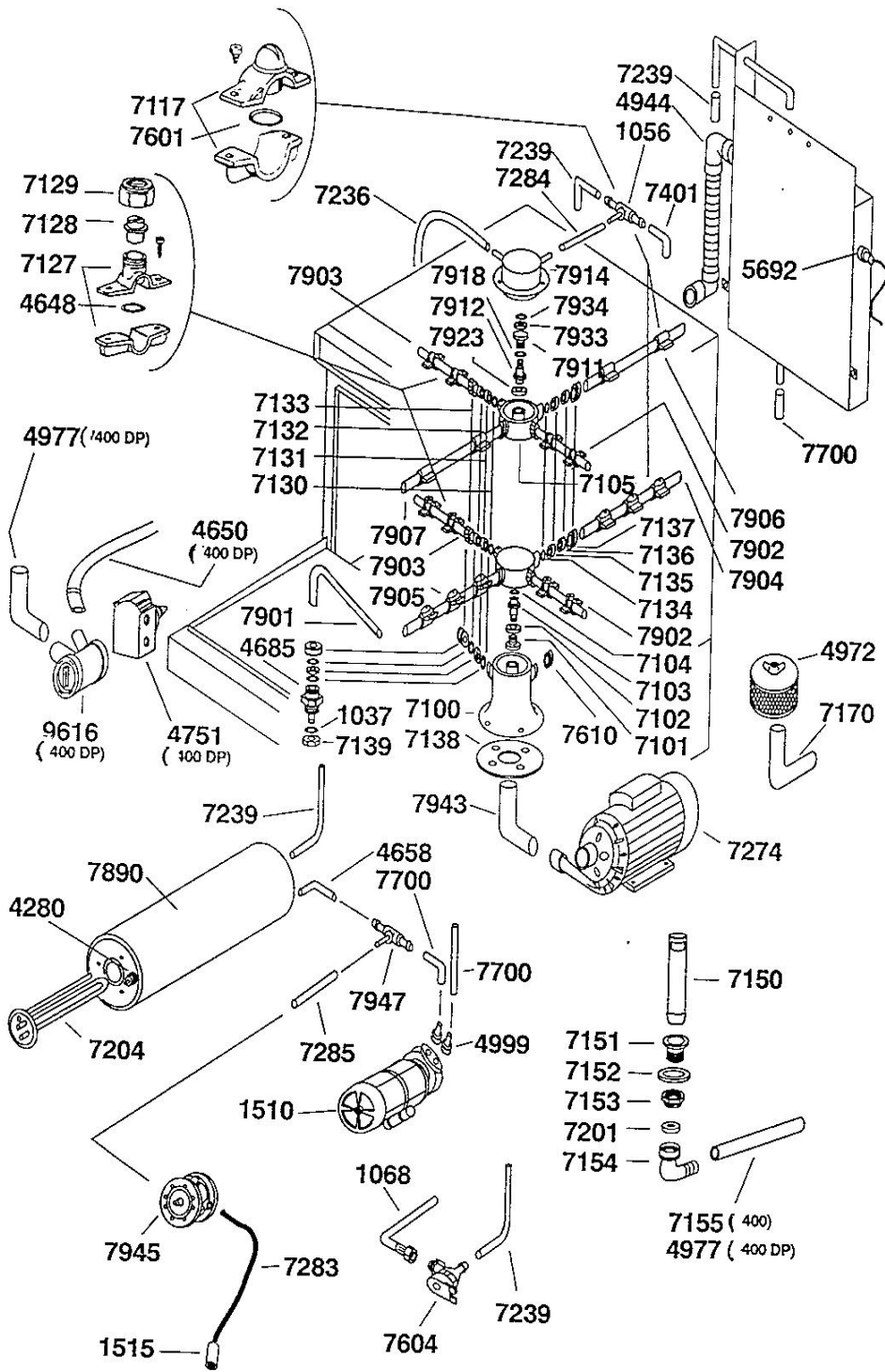
---




	Modello Modèle Model Model <b>400</b>	Dis. N° EE.AL.048
		Data Date Datum Date 17-02-99

**Part No Description**

1004	Low-Setting Pressure Switch
1075	Relay B1/2/220 Alternate Current
1500	Antinoise Filter
1516	Complete Filter for Rinse-Aid Dispenser
4083	Foot H.20 D30 x 10MA
4230	Cable Bushing
4692	O-Ring Gasket 6.07 x 1.78
4717	Timer
5695	Detergent Dispenser
6954	Start Push Button
7148	Door Sealing AL/A
7160	Right Twisting Spring D3mm
7161	Spring Stretcher D18
7162	Left Twisting Spring D3mm
7166	Spring of Level Control Hose
7167	Elastic Pin 3 x 22
7204	Heating Element
7215	Neon Warning Lamp
7234	Pressure Accumulator Hose
7608	Thermastat 90°
7690	Pressure Accumulator for Level Control
7913	Switch Support
7915	Mode Selector Knob
7935	Cable Fair Lead
7950	Main Switch
7953	Orange Lamp Holders
9719	Feeder Tube for Detergent Pump
13105	Magnet Microswitch
13620	Heating Element Cover
13642	Magnet
51054	Nylon OR Gasket 4 x 8
63045	Delivery Pipe of Detergent Dispenser





Modelo  
Modelo  
Modelo  
Modelo

# 400 - 400 DP

Dis. N° EM.AL.047

Doco  
Date  
Catum  
Cria

24-05-99

<b>Part No.</b>	<b>Description</b>	
1037	O-Ring Gasket 20 x.22 x 3.53	
1056	T-Junction (Boiler)	
1068	Filling-Hose with Gasket + Joints F+F	
1510 now 1511	Booster Pump on machines <b>After</b> 06/09/01	
1510 now 1530	Booster Pump on machines <b>Before</b> 06/09/01	
1510	Booster Pump	
4280	Contact Thermostat	
4648	Tub-Drain of Elbow Drain Hose AF	
4650	Bent Drain-Hose	
4658	T-Junction Tank	
4685	Joint for Rinsing Rod	
4751/4755	Drain Pump	
4944	Draining Hose	
4972	Intake Filter	
4977	Intake Pipe	
4999	Rubber Holder	
5692	Level Switch	
7100	Column of Rotary-Head	
7101	Tightening Ring for Rotary Head	
7102	Teflon Gasket 14.2x2x18.5	
7103	Rotary Head Fulcrum	
7104	Stainless-Steel Spacer D14x1	
7105	Rotary Head	
7117	Washing Jet	
7127	Rinsing Jet Holder	
7128	Slot-Shaped Rinse Jet	
7129	Nut of rinsing Jet	
7130	O-Ring Gasket 11.91 x 262	
7131	Washer 1/2" Gas	
7132	Ring D12 x 3	
7133	Ring Nut 1/2" GAS	
7134	O-Ring Gasket 17.86 x 2.62	
7135	Washer 3/4" GAS	
7136	Ring D18 x 3	
7137	Ring Nut 3/4" GAS	
7138	Column Gasket AL	
7139	Ring Nut 1/2" GAS	
7150	Overflow Pipe AL	
<b>7151 - See 6860</b>	<b>Drainage Ring Set</b>	
<b>7152 - See 6860</b>	<b>Gasket 34 x 57 x 1.5</b>	<b>Drainage set complete</b>
<b>7153 - See 6860</b>	<b>Ring Nut 1"</b>	<b>Part No. 6860</b>
<b>7154 - See 6860</b>	<b>Drain Elbow Hose 1" x 25</b>	
7155	Drain Hose 1cm 150 Male fitting + Female Diam 2	
7170	Intake Hose D.45	
7201	Joint	
7204	Heating Element	
7236	Upper Washing pipe AL40/AL41	
7239	Upper Rinsing Pipe AL45/AL46	
7274	Washing Pump 0.5HP	
7284	Hose from T-Junction to Solenoid Valve	
7285	Hose from T-Junction to Dispenser	
7401	Upper Rinse Tube	
7601	O-Ring Gasket	
7604	Single Valve	
7610	Ring Nut 3/4"	
7700	Rinsing Tube	
7890	Boiler for AL	
7901	Rinsing Delivery Hose	
7902	Right Rinsing Arm	
7903	Left Rinsing Arm	
7904	Right Lower Washing Arm	
7905	Left Lower Washing Arm	
7906	Right Upper Washing Arm	
7907	Left Upper Washing Arm	
7911	Ring Nut of Rotaring Head	
7912	Rotary Head Pin	
7914	Upper Column	
7918	Ball Bearing	
7923	Bushing	
7933	Sealing Ring 11x17x4	
7934	Stop Ring	
7943	Elbow Delivery Hose	
7945	Rinse Aid Dispenser N.6	
7947	Reduced T-Junction	
9616	Drain Filter	